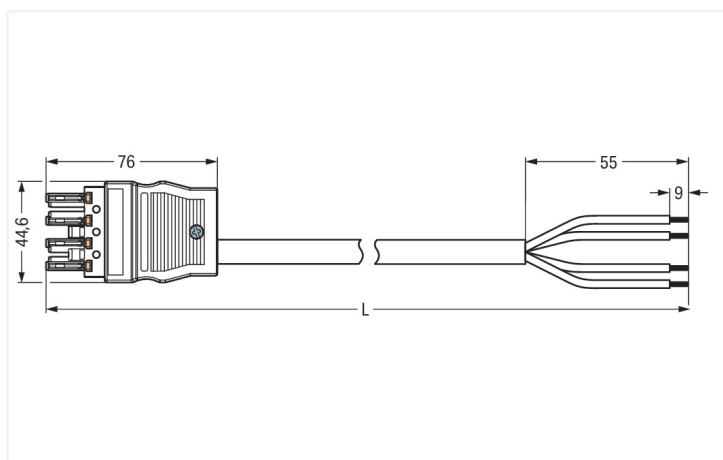
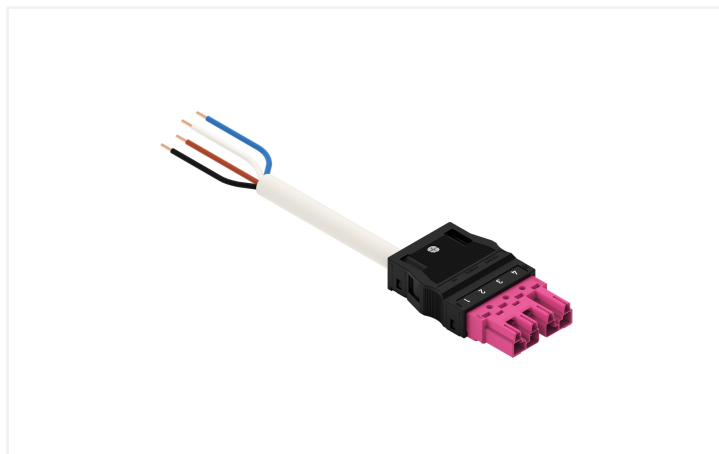
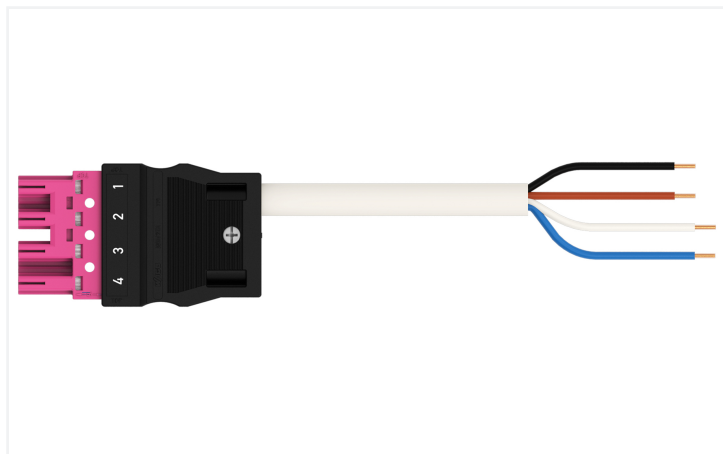


Data Sheet | Item Number: 771-5002/2022-501

pre-assembled connecting cable; Cca; Socket/open-ended; 4-pole; Cod. B; 5 m;
1,50 mm²

<https://www.wago.com/771-5002/2022-501>



Dimensions in mm

Cable assembly WINSTA® MIDI with protection type IP20

For signal and power transmission: The WINSTA® MIDI cable assembly with protection type IP20. WAGO pluggable installation connectors can be used when requirements repeat or are planned on a specified grid, for example for installing grid lighting or flush-mount lighting. The mechanical coding and color coding of the pluggable installation connector ensure error-free installation of the individual components – including protection against mismatching. The pluggable installation connector offers protection against contact with live components in accordance with protection type IP20 (When mated: IP2xC (These compact connectors are not designed for use in open, easily accessible areas!)). Solutions like the WINSTA® MIDI pluggable installation connectors with B coding are appropriate for process control, for example, for lighting or within data networks. The WINSTA® MIDI product line achieves total flexibility for the electrical installation. With its Push-in CAGE CLAMP® spring pressure connection technology, it ensures time-saving, error-free installation and offers flexibility for meeting all installation requirements. Mandatory compliance with fire protection regulations is an important issue for building installation. Especially in sensitive areas, the fire class must meet or even exceed legal requirements. This product complies with the requirements of fire class C.

Pluggable connections instead of screw connections – cable assemblies from WAGO

A socket and a free end are provided. The WINSTA® Pluggable Connection System allows pluggable electrical installation. This saves time, lowers costs, and reduces the need for servicing. Choose durability and quality – with fire class C from WAGO makes the installation of electrical components visibly easier.

- effective protection against mismatching
- simple circuits
- with B coding for controllers, for example lighting fixtures and sun blinds

- flexible installation to save space
- quick replacement of defective units during ongoing operation

Notes

General safety information

1. Only to be used by a qualified electrician or by a person electrically instructed for the task (EIP per DIN VDE 0105-100).
2. Do not install while energized or under load.
3. Use only for its intended purpose.
4. Observe applicable national regulations, standards and directives.
5. Observe the technical specifications of the products.
6. Ensure correct polarity assignment.
7. Do not use damaged or contaminated components.
8. Observe conductor types, conductor cross-sections, strip lengths and cable diameters.
9. Insert conductors up to the stop.
10. Use only with locking lever and strain relief.
11. Use original accessories only.

To be sold only with installation instructions!

Note

Cables with a different fire class can be found in the eShop.

Variants:

Other pole markings

Other versions (or variants) can be requested from WAGO Sales or configured at <https://configurator.wago.com/>.

Electrical data

Ratings per IEC/EN

| | |
|---|--|
| Ratings per | IEC/EN 60664-1 |
| Nominal voltage (III/3) | 400 V |
| Rated impulse withstand voltage (III / 3) | 6 kV |
| Rated current | 16 A |
| Legend (ratings) | (III / 3) Δ Overvoltage category III / Pollution degree 3 |

General information

| | |
|----------------------------|--|
| Note on contact resistance | approx. 1 m Ω of contact resistance approx. 0.25 m Ω contact transition plug/ socket |
|----------------------------|--|

Connection Data

| | |
|----------------------------|---------------------------|
| Total number of potentials | 4 |
| Conductor preparation | ultrasonically tip-bonded |

Connection 1

| | |
|---------------------------------|---------------------|
| Strip length | 9 mm / 0.35 inches |
| Pole number | 4 |
| Wire cross-section | 1.5 mm ² |
| Strip length (outer insulation) | 55 mm |
| Connection type | Socket - free end |

Physical data

| | |
|--------------|------------------------|
| Pin spacing | 10 mm / 0.394 inches |
| Width | 44.6 mm / 1.756 inches |
| Height | 17 mm / 0.669 inches |
| Total length | 5 m |

Mechanical data

| | |
|---|---|
| Use | Control technology |
| Coding | B |
| Variable coding | Yes |
| Marking | 1 2 3 4 |
| Potential marking | 1 2 3 4 |
| Mating force of a plug-in connection | approx. 20 ... 70 N (depending on pole number) |
| Retention force of a plug-in connection | when locked: > 80N |
| Unmating force of a plug-in connection | when unlocked: approx. 20 ... 70 N (depending on pole number) |
| Number of mating cycles | 200, without resistive load |
| Connection type | Socket - free end |
| Type of pre-assembled cable | Connecting cable |
| Cable type | Control line 4x1.5 |
| Protection type | IP20; When mated: IP2xC (These compact connectors are not designed for use in open, easily accessible areas!) |

Plug-in connection

| | |
|-------------------------------|--|
| Mismating protection | Yes |
| Note on mismating protection | All <i>WINSTA</i> ® components are 100% protected against mismating when: a.) plugging different numbers of poles b.) plugging while rotated 180 c.) plugging while laterally staggered d.) plugging one pole |
| Locking lever | Can be retrofitted |
| Locking of plug-in connection | Locking lever |
| Note on locking system | All connectors for mounted installations (snap-in versions for lighting fixtures or devices, all types of PCB and distribution connectors) are factory-equipped with locking levers to ensure plugs and sockets are securely locked. Additional locking levers are only required for flying leads (plug/socket). |

Material data

| | |
|----------------------------------|--|
| Note (material data) | Information on material specifications can be found here |
| Fire class per EN 50575 | C _{ca} |
| Contact material | Copper or copper alloy; surface-treated |
| Contact Plating | Tin |
| Fire load | 0.492 MJ |
| Connector color | pink |
| Strain relief color | black |
| Sheathed cable color | white |
| Printing color of sheathed cable | black |
| Halogen-free | No |
| Silicon-free | Yes |
| Sheath material | PVC |
| Rubber cable | No |
| Weight | 474.5 g |
| Copper weight of the raw cable | 0.058 kg/m |

Environmental requirements

| | |
|--|---|
| Processing temperature | -5 ... +40 °C |
| Continuous operating temperature | -35 ... +85 °C |
| Note on continuous operating temperature | Cable for temperatures ≤ 70 °C (including halogen-free) Insulating parts for temperatures ≤ 105 °C |

Commercial data

| | |
|-----------------------|---------------|
| PU (SPU) | 1 pcs |
| Packaging type | unpacked |
| Country of origin | PL |
| GTIN | 4066966432558 |
| Customs tariff number | 85444290900 |

Product Classification

| | |
|-----------|----------------------|
| UNSPSC | 26121629 |
| ETIM 9.0 | EC002587 |
| ETIM 10.0 | EC002587 |
| ECCN | NO US CLASSIFICATION |

Environmental Product Compliance

| | |
|------------------------|-------------------------|
| RoHS Compliance Status | Compliant, No Exemption |
|------------------------|-------------------------|

Downloads

Environmental Product Compliance

| | |
|---|--|
| Compliance Search | |
| Environmental Product Compliance 771-5002/2022-501 | |

1 Compatible Products

1.1 Required Accessories

1.1.1 Locking system

1.1.1.1 Locking system

| | | | |
|--|--|--|--|
| | | | |
| Item No.: 770-101 Locking lever; for flying leads; for manual operation; black | Item No.: 770-121 Locking lever; for flying leads; for manual operation; white | Item No.: 770-111 Locking lever; for flying leads; for tool operation; black | Item No.: 770-131 Locking lever; for flying leads; for tool operation; white |

1.2 Optional Accessories

1.2.1 Cover

1.2.1.1 Cover



Item No.: 770-201

Lockout cap; 12-pole, separable; for sockets; Plastic; black



Item No.: 770-221

Lockout cap; 12-pole, separable; for sockets; Plastic; white



Item No.: 770-360

Lockout cap; for plugs; 5-pole; separable; yellow

1.2.2 Installation

1.2.2.1 Mounting accessories



Item No.: 770-310

Mounting carrier; 2- to 5-pole; for flying leads; black

1.2.3 Marking

1.2.3.1 Marker



Item No.: 770-450/000-006

Marker card; Plastic; blue



Item No.: 770-450/000-001

Marker card; Plastic; green



Item No.: 770-450/000-012

Marker card; Plastic; orange



Item No.: 770-450/000-005

Marker card; Plastic; red



Item No.: 770-450

Marker card; Plastic; white



Item No.: 770-450/000-002

Marker card; Plastic; yellow

1.2.3.2 Marking strip



Item No.: 210-334

Marking strips; as a DIN A4 sheet; Strip width 5 mm; Strip length 182 mm; plain; Self-adhesive; white