



inventum

TECHNICAL FILE

MAXTANK Modul-AIR 100



B

ARTICLE NO. / DESCRIPTION	CAPACITY	TYPE	MODEL	INSTALLATION
30002000 / INV-HPB 100 M.A.	100L	PRESSURIZED	HEAT PUMP BOILER - M.A.	FLOOR STANDING

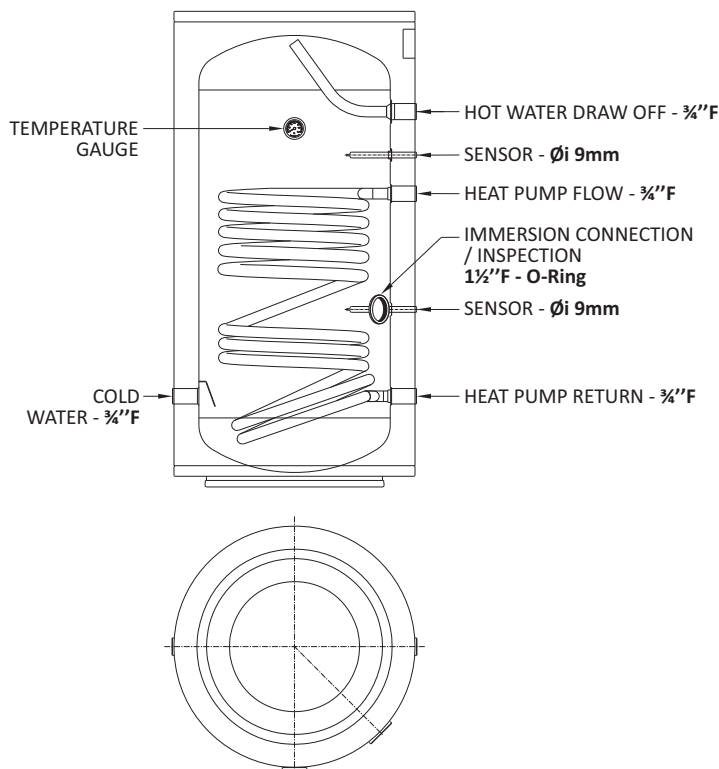
version.5

constructive specifications

capacity	100L
tank material	RVS / stainless steel AISI 444 (EN 1.4521)
thermal insulation	PUR / polyurethane foam 50mm thickness, CFC-Free and HCFC-Free
casing	painted galvanized carbon steel DX51D
temperature gauge	0 - 120°C
coils material and connections	RVS / stainless steel AISI 316L
coil surface area	0,63m ²
coil kW rating output 85/60°C	51kW
max. operating pressure	8bar (0,8MPa)
test pressure	12bar (1,2MPa)
maximum working temperature	90°C
heating element (optional)	immersion connection 1½" with O-ring
weight (empty / full)	38kg / 140kg
heat losses	47W (EN 12897)
ErP class	B
Internal Code	68.100.HPI.03

connections and dimensions

connections



dimensions

