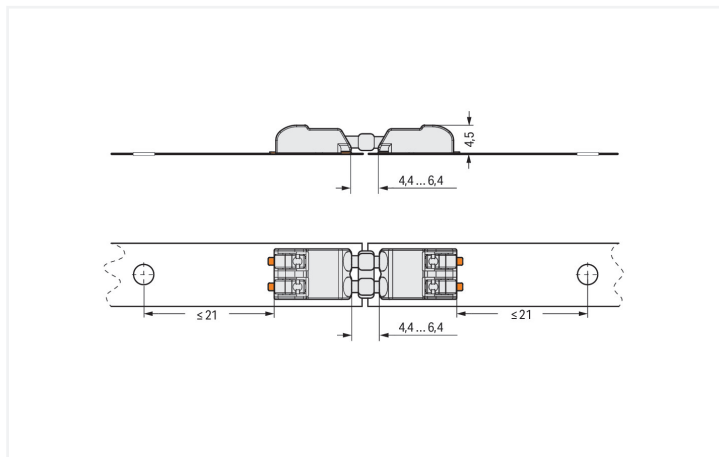


Data Sheet | Item Number: 2060-952/028-004

Board-to-Board Link; Pin spacing 4 mm; 2-pole; Length: 28 mm; black

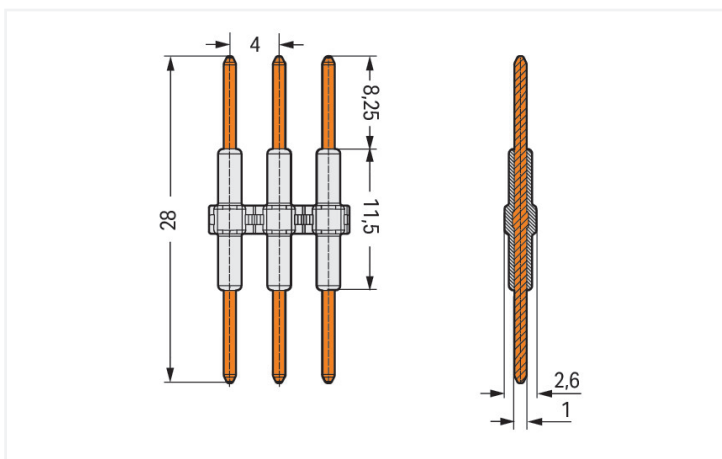
<https://www.wago.com/2060-952/028-004>



Color: ■ black

Similar to illustration

Dimensions in mm



Dimensions in mm

- Board-to-board links simplify LED module assembly
- Easy push-in connection and disconnection

Notes

Safety Information

Notice: Only suitable for 2060-45x, not for 2060-40x.

Electrical data

| Ratings per | IEC/EN 60664-1 | | |
|---------------------------------|----------------|--------|--------|
| Overvoltage category | III | III | II |
| Pollution degree | 3 | 2 | 2 |
| Nominal voltage | 63 V | 160 V | 320 V |
| Rated impulse withstand voltage | 2.5 kV | 2.5 kV | 2.5 kV |
| Rated current | 9 A | 9 A | 9 A |

| | |
|---------------|---------|
| Approvals per | UL 1977 |
| Rated voltage | 250 V |
| Rated current | 9 A |

Connection Data

| | | | |
|----------------------------|---|---------------------|---|
| Total number of potentials | 2 | Connection 1 | |
| | | Pole number | 2 |

Physical data

| | |
|-------------|-----------------------|
| Pin spacing | 4 mm / 0.157 inches |
| Width | 7.4 mm / 0.291 inches |
| Height | 2.6 mm / 0.102 inches |
| Depth | 28 mm / 1.102 inches |

Mechanical data

| | |
|-------------------------|---|
| Mating cycles (max.) | 10 |
| Number of mating cycles | 10 connections/disconnections (max.) |
| Suitable | for SMD PCB terminal blocks (2060 Series) |

Material data

| | |
|------------------------------------|--|
| Note (material data) | Information on material specifications can be found here |
| Color | black |
| Material group | I |
| Insulation material (main housing) | Polyamide (PA66) |
| Flammability class per UL94 | V0 |
| Contact material | Copper alloy |
| Contact Plating | Silver |
| Fire load | 0 MJ |
| Weight | 0.5 g |

Environmental requirements

| | | | |
|-------------------------|-----------------|---|--|
| Limit temperature range | -60 ... +105 °C | Environmental Testing | |
| | | Test specification: Railway applications – Rolling stock – Electronic equipment | DIN EN 50155 (VDE 0115-200):2022-06 |
| | | Test procedure: Railway applications – Rolling stock equipment – Vibration and shock tests | DIN EN 61373 (VDE 0115-0106):2011-04 |
| | | Spectrum/Mounting location | Service life test, Category 1, Class A/B |
| | | Functional test with noise-like oscillations | Test passed according to Section 8 of the standard |
| | | Frequency | $f_1 = 5 \text{ Hz}$ to $f_2 = 150 \text{ Hz}$ |
| | | Acceleration | 0.101g (highest test level used for all axes) |
| | | Test duration per axis | 10 min. |
| | | Test directions | X, Y and Z axes |
| | | Monitoring of contact faults and interruptions | Passed |
| | | Voltage drop measurement before and after each axis | Passed |
| | | Simulated service life test through increased levels of noise-like oscillations | Test passed according to Section 9 of the standard |
| | | Frequency | $f_1 = 5 \text{ Hz}$ to $f_2 = 150 \text{ Hz}$ |
| | | Acceleration | 0.572g (highest test level used for all axes) |
| | | Test duration per axis | 5 h |

| Environmental Testing | |
|---|---|
| Test directions | X, Y and Z axes |
| Extended testing: Monitoring of contact faults and interruptions | Passed |
| Extended testing: Voltage drop measurement before and after each axis | Passed |
| Shock test | Test passed according to Section 10 of the standard |
| Shock pulse form | Half sine |
| Acceleration | 5g (highest test level used for all axes) |
| Shock duration | 30 ms |
| Number of shocks (per axis) | 3 pos. und 3 neg. |
| Test directions | X, Y and Z axes |
| Extended testing: Monitoring of contact faults and interruptions | Passed |
| Extended testing: Voltage drop measurement before and after each axis | Passed |
| Vibration and shock stress for rolling stock equipment | Passed |

| Commercial data | |
|-----------------------|---------------|
| PU (SPU) | 500 pcs |
| Packaging type | Box |
| Country of origin | CN |
| GTIN | 4055143959940 |
| Customs tariff number | 85369010000 |

| Product Classification | |
|------------------------|----------------------|
| UNSPSC | 39121409 |
| ETIM 9.0 | EC002848 |
| ETIM 10.0 | EC002848 |
| ECCN | NO US CLASSIFICATION |

| Environmental Product Compliance | |
|----------------------------------|-------------------------|
| RoHS Compliance Status | Compliant, No Exemption |

Approvals / Certificates

Declarations of conformity and manufacturer's declarations



| Approval | Standard | Certificate Name |
|-------------------------------|----------|------------------|
| Railway WAGO GmbH & Co. KG | - | Z00004396.000 |

Downloads

Environmental Product Compliance

Compliance Search

Environmental Product Compliance
2060-952/028-004



Documentation

Additional Information

Technical Section

03.04.2019

pdf

2027.26 KB



CAD/CAE-Data

CAD data

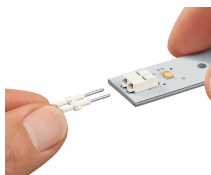
2D/3D Models

2060-952/028-004



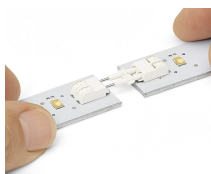
Installation Notes

Installation



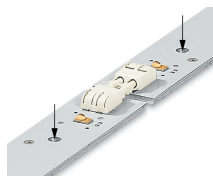
Inserting a board-to-board link into the terminal block.

Installation



Assembly: Place PCBs on a flat surface and connect terminal blocks on adjoining PCBs via board-to-board link.
Disassembly: Pull PCBs apart (max. 10 mating cycles).

Installation



The PCBs must be secured.