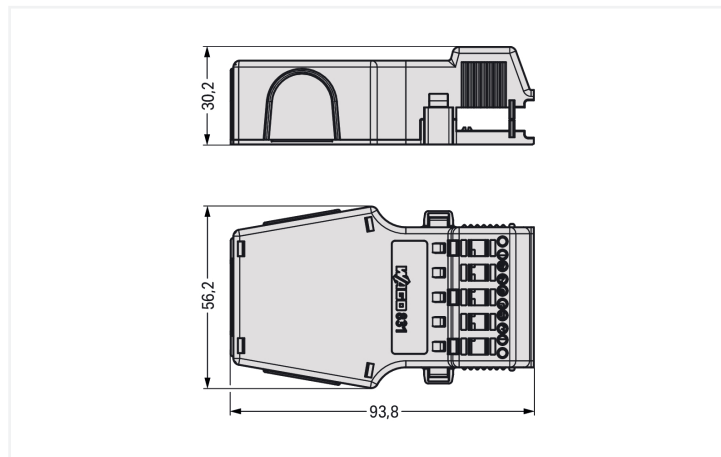
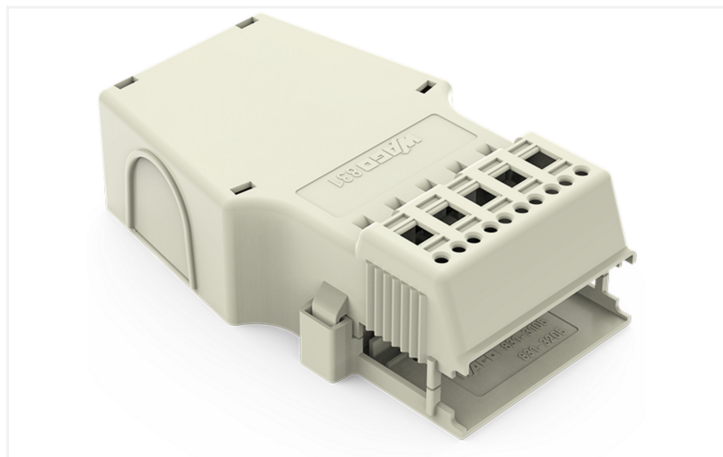


Data Sheet | Item Number: 831-3025

Strain relief housing; for female and male connectors; 4 parts; 5-pole; light gray

<https://www.wago.com/831-3025>



Color: ■ light gray

Similar to illustration

Dimensions in mm

Material data

Note (material data)	Information on material specifications can be found here
Color	light gray
Insulation material (main housing)	Polyamide (PA66)
Flammability class per UL94	V0
Fire load	0.863 MJ
Weight	34.2 g

Environmental requirements

Processing temperature	-35 ... +60 °C
------------------------	----------------

Commercial data

Product Group	3 (Multi Conn. System)
PU (SPU)	5 pcs
Packaging type	Box
Country of origin	PL
GTIN	4045454879730
Customs tariff number	39269097900


Product Classification

UNSPSC	39121421
ETIM 9.0	EC002848
ETIM 10.0	EC002848
ECCN	NO US CLASSIFICATION

Environmental Product Compliance	
RoHS Compliance Status	Compliant, No Exemption

Downloads

Environmental Product Compliance

Compliance Search	
Environmental Product Compliance 831-3025	

Documentation

Additional Information			
Technical Section	03.04.2019	pdf 2027.26 KB	