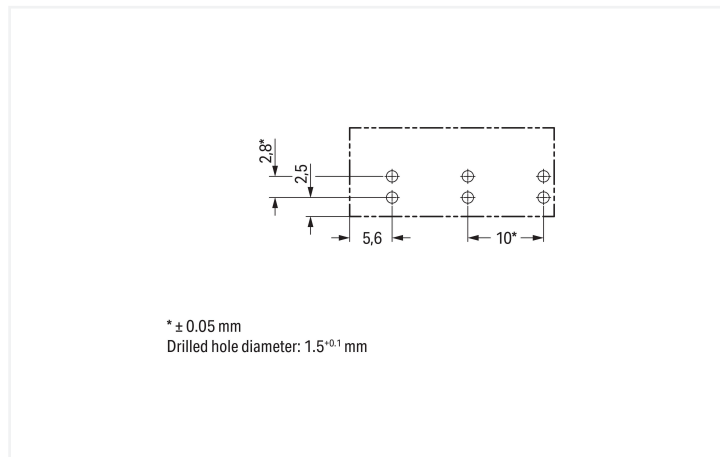
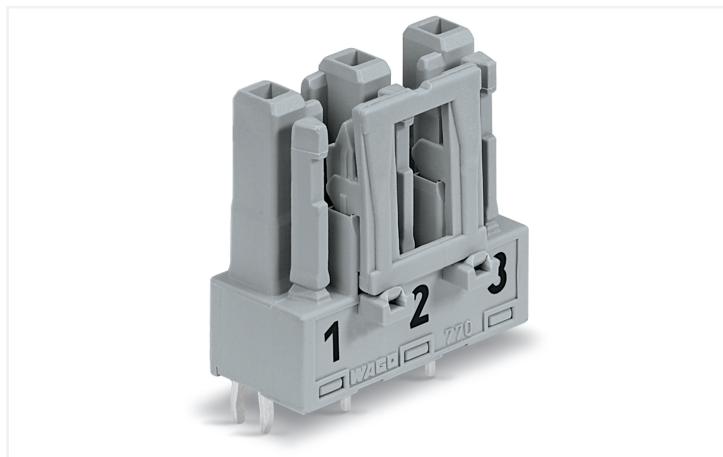


# Data Sheet | Item Number: 770-843/060-000

Socket for PCBs; straight; 3-pole; Cod. B; gray

<https://www.wago.com/770-843/060-000>

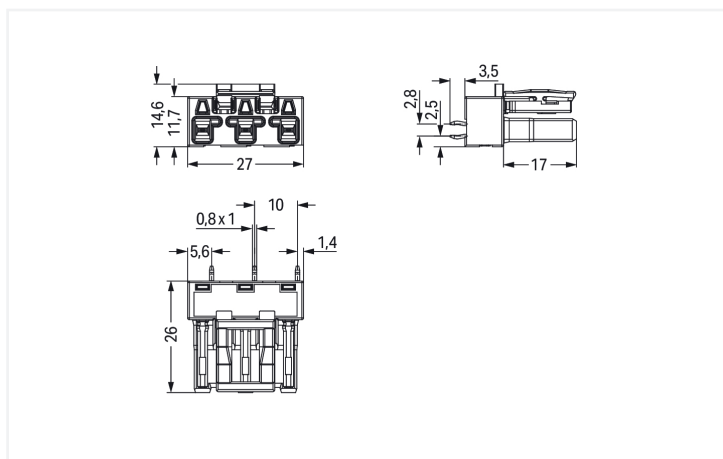


\* ± 0.05 mm  
Drilled hole diameter: 1.5<sup>+0.1</sup> mm

Color: ■ gray

Similar to illustration

Dimensions in mm



Dimensions in mm

Female connector/socket WINSTA® MIDI rated current 25 A

WAGO has various connection solutions for any challenge in building installation, for example, the WINSTA® MIDI female connector/socket. Our pluggable PCB connectors give you a universal pluggable connection system for your devices that meets all the requirements for a stable device connection that is easy to put into operation. For greater protection in electrical installations, the pcb connectors is equipped with mechanical protection against mismatching. Solutions like the WINSTA® MIDI pcb connectors with B coding are appropriate for applications involving process control, for example, for lighting or within data networks. This pcb connectors is used for electrical currents up to 25 A. Thus the product is ideally suitable for high power loads. WINSTA® MIDI with Push-in CAGE CLAMP® spring pressure connection technology is found in can be found in a variety of projects you can use for quick, easy and maximally flexible installation.

Lower costs through fast commissioning and elimination of service expenses – solutions from WINSTA® MIDI

WINSTA® is the pluggable connection system that is ideally tailored to the strict requirements of electrical installation. It allows error-free installation of cables and components, quickly and reliably. Now you can also lower installation costs without compromising safety and quality: with protection against mismatching eliminates the need for servicing and prevents unnecessary downtime.

- effective protection against mismatching
- pre-assembled versions
- with B coding for use in process automation, such as lighting technology
- fast, secure installation

## Notes

|           |   |
|-----------|---|
| Variants: | Other pole markings<br>Other versions (or variants) can be requested from WAGO Sales or configured at <a href="https://configurator.wago.com/">https://configurator.wago.com/</a> . |
|-----------|---|

## Electrical data

| Ratings per                     | IEC/EN 60664-1 |     |    | Approvals per | UL 1977 |
|---------------------------------|----------------|-----|----|---------------|---------|
| Overtoltage category            | III            | III | II | Rated voltage | 600 V   |
| Pollution degree                | 3              | 2   | 2  | Rated current | 23 A    |
| Nominal voltage                 | 250 V          | -   | -  |               |         |
| Rated impulse withstand voltage | 4 kV           | -   | -  |               |         |
| Rated current                   | 25 A           | -   | -  |               |         |

## General information

|                            |  |
|----------------------------|--|
| Note on contact resistance | approx. 1 mΩ of contact resistance<br>approx. 0.25 mΩ contact transition plug/<br>socket |
|----------------------------|--|

## Connection Data

|                            |   |                     |
|----------------------------|---|---------------------|
| Total number of potentials | 3 | <b>Connection 1</b> |
|                            |   | Pole number         |
|                            |   | 3                   |

## Physical data

|                                      |                                   |
|--------------------------------------|-----------------------------------|
| Pin spacing                          | 10 mm / 0.394 inches              |
| Width                                | 27 mm / 1.063 inches              |
| Height                               | 29.5 mm / 1.161 inches            |
| Height from the surface              | 26 mm / 1.024 inches              |
| Depth                                | 14.6 mm / 0.575 inches            |
| Solder pin length                    | 3.5 mm                            |
| Solder pin dimensions                | 1 x 0.8 mm                        |
| Drilled hole diameter with tolerance | 1.5 <sup>(-0.1 ... +0.1)</sup> mm |

## Mechanical data

|   |  |
|---|--|
| Use                                     | Control technology                                       |
| Coding                                  | B  |
| Variable coding                         | Yes  |
| Marking                                 | L ⊕ N  |
| Potential marking                       | L ⊕ N  |
| Mating force of a plug-in connection    | approx. 20 ... 70 N (depending on pole number)           |
| Retention force of a plug-in connection | Locked: > 80 N   |
| Unmating force of a plug-in connection  | Unlocked: approx. 20 ... 70 N (depending on pole number) |
| Number of mating cycles                 | 200, without resistive load                              |
| Design                                  | straight   |

### Plug-in connection

|                                    |  |
|------------------------------------|--|
| Contact type (pluggable connector) | Female connector/socket  |
| Connector (connection type)        | for PCB  |
| Mismating protection               | Yes  |
| Note on mismating protection       | All WINSTA® components are 100% protected against mismating when:<br>a.) plugging different numbers of poles<br>b.) plugging while rotated 180<br>c.) plugging while laterally staggered<br>d.) plugging one pole  |
| Mating direction to the PCB        | 90 °   |
| Locking lever                      | Yes  |
| Locking of plug-in connection      | Locking lever  |
| Note on locking system             | All connectors for mounted installations (snap-in versions for lighting fixtures or devices, all types of PCB and distribution connectors) are factory-equipped with locking levers to ensure plugs and sockets are securely locked. Additional locking levers are only required for flying leads (plug/socket). |

### PCB contact

|                                     |                            |
|-------------------------------------|----------------------------|
| PCB contact                         | THT                        |
| Solder pin arrangement              | 2 in-line solder pins/pole |
| Number of solder pins per potential | 2                          |

### Material data

|                                    |  |
|------------------------------------|--|
| Note (material data)               | <a href="#">Information on material specifications can be found here</a> |
| Color                              | gray   |
| Insulation material (main housing) | Polyamide (PA66)   |
| Flammability class per UL94        | V0   |
| Clamping spring material           | Chrome-nickel spring steel (CrNi)  |
| Contact material                   | Copper or copper alloy; surface-treated                                  |
| Contact Plating                    | Tin  |
| Fire load                          | 0.124 MJ   |
| Weight                             | 6.4 g  |

### Environmental requirements

|  |  |
|--|--|
| Processing temperature                   | -5 ... +40 °C                              |
| Continuous operating temperature         | -35 ... +85 °C                             |
| Note on continuous operating temperature | Insulating parts for temperatures ≤ 105 °C |

### Commercial data

|                       |               |
|-----------------------|---------------|
| PU (SPU)              | 100 pcs       |
| Packaging type        | Box           |
| Country of origin     | PL            |
| GTIN                  | 4050821553212 |
| Customs tariff number | 85366990990   |

**Product Classification**

|             |                      |
|-------------|----------------------|
| UNSPSC      | 39121409             |
| eCl@ss 10.0 | 27-44-06-05          |
| eCl@ss 9.0  | 27-44-06-05          |
| ETIM 9.0    | EC002637             |
| ETIM 10.0   | EC002637             |
| ECCN        | NO US CLASSIFICATION |

**Environmental Product Compliance**

|                        |                         |
|------------------------|-------------------------|
| RoHS Compliance Status | Compliant, No Exemption |
|------------------------|-------------------------|

**Approvals / Certificates**

**General approvals**



| Approval                                   | Standard | Certificate Name |
|--|----------|------------------|
| cURus<br>Underwriters Laboratories<br>Inc. | UL 1977  | E45171           |

**Downloads**

**Environmental Product Compliance**

| Compliance Search                                   |
|---|
| Environmental Product Compliance<br>770-843/060-000 |

**CAD/CAE-Data**

| CAD data                        |
|---------------------------------|
| 2D/3D Models<br>770-843/060-000 |

| CAE data                        |
|---------------------------------|
| ZUKEN Portal<br>770-843/060-000 |

**1 Compatible Products**

**1.1 System counterpart**

**1.1.1 Male connector/plug**



[Item No.: 770-253/060-000](#)  
Plug; 3-pole; Cod. B; 4,00 mm<sup>2</sup>; gray

## 1.2 Required Accessories

### 1.2.1 Cover

#### 1.2.1.1 Cover



**Item No.: [770-201](#)**

Lockout cap; 12-pole, separable; for sockets; Plastic; black

**Item No.: [770-221](#)**

Lockout cap; 12-pole, separable; for sockets; Plastic; white