



33 500 710 Product version from 3/31/2009 to 5/15/2020

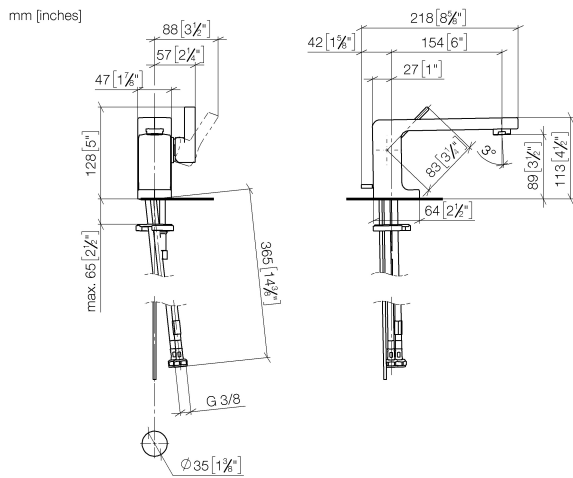


- 155mm projection
- fixed spout
- circular, air-enriched flow
- height of mixer 113 mm
- height up to aerator 90 mm
- hole diameter 35 mm
- 2x screw-in M 8 x 1 pressure hose, leak-tested
- max. flow 7 l/min
- lead-free
- WRAS
- This product can help a building meet the requirements of Green Building Rating Systems, e.g. LEED®, BREEAM®, DGNB

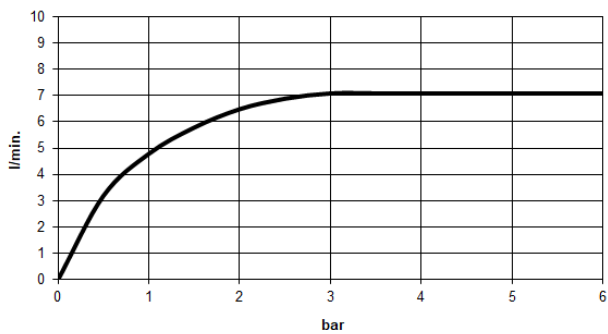
Only suitable for basins with an overflow.

	Chrome	33 500 710-00
	Brushed Platinum	33 500 710-06

33 500 710 Product version from 3/31/2009 to 5/15/2020



Flow rate chart



Codes & Standards

DIN 4109	EN 817	Executive Order no. 1007	ISO 3822
Scottish Water Byelaws	UK Water Supply Regulations	Ü-Zeichen	VA-Zeichen



## LULU Single-lever basin mixer with pop-up waste - Chrome

LULU

33 500 710 Product version from 3/31/2009 to 5/15/2020

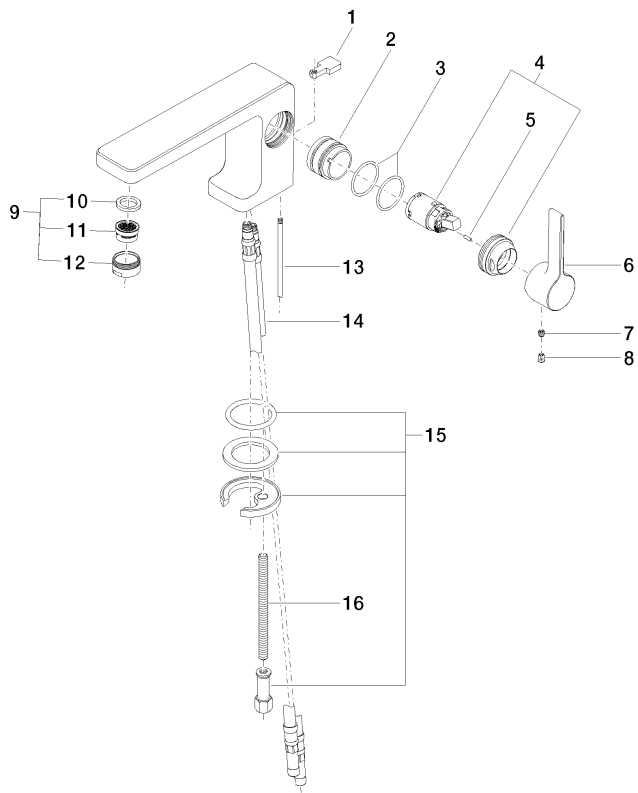
### Certificates and sustainability

LGA\_9

GDV\_0400

ETA\_18

EPD-DOR-20230287 WRAS\_251102  
-IBA1-EN  
Environmental.prod  
uct-declarat



17 Abwulfgarnitur 04.11.01.001.00-ff