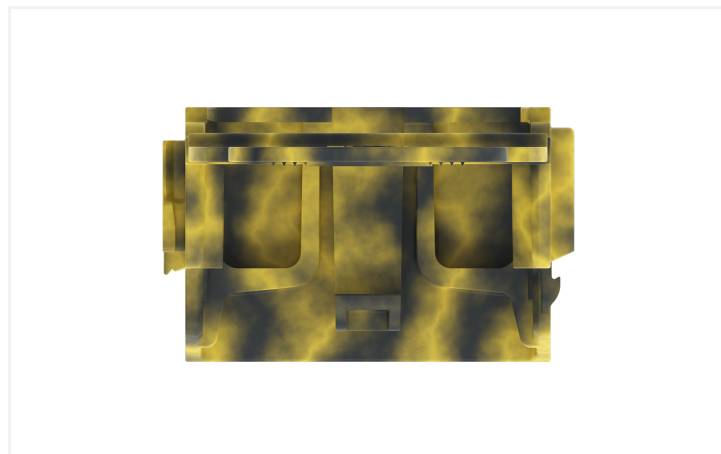
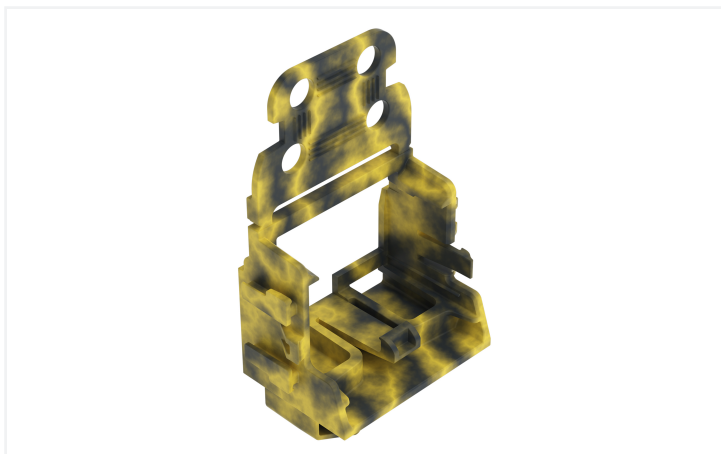


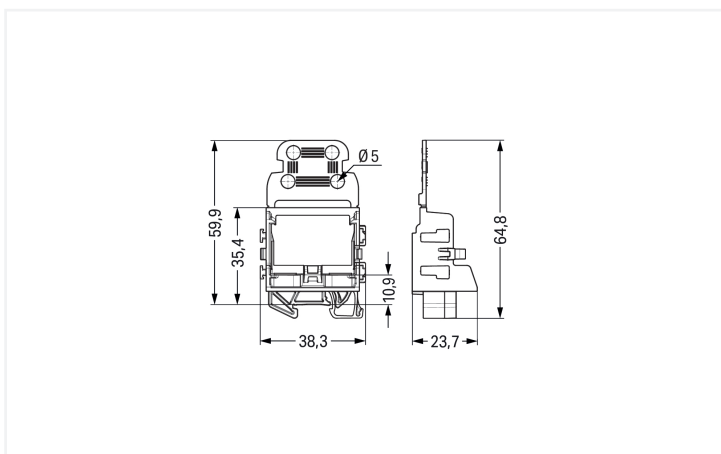
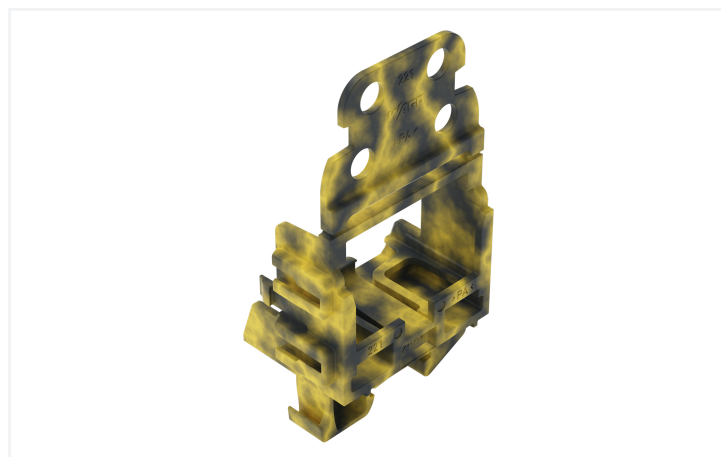
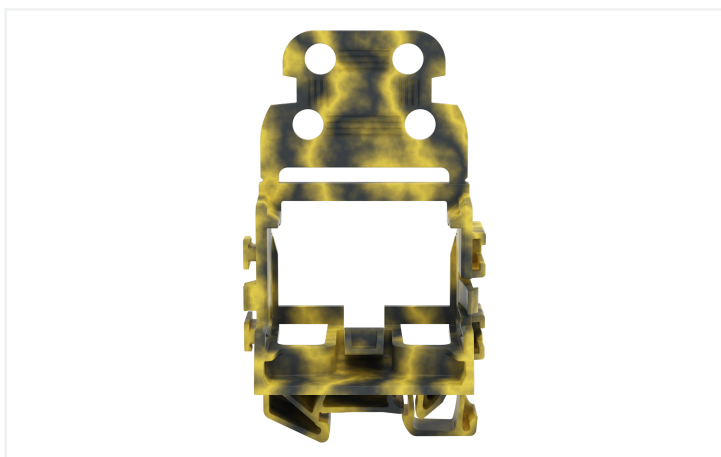
Data Sheet | Item Number: 221-539/000-053

Mounting carrier with strain relief; for 10-wire connectors; 221 Series - 4 mm²; for DIN-15 rail; dark gray-yellow

<https://www.wago.com/221-539/000-053>



Color: ■ dark gray/yellow



Physical data

Width	38.3 mm / 1.508 inches
Height	23.7 mm / 0.933 inches
Depth from upper-edge of DIN-rail	59.9 mm / 2.358 inches
Depth	64.8 mm / 2.551 inches

Mechanical data

Mounting type	Snapping on
Mounting type	DIN-15 rail
Suitable	for 10-wire connectors (4 mm ²)

Material data

Note (material data)	Information on material specifications can be found here
Color	dark gray/yellow
Material group	I
Insulation material (main housing)	Polyamide (PA66)
Flammability class per UL94	V0
Fire load	0.223 MJ
Weight	7.4 g

Commercial data

PU (SPU)	10 pcs
Packaging type	Box
Country of origin	CN
GTIN	4066966603590
Customs tariff number	39269097900

Product Classification

UNSPSC	39121421
ETIM 9.0	EC002848
ETIM 10.0	EC002848
ECCN	NO US CLASSIFICATION

Environmental Product Compliance

RoHS Compliance Status	Compliant, No Exemption
------------------------	-------------------------

Downloads

Environmental Product Compliance

Compliance Search

Environmental Product
Compliance
221-539/000-053



CAD/CAE-Data

CAD data

2D/3D Models
221-539/000-053



1 Compatible Products

1.1 Optional Accessories

1.1.1 Marking

1.1.1.1 Marking strip



Item No.: 210-833

Marking strips; 25 m on roll; 6 mm wide;
plain; Self-adhesive; white