



Extension 28 mm -

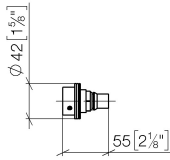
SERIES-VARIOUS

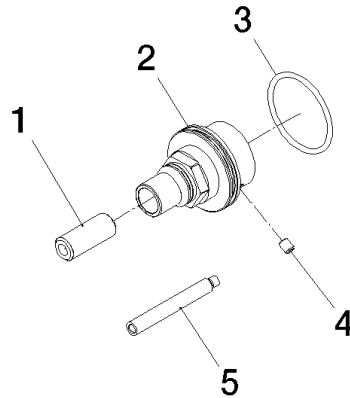
12 177 970 90 Product version from 5/1/2014

for xTOOL thermostat modules 35 503 / 511 / 521 /
531 / 524 / 534 970 90

12 177 970 90 Product version from 5/1/2014

mm [inches]





Spare parts list

No.	Item Number	Name	Quantity used	Delivery time
3	09 14 10 038 90	O-Ring EPDM 70 37,0 x 2,5 mm -	1.00	14
4	09 31 11 079 90	Mounting Threaded pin with hexagon socket with chamfered end M5 x 6 mm -	1.00	14
2	09 21 02 110 90	Extension Ø 42 x 54,5 mm -	1.00	14
1	09 21 02 111 90	Connection Pressure piece 28mm Ø 12 x 30 mm -	1.00	14
5	90 31 09 095 00 90	Rod -	1.00	14