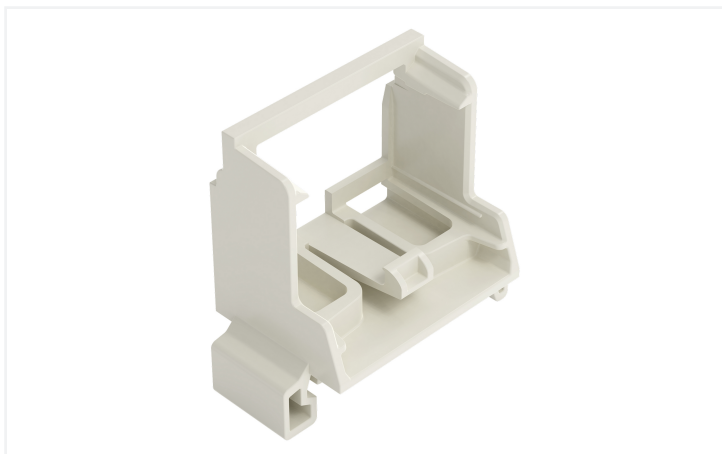


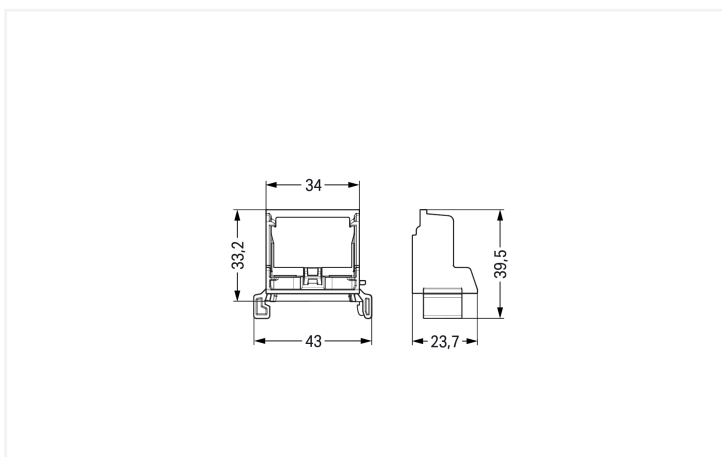
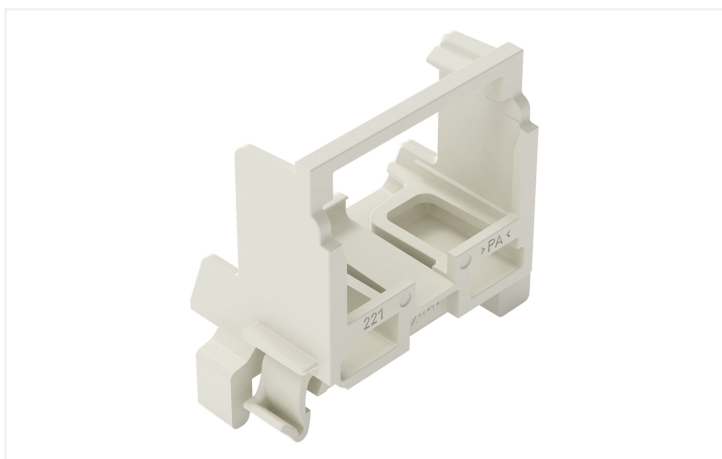
Data Sheet | Item Number: 221-549/1002-000

Mounting carrier; for 10-wire connectors; 221 Series - 4 mm²; for DIN-35 rail; for Ex applications; light gray

<https://www.wago.com/221-549/1002-000>



Color: ■ light gray



Physical data

Width	43 mm / 1.693 inches
Height	23.7 mm / 0.933 inches
Depth from upper-edge of DIN-rail	57.7 mm / 2.272 inches
Depth	64 mm / 2.52 inches

Mechanical data

Mounting type	Snapping on
Mounting type	DIN-35 rail
Suitable	for 10-wire connectors (4 mm ²)

Material data

Note (material data)	Information on material specifications can be found here
Color	light gray
Material group	I
Insulation material (main housing)	Polyamide (PA66)
Flammability class per UL94	V0
Fire load	0.173 MJ
Weight	5.8 g

Commercial data

PU (SPU)	10 pcs
Packaging type	Box
Country of origin	CN
GTIN	4066966604009
Customs tariff number	39269097900

Product Classification

UNSPSC	39121410
ETIM 9.0	EC002848
ETIM 10.0	EC002848
ECCN	NO US CLASSIFICATION

Environmental Product Compliance

RoHS Compliance Status	Compliant, No Exemption
------------------------	-------------------------

Approvals / Certificates

Approvals for hazardous areas



Approval	Standard	Certificate Name
ATEX Physikalisch Technische Bundesanstalt	EN IEC 60079-0	PTB 18 ATEX 1019 U (II 2 G Ex eb IIC Gb, I M 2 Ex eb I Mb)
IECEX Physikalisch Technische Bundesanstalt	IEC 60079-0	IECEX PTB 18.0045U (Ex eb IIC Gb, Ex eb I Mb)

Downloads

Environmental Product Compliance

Compliance Search

Environmental Product
Compliance
221-549/1002-000



CAD/CAE-Data

CAD data

2D/3D Models
221-549/1002-000



1 Compatible Products

1.1 Optional Accessories

1.1.1 Marking

1.1.1.1 Marking strip



Item No.: 210-833

Marking strips; 25 m on roll; 6 mm wide;
plain; Self-adhesive; white