








CL.1 Single-lever bidet mixer without pop-up waste - Brushed Platinum

CL.1

33 600 705 Product version from 3/9/2015 to 5/15/2020

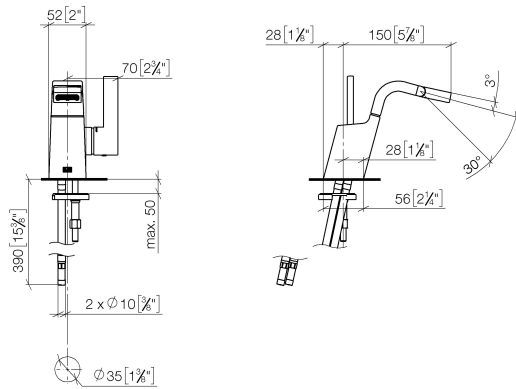


- 145mm projection
- pivotable spout 30°
- rectangular, air-enriched flow
- height of mixer 190 mm
- height up to aerator 113 mm
- hole diameter 35 mm
- 2x screw-in M 8 x 1 pressure hose, leak-tested
- max. flow 6 l/min
- WRAS

	Brushed Platinum	33 600 705-06
	Chrome	33 600 705-00
	Dark Chrome	33 600 705-19
	Brushed Light Gold (PVD)	33 600 705-27
	Brushed Champagne (22kt Gold)	33 600 705-46
	Champagne (22kt Gold)	33 600 705-47
	Brushed Dark Platinum	33 600 705-99

33 600 705 Product version from 3/9/2015 to 5/15/2020

mm [inches]



Flow rate chart



Codes & Standards

DIN 4109

ISO 3822

Scottish Water
Byelaws

UK Water Supply
Regulations

Ü-Zeichen



CL.1 Single-lever bidet mixer without pop-up waste - Brushed Platinum

CL.1

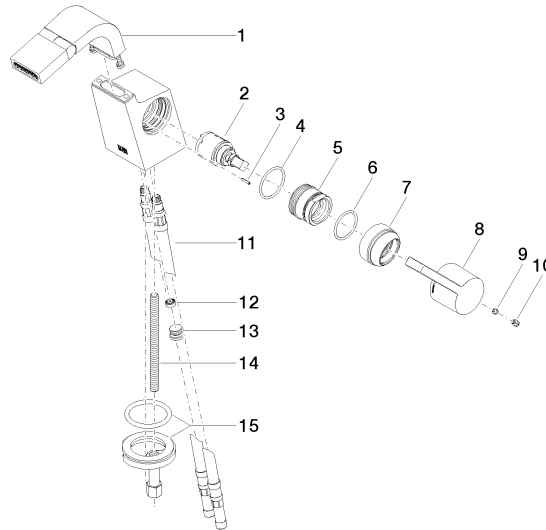
33 600 705 Product version from 3/9/2015 to 5/15/2020

Certificates and sustainability

LGA_38	WRAS_240202	EPD-DOR-20230287 -IBA1-EN Environmental.prod uct-declarat
--------	-------------	--------------------------------------------------------------------

33 600 705 Product version from 3/9/2015 to 5/15/2020

Parts for other finishes can be found here: [Chrome](#)



Spare parts list

No.	Item Number	Name	Quantity used	Delivery time
	13 04 31 20 039 11 90	Plug with O-ring M12 x 1 -	1.00	14
	8 09 20 67 010-06	Handle Lever 34 x 110 x 40 mm - Brushed Platinum	1.00	20
	11 04 30 04 018 00 90	High pressure hose M8x1 x 420 mm -	2.00	-
	Spare part can no longer be ordered, please order the replacement item			
	0430041000090	High pressure hose M8x1 x 3/8" x 420 mm -		
	1 90 11 70 004 00-06	Spout Bidet 46 x 55 x 102 mm - Brushed Platinum	1.00	20
	3 09 31 11 152 90	Roll pin Lightweight type slotted Ø 2 x 10 mm -	1.00	14
	7 09 28 30 029-06	Cover Ø 38 x 23 mm - Brushed Platinum	1.00	20
	4 09 14 10 137 90	O-Ring EPDM 70 29,0 x 2,0 mm -	1.00	14
	15 04 30 11 038 75 90	Mounting with O-ring Ø36 x 4mm Ø 52 x 1,5 mm -	1.00	14
	10 09 31 20 017 90	Plug Masking plug -	1.00	-
	Spare part can no longer be ordered, please order the replacement item			
	09312010990	Plug -		
	2 90 15 05 042 00 90	Cartridge Ø 25 x 52 mm -	1.00	14
	14 09 31 11 012 90	Mounting Threaded bolt M8 x110 mm -	1.00	14
	9 90 31 11 030 00 90	Mounting Threaded pin with hexagon socket with cup point M5 x 5 mm -	1.00	14
	6 90 14 10 063 00 90	O-Ring EPDM 70 26,0 x 2,0 mm -	1.00	14
	5 09 24 04 294 90	Mounting Nut Ø 33 x 26,5 mm -	1.00	14
	12 09 23 01 034 90	Flow limiter white 4 l/min. -	1.00	14