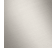








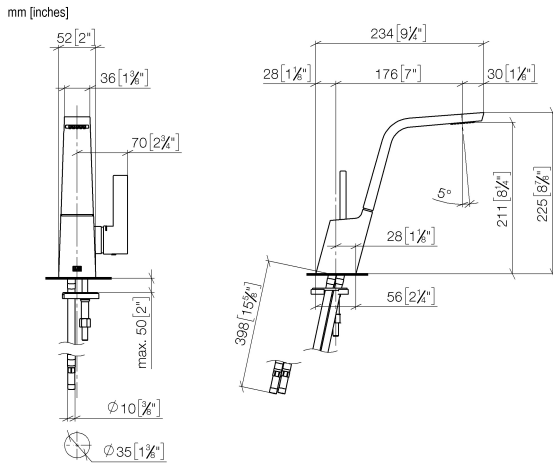
33 521 705 Product version from 3/9/2015 to 5/15/2020



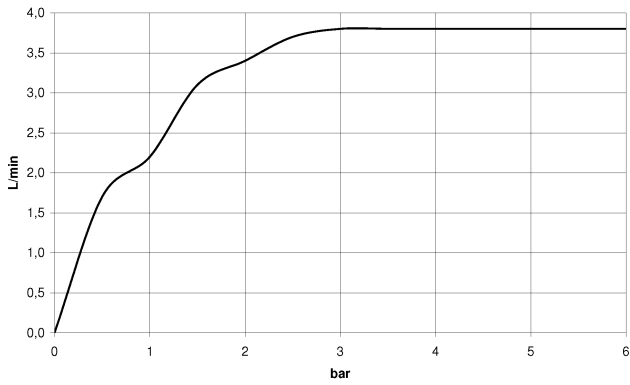
- 173mm projection
- fixed spout
- rectangular spray pattern with 40 individual jets
- height of mixer 226 mm
- base 56 x 52mm
- height up to aerator 212 mm
- hole diameter 35 mm
- 2x screw-in M 8 x 1 pressure hose, leak-tested
- max. flow 4 l/min
- lead-free
- WRAS
- This product can help a building meet the requirements of Green Building Rating Systems, e.g. LEED®, BREEAM®, DGNB

| | | |
|---|-------------------------------|---------------|
|  | Brushed Platinum | 33 521 705-06 |
|  | Chrome | 33 521 705-00 |
|  | Dark Chrome | 33 521 705-19 |
|  | Brushed Light Gold (PVD) | 33 521 705-27 |
|  | Brushed Champagne (22kt Gold) | 33 521 705-46 |
|  | Champagne (22kt Gold) | 33 521 705-47 |
|  | Brushed Dark Platinum | 33 521 705-99 |

33 521 705 Product version from 3/9/2015 to 5/15/2020



Flow rate chart



Codes & Standards

DIN 4109

Executive Order
no. 1007

ISO 3822

Scottish Water
Byelaws

UK Water Supply
Regulations

Ü-Zeichen



CL.1 Single-lever basin mixer without pop-up waste - Brushed Platinum

CL.1

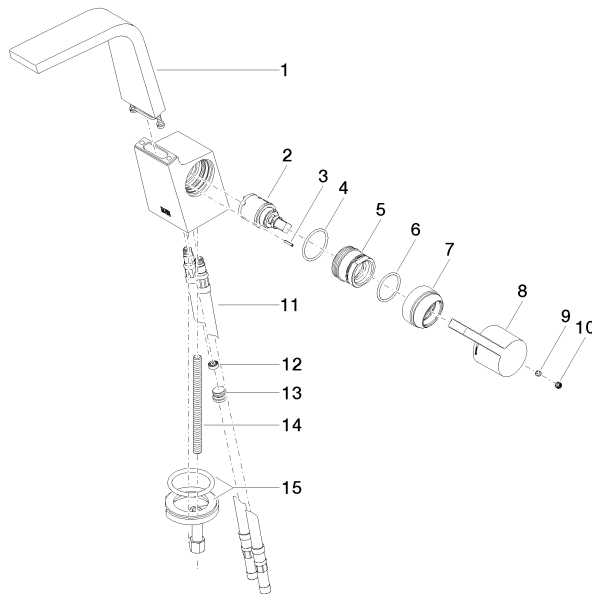
33 521 705 Product version from 3/9/2015 to 5/15/2020

Certificates and sustainability

| | | | |
|----------|--------|-----------|--|
| GDV_0400 | LGA_28 | WRAS_1612 | EPD-DOR-20230287 -IBA1-EN Environmental.prod uct-declarat |
|----------|--------|-----------|--|

33 521 705 Product version from 3/9/2015 to 5/15/2020

Parts for other finishes can be found here: [Chrome](#)



Spare parts list

| No. | Item Number | Name | Quantity used | Delivery time |
|--|--------------------|--|---------------|---------------|
| 2 | 90 15 05 042 00 90 | Cartridge Ø 25 x 52 mm - | 1.00 | 14 |
| 14 | 09 31 11 012 90 | Mounting Threaded bolt M8 x110 mm - | 1.00 | 14 |
| 9 | 90 31 11 030 00 90 | Mounting Threaded pin with hexagon socket with cup point M5 x 5 mm - | 1.00 | 14 |
| 1 | 90 11 70 001 00-06 | Spout 45 x 155 x 170 mm - Brushed Platinum | 1.00 | 20 |
| 12 | 09 23 01 034 90 | Flow limiter white 4 l/min. - | 1.00 | 14 |
| 10 | 90 31 20 109 00 90 | Plug - | 1.00 | 14 |
| 6 | 90 14 10 063 00 90 | O-Ring EPDM 70 26,0 x 2,0 mm - | 1.00 | 14 |
| 3 | 09 31 11 152 90 | Roll pin Lightweight type slotted Ø 2 x 10 mm - | 1.00 | 14 |
| 8 | 09 20 67 010-06 | Handle Lever 34 x 110 x 40 mm - Brushed Platinum | 1.00 | 20 |
| 15 | 04 30 11 038 75 90 | Mounting with O-ring Ø36 x 4mm Ø 52 x 1,5 mm - | 1.00 | 14 |
| 7 | 09 28 30 029-06 | Cover Ø 38 x 23 mm - Brushed Platinum | 1.00 | 20 |
| 13 | 04 31 20 039 11 90 | Plug with O-ring M12 x 1 - | 1.00 | 14 |
| 11 | 04 30 04 018 00 90 | High pressure hose M8x1 x 420 mm - | 2.00 | - |
| Spare part can no longer be ordered, please order the replacement item | | | | |
| | 0430041000090 | High pressure hose M8x1 x 3/8" x 420 mm - | | |
| 4 | 09 14 10 137 90 | O-Ring EPDM 70 29,0 x 2,0 mm - | 1.00 | 14 |
| 5 | 09 24 04 294 90 | Mounting Nut Ø 33 x 26,5 mm - | 1.00 | 14 |