

28 761 980 Product version from 11/1/2025







- rain shower 300 x 240mm
- Material rain shower: plastic
- PURE RAIN, max. flow rate 14 l/min (at 3 bar)
- Function from: 12 l/min
- quick clearing
- with anti-scale system

Technical data:

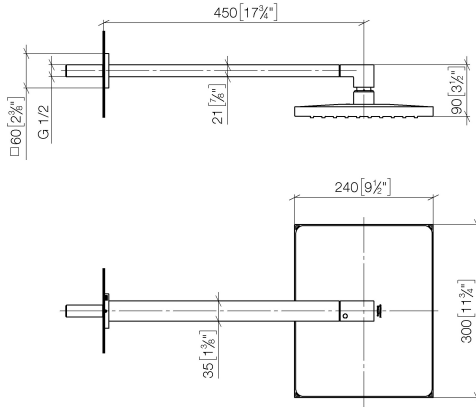
- 450mm projection
- rosette 60 x 60 mm
- 1/2" connection

Notes:

	Brushed Dark Bronze (PVD)	28 761 980-43
	Chrome	28 761 980-00
	Dark Chrome	28 761 980-19
	Brushed Light Gold (PVD)	28 761 980-27
	Matte Black	28 761 980-33
	Brushed Gold (PVD)	28 761 980-37
	Brushed Dark Brass (PVD)	28 761 980-39
	Brushed Bronze (PVD)	28 761 980-42
	Brushed Chrome	28 761 980-93
	Brushed Dark Platinum	28 761 980-99

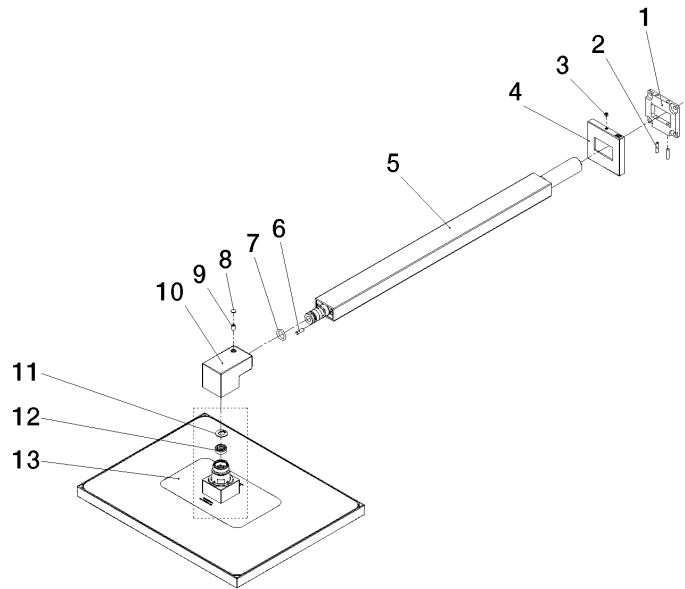
28 761 980 Product version from 11/1/2025

mm [inches]



28 761 980 Product version from 11/1/2025

Parts for other finishes can be found here: [Chrome](#)



Spare parts list

No.	Item Number	Name	Quantity used	Delivery time
11	09 16 01 014 90	Ring Retaining ring Ø 15 x 1 mm -	1.00	14
7	90 14 10 011 00 90	O-Ring EPDM 70 11,0 x 2,5 mm -	1.00	14
13	90 12 05 127 00-43	Rainshower Connection angular 14 l/min 300 x 240 mm - Brushed Dark Bronze (PVD)	1.00	82
1	09 30 11 160 90	Connection 55 x 55 x 6,5 mm -	1.00	14
8	90 31 20 087 00-43	Plug with O-ring Ø 7 x 2,1 mm - Brushed Dark Bronze (PVD)	1.00	40
2	09 31 11 084 90	Mounting Threaded pin with hexagon socket with cup point M4 x16 mm -	2.00	14
4	09 27 98 016-43	Rosette for rain shower Wall mounting 60 x 9 x 60 mm - Brushed Dark Bronze (PVD)	1.00	82
12	09 23 01 132 90	Flow limiter rose 14 l/min. -	1.00	14
6	09 31 11 109 90	Straight pin Ø 6 x 14 mm -	1.00	14
9	09 31 11 036 90	Mounting Threaded pin with hexagon socket with cup point M5 x 8 mm -	1.00	14
3	09 31 11 099 90	Mounting Threaded pin with hexagon socket with chamfered end M4 x 4 -	1.00	14
10	09 17 01 180-43	Connection 36 x 39 x 61 mm - Brushed Dark Bronze (PVD)	1.00	82
5	04 28 22 247 20-43	Connection 505 x 35 x 21 mm - Brushed Dark Bronze (PVD)	1.00	82