

27 803 361 Product version from 7/3/2016



- spray head Ø 64mm
- COMPACT RAIN, max. flow rate 9 l/min (at 3 bar)
- Function from: 6 l/min
- with anti-scale system
- inherently safe from back flow
- metal shower hose 1250mm with integrated anti-twist protection

technical data:

- rosette for wall elbow Ø 55mm
- rosette for shower holder Ø 55mm
- 1/2" wall elbow
- 1/2" shower outlet

Notes:

	Durabronz (23kt Gold)	27 803 361-09
	Chrome	27 803 361-00
	Brushed Platinum	27 803 361-06
	Platinum	27 803 361-08
	Brushed Durabronz (23kt Gold)	27 803 361-28
	Brushed Gold (PVD)	27 803 361-37
	Brushed Dark Brass (PVD)	27 803 361-39
	Brushed Bronze (PVD)	27 803 361-42
	Brushed Dark Platinum	27 803 361-99

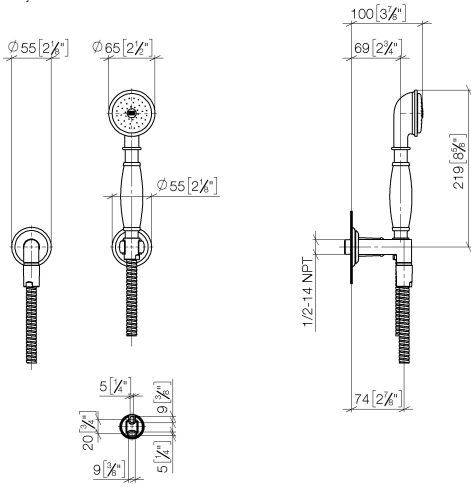
Recommended miscellaneous



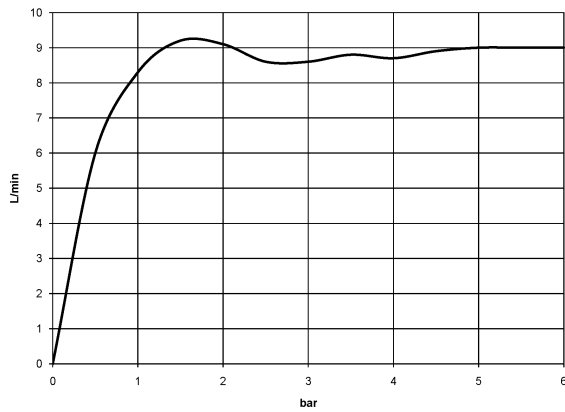
- Concealed wall elbow -** 35 085 970 90
- min. recess depth 90 mm
 - max. recess depth 163 mm

27 803 361 Product version from 7/3/2016

mm [inches]



Flow rate chart



Codes & Standards

DIN 4109

ISO 3822

Scottish Water
Byelaws

UK Water Supply
Regulations

Ü-Zeichen



MADISON Hand shower set with individual rosettes - Durabrass (23kt Gold)

MADISON

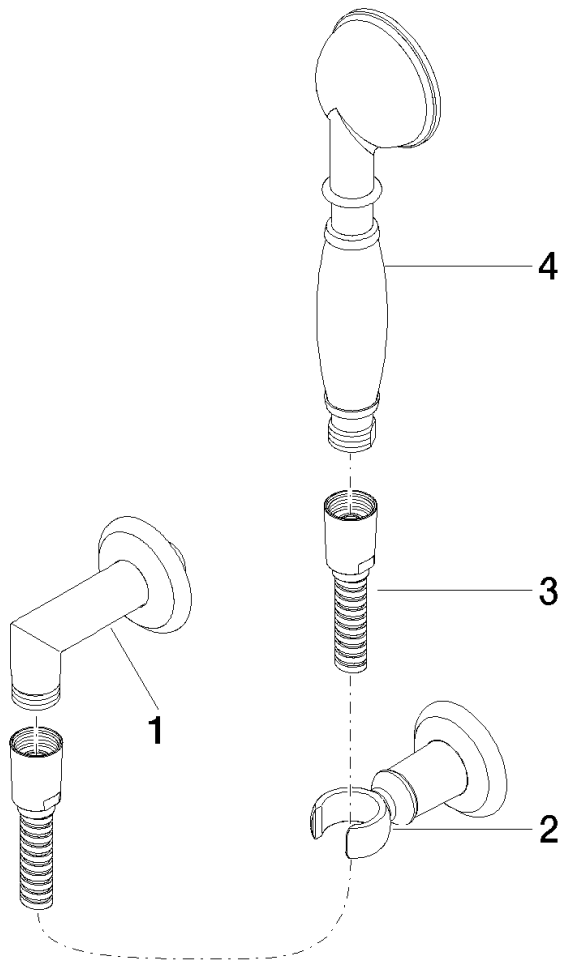
27 803 361 Product version from 7/3/2016

Certificates and sustainability

LGA_29

LGA_8

WRAS_240502



Spare parts list

No.	Item Number	Name	Quantity used	Delivery time
4	28 002 970-09	MADISON Metal hand shower with porcelain insert (white) - Durabron (23kt Gold)	1.00	54
3	28 104 970-09	Metal shower hose 1/2" x 1/2" x 1250 mm - Durabron (23kt Gold)	1.00	54
2	28 050 361-09	MADISON Wall bracket - Durabron (23kt Gold)	1.00	82
1	28 450 410-09	MADISON Wall elbow - Durabron (23kt Gold)	1.00	54