

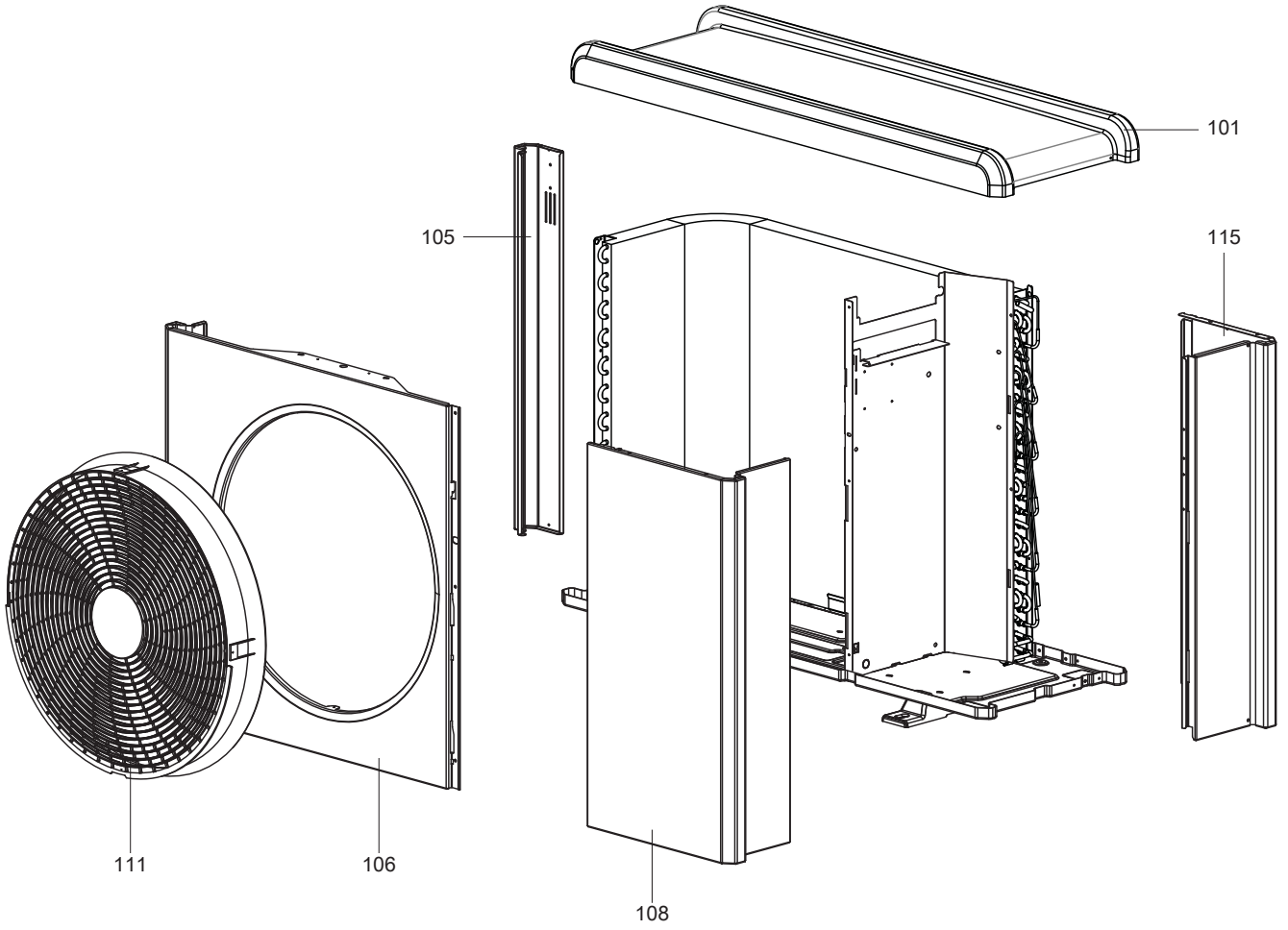
SPARE PARTS EXPLODED VIEW HEAT PUMPS

Model

ENERGION ODS R32

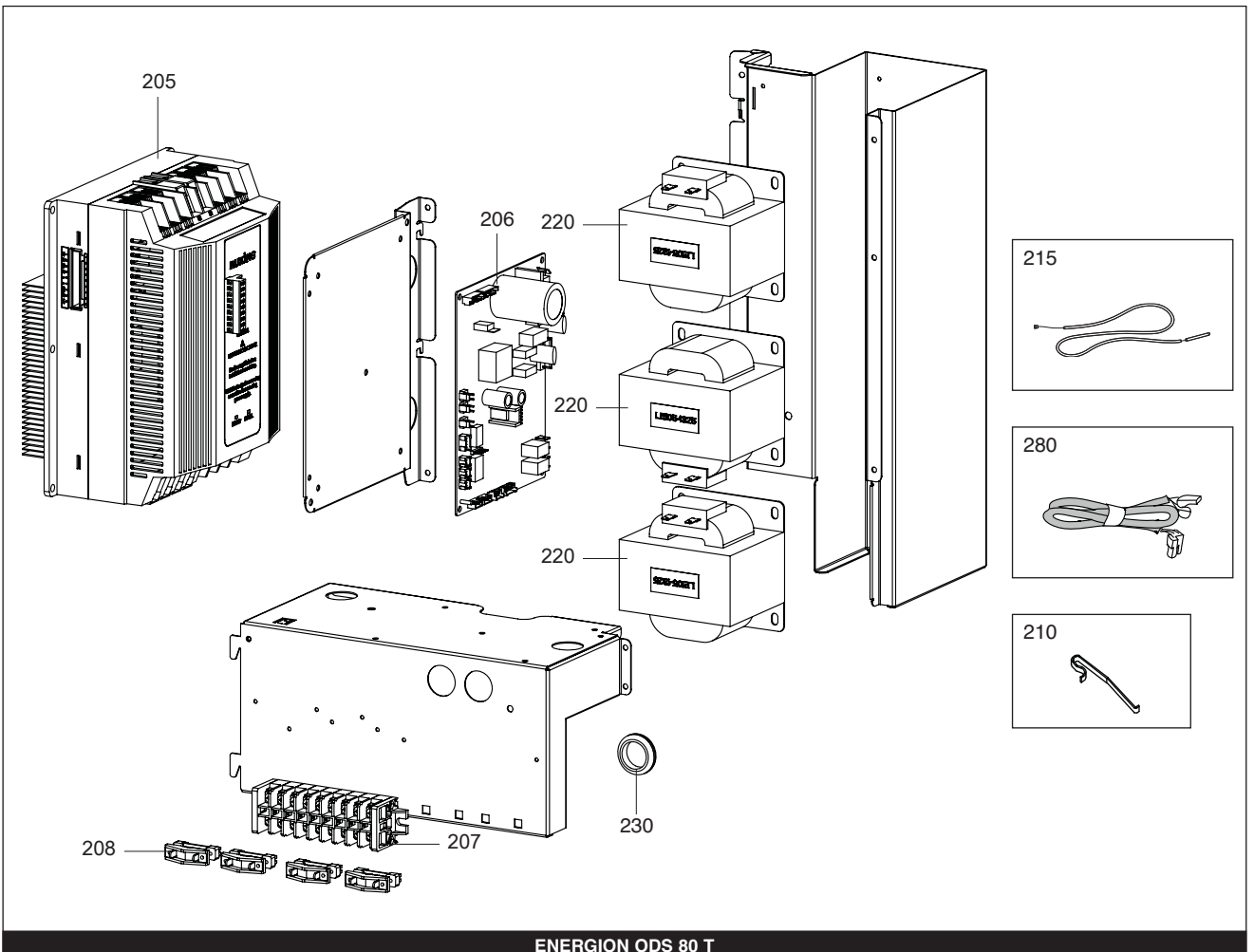
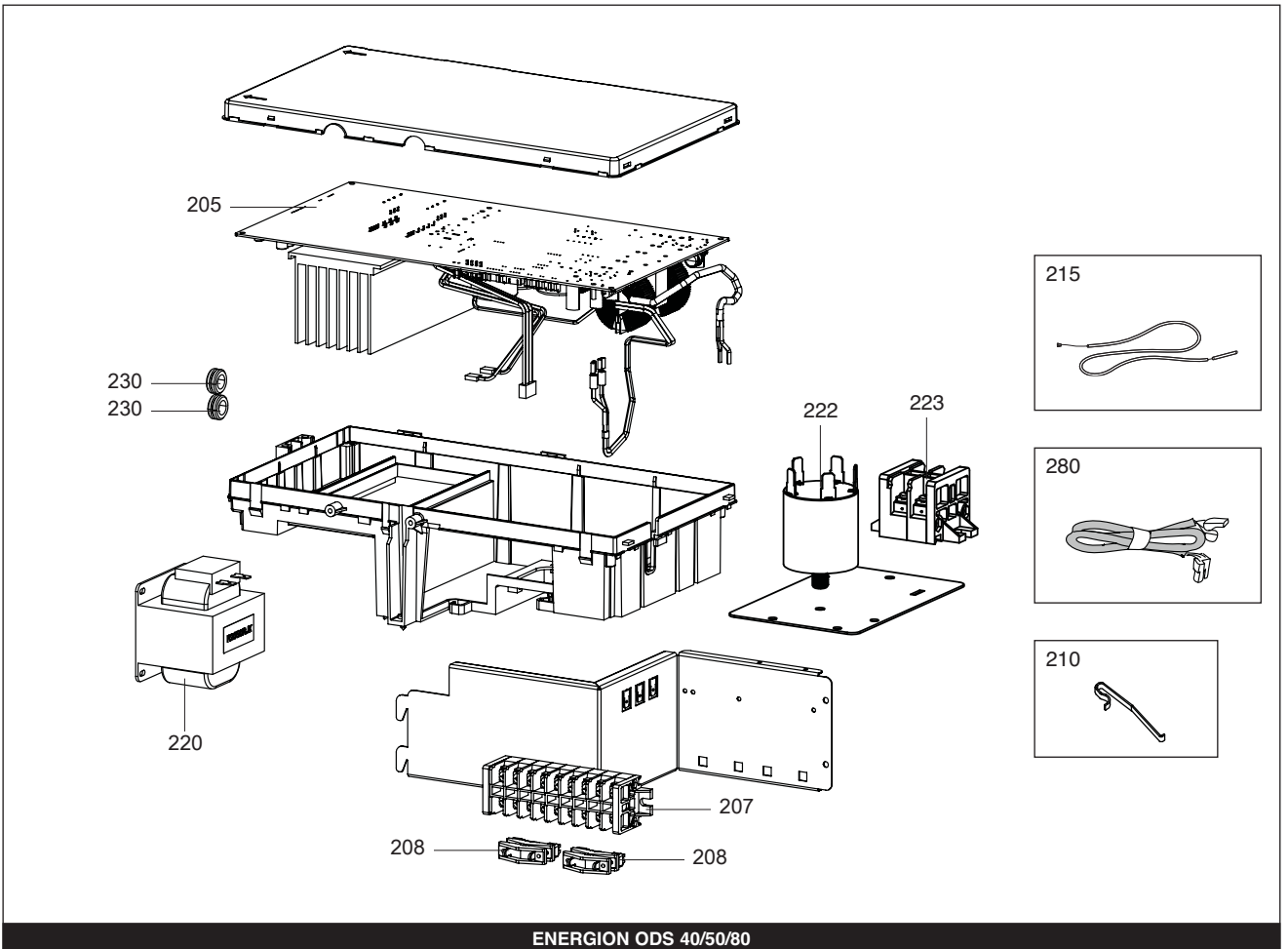
R8219009-01 - 16/01/2023

1	3630283	ENERGION ODS 40	12-2022	-
2	3630284	ENERGION ODS 50	12-2022	-
3	3630285	ENERGION ODS 80	12-2022	-
4	3630286	ENERGION ODS 80 T	12-2022	-
Col	Reference	Model type	Begin	End

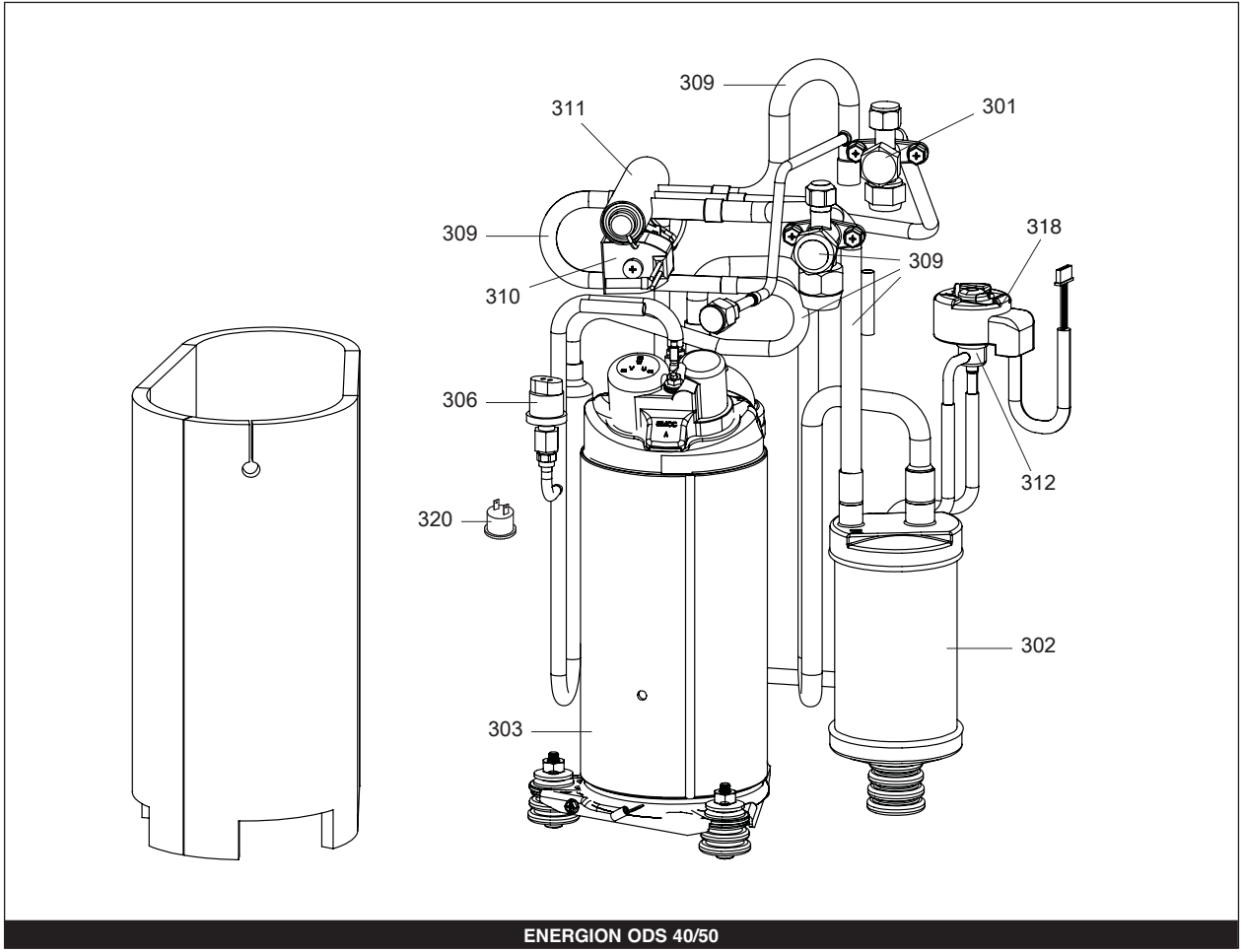


ENERGION ODS 40
 ENERGION ODS 50
 ENERGION ODS 80
 ENERGION ODS 80 T

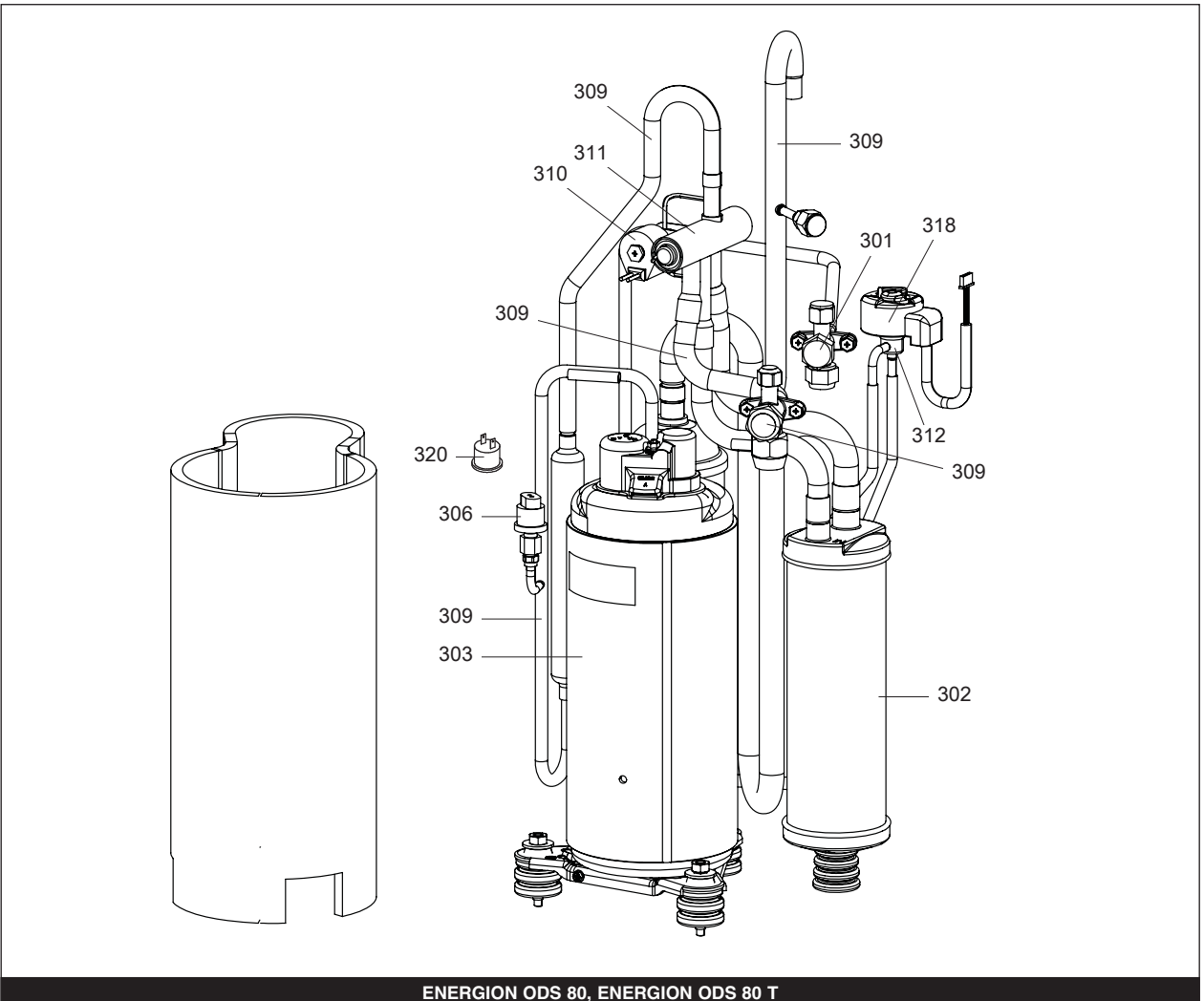
	Description	Manf. Pt. N	Type	1	2	3	4	5	6	7	8	9	10	11	12	13	14	15	16	17	18	From	to	
0100	CHASSIS-FRONT CASE																							
0101	TOP COVER	65153069		●	●	●	●																	
0105	LEFT PILLAR	65153074		●	●																			
	LEFT PILLAR	65153078				●	●																	
0106	FRONT PANEL	65153072		●	●																			
	FRONT PANEL	65153425				●	●																	
0108	FRONT RIGHT PANEL	65153071		●	●																			
	FRONT RIGHT PANEL	65153076				●	●																	
0111	FRONT GRILL	65153073		●	●	●	●																	
0115	REAR RIGHT CLAPBOARD	65153070		●	●																			
	REAR RIGHT CLAPBOARD	65155575				●	●																	



Description	Manf. Pt. N	Type	ENERGIION ODS 31																		
			1	2	3	4	5	6	7	8	9	10	11	12	13	14	15	16	17	18	
																				From	to
0200 ELECTRICAL BOX																					
0205 P.C.B. (INVERTER)	65120794			●																	
P.C.B. (INVERTER)	65120795				●																
P.C.B. (INVERTER)	65120796					●															
P.C.B. (INVERTER)	65120797-01						●														
0206 CONTROL BOARD	65155053							●													
0207 7-POLES TERMINAL BLOCK	65153096			●	●	●															
9-POLES TERMINAL BLOCK	65153100						●														
0208 CABLE CLAMP	65120803			●	●	●	●														
0210 PROBE CLIP	65115989			●	●	●	●														
0215 PROBE TD+TO	65155118			●	●	●	●														
PROBE TE	65155119			●	●	●	●														
PROBE TEO	65155120			●	●	●	●														
PROBE TS	65155117			●	●	●	●														
0220 REACTOR LE105-1325	65153058						●														
REACTOR R2050RJK	65153032			●	●	●															
0222 FILTER 0,47uF 16A	65151537			●	●																
0223 2-POLE TERMINAL BLOCK	65155353			●	●																
0230 GROMMET BLIND	65151603			●	●	●	●														
0280 COMPRESSOR CABLE	65154959			●	●	●															
COMPRESSOR CABLE	65155090						●														
MODBUS CABLE	65155089			●	●	●															
WIRING (INVERTER)	65155081						●														
WIRING (KLIXON)	65155504			●	●	●	●														
WIRING (REACTOR - INVERTER)	65155084						●														
WIRING (REACTOR - TERMINAL BLOCK)	65155085						●														



ENERGION ODS 40/50

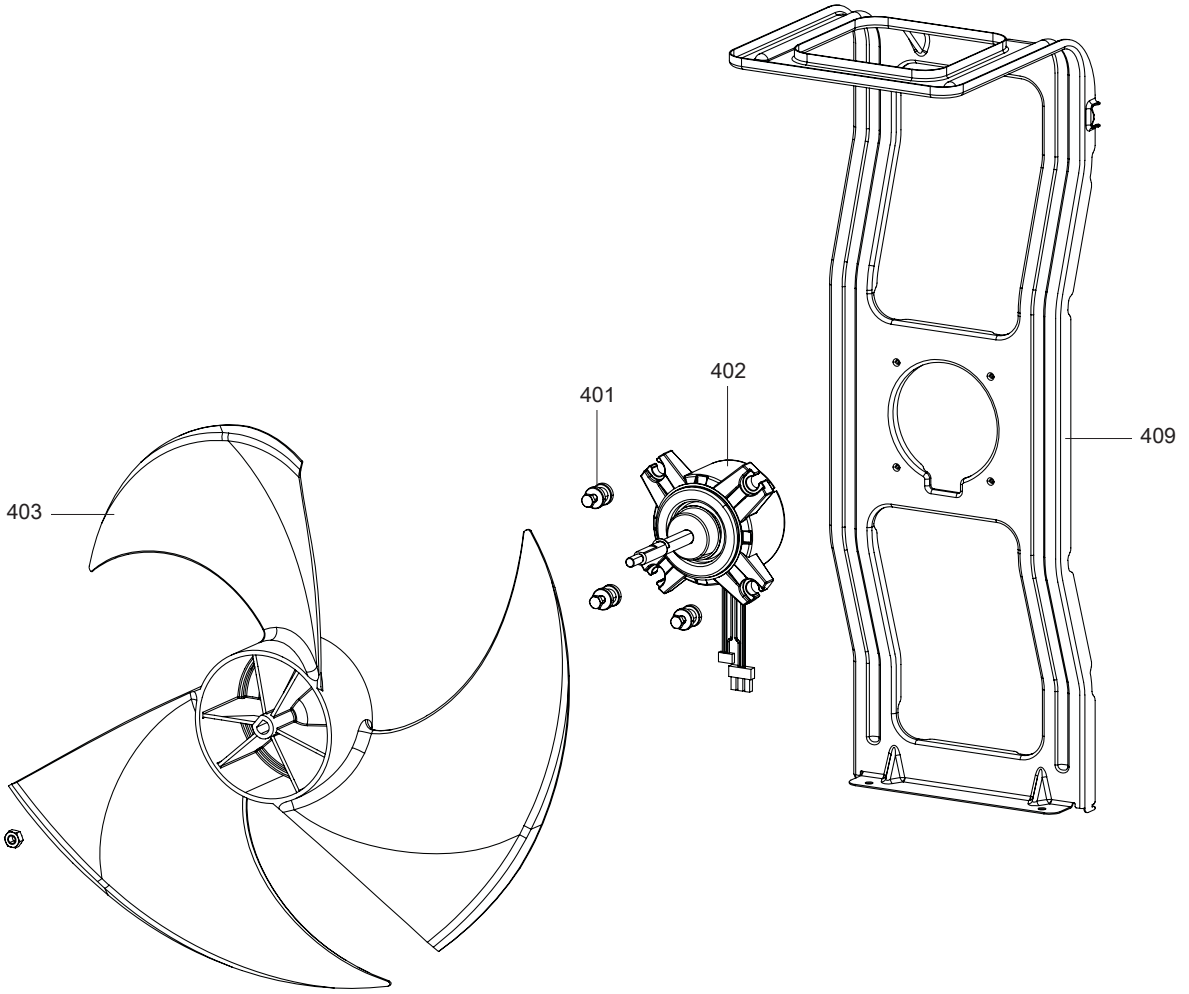


ENERGION ODS 80, ENERGION ODS 80 T

ENERGION ODS 40
ENERGION ODS 50
ENERGION ODS 80
ENERGION ODS 80 T

31

Description	Manf. Pt. N	Type	1 2 3 4 5 6 7 8 9 10 11 12 13 14 15 16 17 18																From	to
0300	REFRIGERATION UNIT																			
0301	CAPILLARY LINE ASSY-M	65155069			•	•														
	CAPILLARY LINE ASSY-S	65155068		•	•															
0302	LIQUID ACCUMULATOR	65153402		•	•															
	LIQUID ACCUMULATOR	65153410					•	•												
0303	COMPRESSOR EKTF250D22UMT (GMCC)	65154973					•	•												
	COMPRESSOR EKTN150D30UFZ(GMCC)	65154963		•	•															
0306	HIGH PRESSURE SWITCH	65154961		•	•	•														
	HIGH PRESSURE SWITCH	65154979						•												
0309	4-WAY VALVE LINE ASSY	65154992-01		•	•															
	4-WAY VALVE LINE ASSY	65154996					•													
	4-WAY VALVE LINE ASSY	65154999							•											
0310	4-WAY VALVE COIL	65120793		•	•	•	•													
0311	4-WAY VALVE STF-02	65073630		•	•															
	4-WAY VALVE WITH COIL	65073701					•	•												
0312	ELECTRONIC EXPANSION VALVE	65154993		•	•															
	ELECTRONIC EXPANSION VALVE	65154997						•	•											
0318	ELECTROVALVE COIL	65153035		•	•	•	•													
0320	KLIXON KSD301	65155470		•	•	•	•													



ENERGION ODS 40
 ENERGION ODS 50
 ENERGION ODS 80
 ENERGION ODS 80 T

	Description	Manf. Pt. N	Type	1	2	3	4	5	6	7	8	9	10	11	12	13	14	15	16	17	18	From	to	
0400	FAN GROUP																							
0401	MOTOR FIXING SCREW	65004861			●	●	●	●																
0402	FAN MOTOR	65153040			●	●																		
	FAN MOTOR	65153052						●	●															
0403	FAN	65153044			●	●	●	●																
0409	MOTOR MOUNTING BRACKET	65153041			●	●																		
	MOTOR MOUNTING BRACKET	65153408						●	●															

LIST OF THE ABBREVIATIONS

HW	: Hot water.
CW	: Cold water.
C	: Ceramic resistance (normal heating).
Ca	: Ceramic resistance (accelerated heating)
TP	: Immersion heater.
1F	: With fittings.
2F	: Without fittings.
3F	: With fittings and another outlet connection.
AMI	: With mixing valve.
SMI	: Without mixing valve.
PUISS	: Power of th appliance.
PN	: Appliance with normal pression.
LP	: Appliance with low pression.
PV	: Appliance with variable power.
PF	: Appliance with fixed power.

IDENTIFICATION PLATE

SERIAL NUMBER

12 Characters : 004.07.10.T07CX

Sequential number	004	07	10	T07CX	Product model
					Month of manufacture
					Year of manufacture

OR

12 Characters : 4 H E 56378

Fixed reference	4	H	E	56378	Sequential number
					Fixed reference
					Sequential number

15 Characters : AI010 XX 09 043 002

Product model	AI010	XX	09	043	002	Sequential number
						Day of manufacture
						Year of manufacture

21 Characters : 3675007 XX 07 070 0000315

Product reference	3675007	XX	07	070	0000315	Sequential number
Year of manufacture						Manufacturing day