

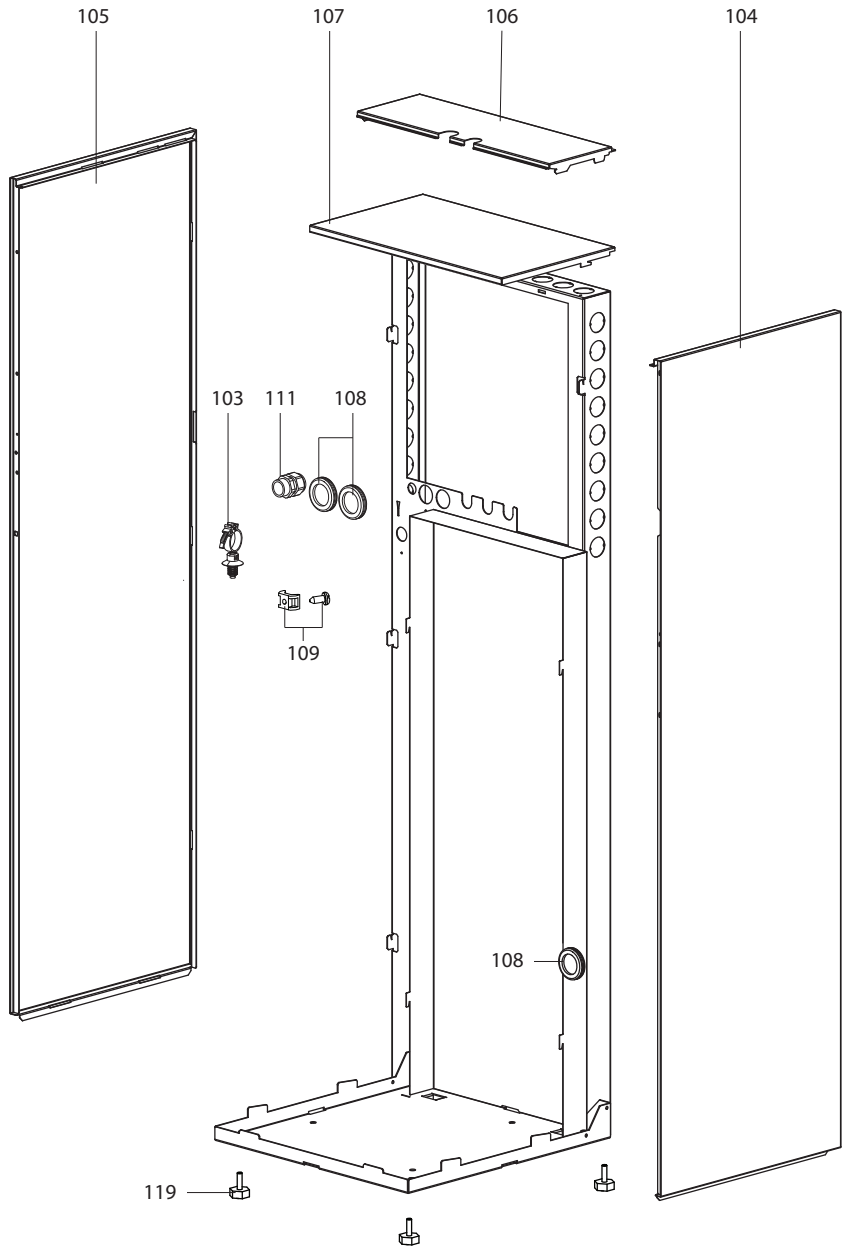
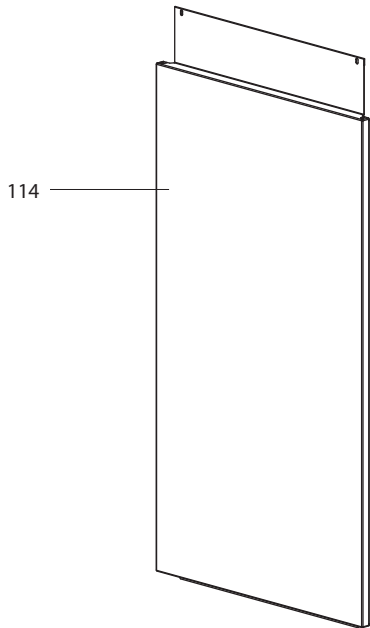
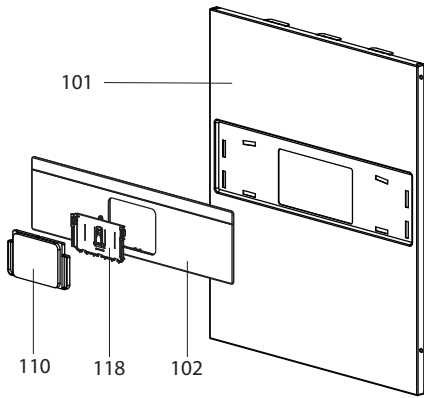
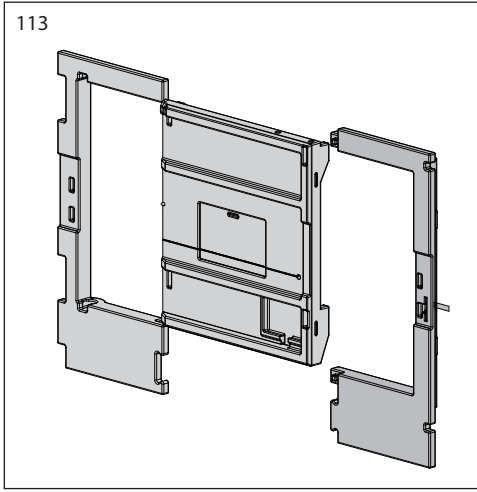
## SPARE PARTS EXPLODED VIEW HEAT PUMPS

Model

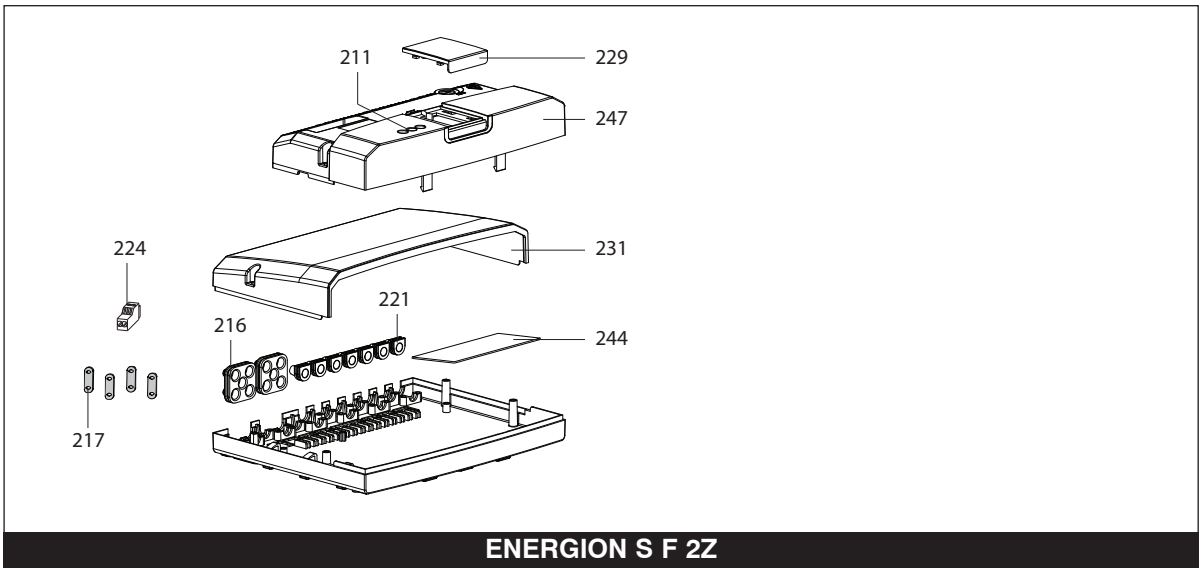
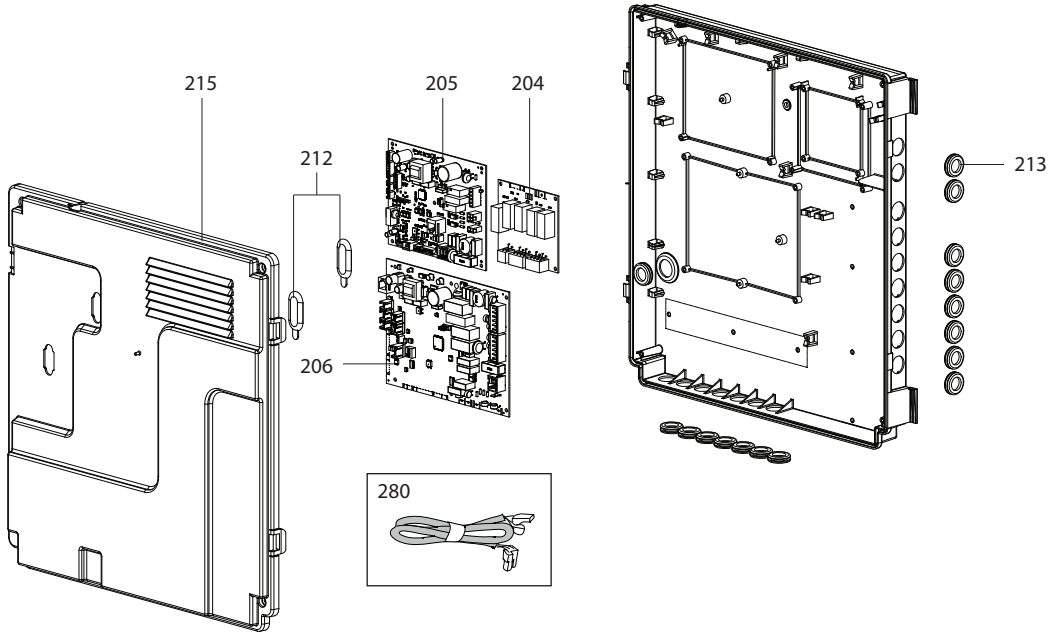
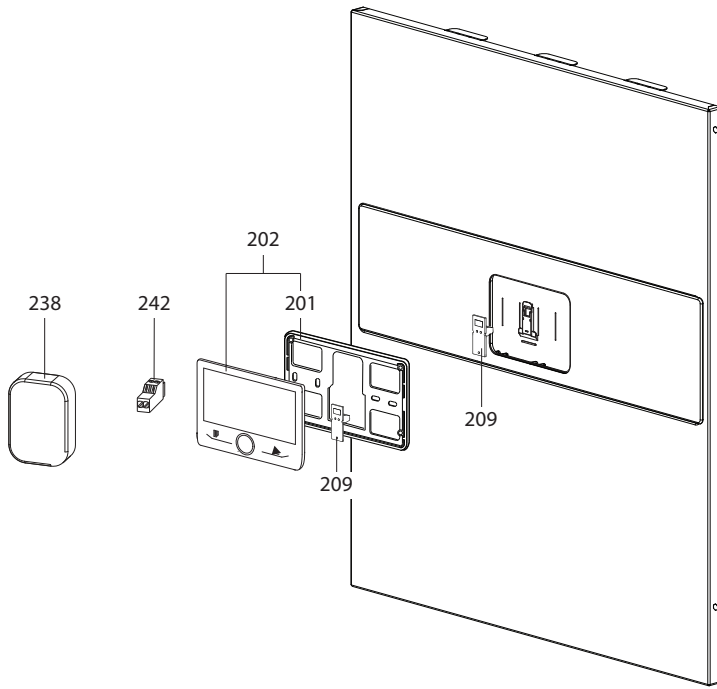
### ENERGION IDU S FS R32

R8219090-01 - 15/06/2023

1	3302316	ENERGION IDU S F 40-50	04-2023	-
2	3302317	ENERGION IDU S F 40-50 2Z	04-2023	-
3	3302318	ENERGION IDU S F 80	04-2023	-
4	3302319	ENERGION IDU S F 80 2Z	04-2023	-
Col	Reference	Model type	Begin	End



☉⇒	Description	Manf. Pt. N	Type	ENERGION S F 40-50 ENERGION S F 40-50 ZZ ENERGION S F 80 ENERGION S F 80 ZZ																		From	to	
				1	2	3	4	5	6	7	8	9	10	11	12	13	14	15	16	17	18			
0100	CAPE																							
0101	FRONT PANEL	65121992		●	●	●	●																	
0102	COVER	65121377		●	●	●	●																	
0103	CABLE BUSHING	65120841		●	●	●	●																	
0104	RIGHT PANEL	65121987		●	●	●	●																	
0105	LEFT PANEL	65121986		●	●	●	●																	
0106	UPPER PANEL	65121988		●	●	●	●																	
0107	TOP COVER	65121989		●	●	●	●																	
0108	GROMMET D37	65115267		●	●	●	●																	
0109	SUPPORT CLAMP	65120840		●	●	●	●																	
0110	COVER	65121376		●	●	●	●																	
0111	NUT+WIRE CLAMP PG16	65120842		●	●	●	●																	
0113	DOOR INSULATION	65120917		●	●	●	●																	
0114	LOWER FRONT PANEL	65121985		●	●	●	●																	
0118	SUPPORT FOR SENSYS	65120846		●	●	●	●																	
0119	ADJUSTABLE FEET M10X40	12018487		●	●	●	●																	



ENERGION S F 2Z

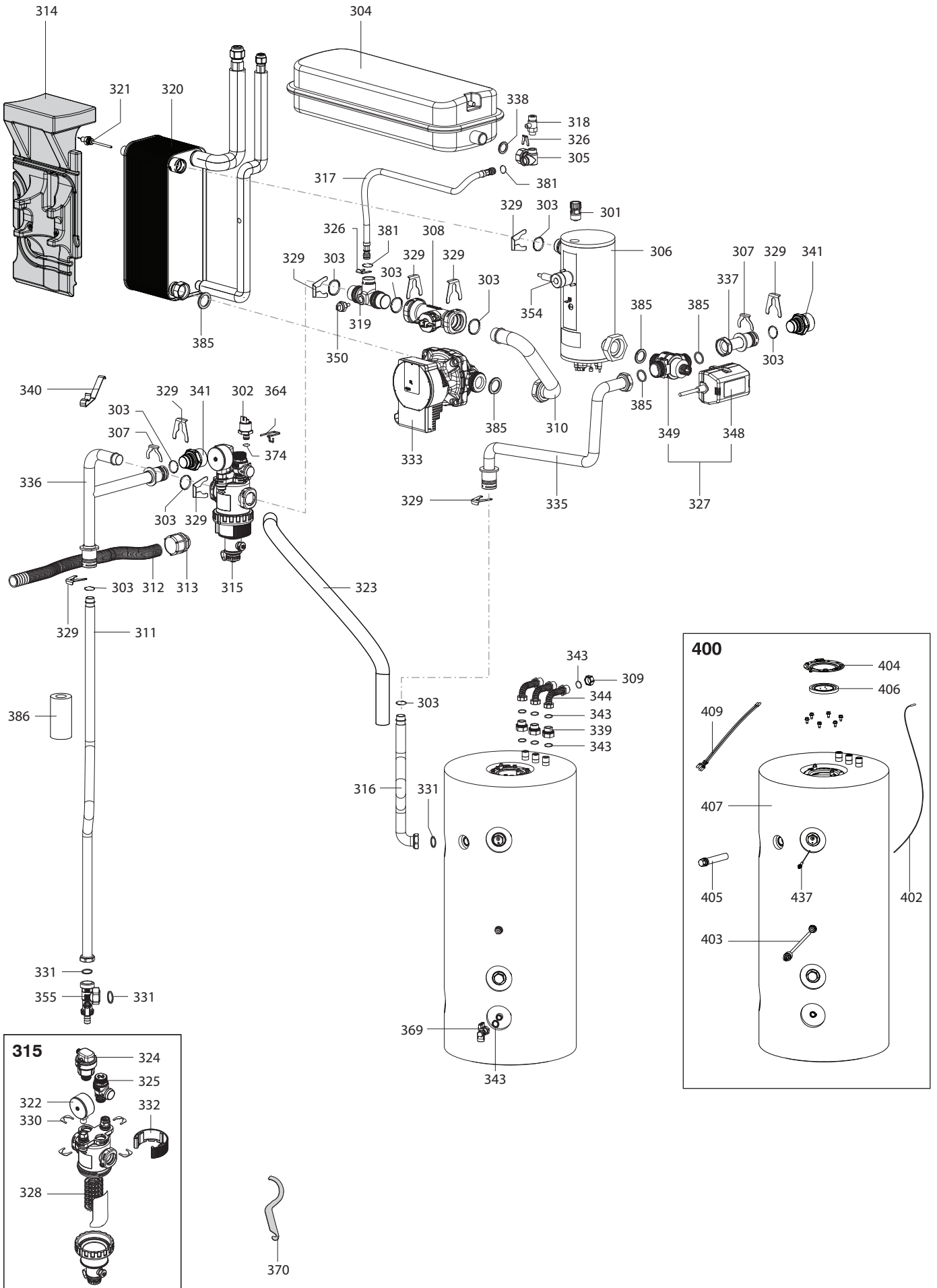
ENERGIION S F 40-50  
 ENERGIION S F 40-50 2Z  
 ENERGIION S F 80  
 ENERGIION S F 80 2Z

31

☉	Description	Manf. Pt. N	Type																			From to																		
				1	2	3	4	5	6	7	8	9	10	11	12	13	14	15	16	17	18																			
0200	ELECTRICAL BOX																																							
0201	WALL PLATE	65120380		•	•	•	•																																	
0202	SYSTEM INTERFACE ATAG	65121378-01		•	•	•	•																																	
0204	P.C.B. (BACKUP INTERFACE 3P)	65114946		•	•	•	•																																	
0205	P.C.B. (TDM)	65120791		•	•	•	•																																	
0206	P.C.B. (ENERGY MANAGER)	65120844-04		•	•	•	•																																	
0209	P.C.B. CONNECTOR	65112042		•	•	•	•																																	
0211	LED LENS	998570			•		•																																	
0212	GROMMET(PCD TOOL ACCESS)	998382		•	•	•	•																																	
0213	GROMMET D.18	65120845		•	•	•	•																																	
0215	ELECTRIC BOX COVER	65120847		•	•	•	•																																	
0216	CABLE HOLDER	65112123			•		•																																	
0217	CABLE CLAMP (5 PCS)	65112051			•		•																																	
0221	BLIND GROMMET	569720			•		•																																	
0224	PROBE CONNECTOR	12027661			•		•																																	
0229	INSERT (UPPER) CASE	65112122			•		•																																	
0231	LOWER BOX COVER	65112121			•		•																																	
0238	OUTDOOR SENSOR	65112215		•	•	•	•																																	
0242	CONNECTOR 2P	65111933		•	•	•	•																																	
0244	P.C.B. (ZONE MANAGER EVO 2)	65116781-02			•		•																																	
0247	UPPER BOX COVER	65112120			•		•																																	
0280	BROWN BRIDGE TERMINAL BLOCK CABLE	65116644			•		•																																	
	CABLE BUS TDM-EM	65120929		•	•	•	•																																	
	CABLE FLOW - PRESSURE CABLE	65121920		•	•	•	•																																	
	CABLE HCR-LWT-PWM-FLOWMETER	65121580		•	•	•	•																																	
	CABLE PRESSURE SENSOR	65121582		•	•	•	•																																	
	CABLE PROBES 2Z	65120939			•		•																																	
	CABLE PUMP PWM Z1	65120937			•		•																																	
	CABLE PUMP PWM Z2	65120938			•		•																																	
	CABLE TR PROBE	65120930		•	•	•	•																																	
	CONNECTING CABLE ZONE MANAGER	65120935			•		•																																	
	DELIVERY PROBE 2Z	65120904			•		•																																	
	POWER SUPPLY CABLE 2 ZONES	65120932			•		•																																	
	POWER SUPPLY CABLE MAIN	65120918		•	•	•	•																																	
	POWER SUPPLY CABLE PUMP1	65120933			•		•																																	
	POWER SUPPLY CABLE PUMP2	65120934			•		•																																	
	PROBE TR	65120908		•	•	•	•																																	
	PUMP CABLE	65120920		•	•	•	•																																	
	RETURN PROBE Z1	65120905			•		•																																	
	WIRING (TDM)	65120919		•	•	•	•																																	
	WIRING EM-BI	65120924		•	•	•	•																																	
	WIRING EM-SENSYS	65120925		•	•	•	•																																	
	WIRING MIXING VALVE	65120936			•		•																																	
	WIRING MODBUS TB	65120923		•	•	•	•																																	
	WIRING SIGNAL TB	65122262		•	•	•	•																																	
	WIRING STT TB	65120928		•	•	•	•																																	
	WIRING TB 230V	65120921		•	•	•	•																																	

ENERGIION IDU S FS R32

Heat pumps



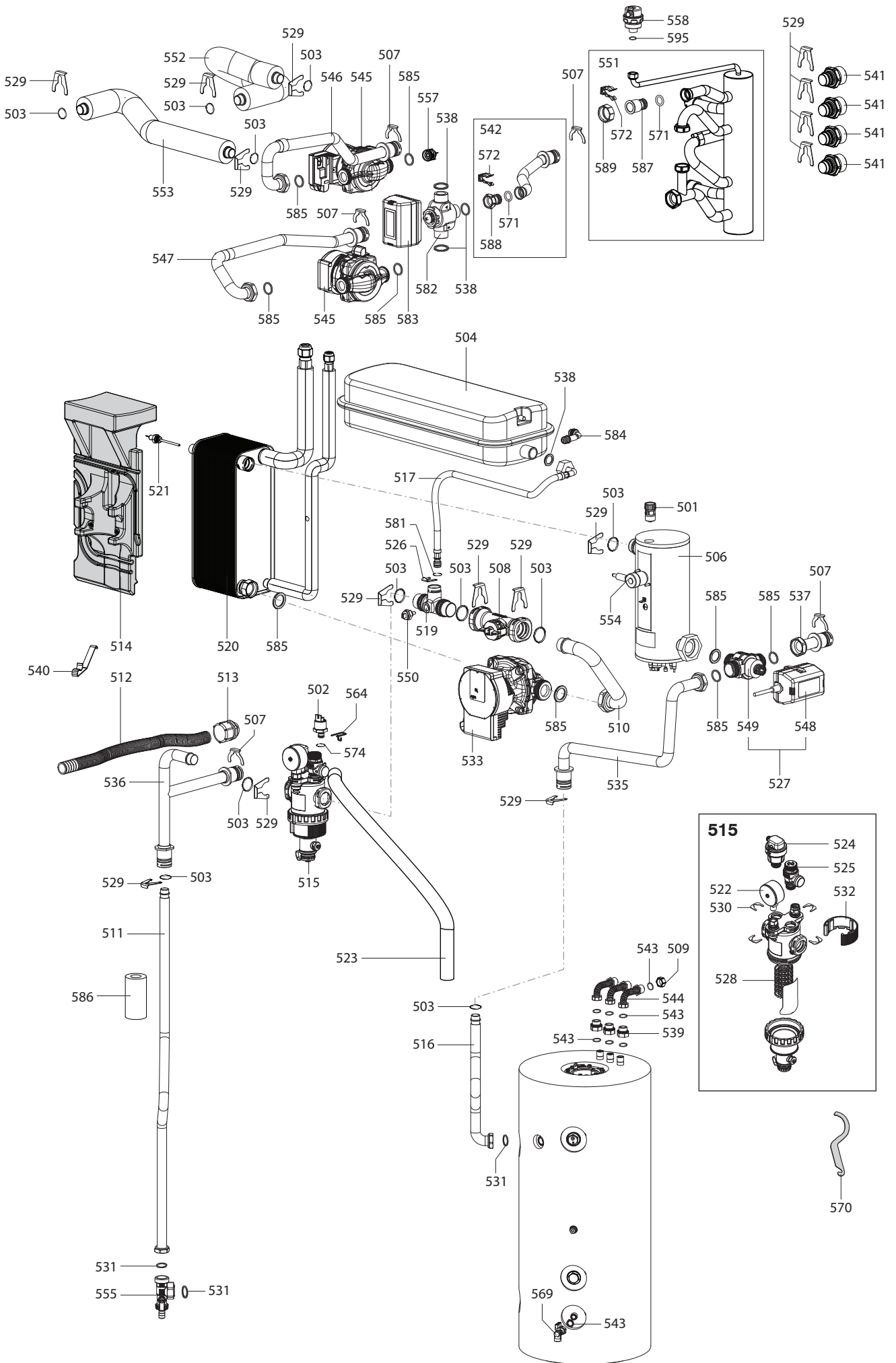
ENERGION S F 40-50  
ENERGION S F 40-50 ZZ  
ENERGION S F 80  
ENERGION S F 80 ZZ

31

Description	Manf. Pt. N	Type	From to																			
			1	2	3	4	5	6	7	8	9	10	11	12	13	14	15	16	17	18		
<b>0300</b> WATER GROUP																						
0301 DEAERATOR 3/8M	65120850		●	●																		
0302 PRESSURE SWITCH (PROPORTIONAL)	65115793		●	●																		
0303 O-RING 21.89X2.62 CH Return group-pump	65104320		●	●																		
0304 HEATING EXP.VESSEL 12L	65120848		●	●																		
0305 FITTING EXPANSION VESSEL	65120849		●	●																		
0306 HEATING ELEMENT 2+2 kW	65121919		●	●																		
0307 CLIP D.28.8	65120853		●	●																		
0308 WATER FLOWMETER DN20	65116057-01		●	●																		
0309 FEMALE PLUG BRASS 3/4 "	65116291		●	●																		
0310 PIPE FLOWMETER-PUMP	65120856		●	●																		
0311 RETURN PIPE (TANK)	65120898		●	●																		
0312 PIPE D.25 X 400MM	65120893		●	●																		
0313 WIRE CLAMP	65120894		●	●																		
0314 HEAT EXCHANGER INSULATION	65120872		●	●																		
0315 MAGNETIC FILTER	65120862		●	●																		
0316 FLOW PIPE (TANK)	65120899		●	●																		
0317 FLEXIBLE PIPE DN8 620MM	65120855		●	●																		
0318 DRAIN VALVE	573727		●	●																		
0319 FITTING FLOWMETER-FILTER	65120858		●	●																		
0320 HEAT EXCHANGER FS MEDIUM	65120907			●																		
HEAT EXCHANGER FS SMALL	65120941		●																			
0321 PROBE LWT	65153396		●	●																		
0322 PRESSURE GAUGE MANOMETER	65120859		●	●																		
0323 DRAIN PIPE D.25X1500MM	65120864		●	●																		
0324 DEAERATOR	65120860		●	●																		
0325 SAFETY VALVE 3BAR	65120861		●	●																		
0326 CLIP D:10	65104260		●	●																		
0327 SUBSTITUTION KIT 3-W VALVE	65119728		●	●																		
0328 FILTER	65121008		●	●																		
0329 CLIP INOX DN 20 (2 PCS)	65115995		●	●																		
0330 CLIP MAGNETIC FILTER	65121009		●	●																		
0331 WATER/GAS GASKET 1 INCH	569387		●	●																		
0332 MAGNETIC RING	65121007		●	●																		
0333 CIRCULATION PUMP	65116058			●																		
PUMP YONOS PARA 7.0	65114952		●																			
0335 FLOW PIPE DHW	65120910		●	●																		
0336 RETURN PIPE DHW	65122312		●	●																		
0337 FLOW PIPE	65120909		●	●																		
0338 GASKET (3/4 )	12035966		●	●																		
0339 DIELECTRIC JOINT 3/4	65120756		●	●																		
0340 PROBE CLIP	65115989		●	●																		
0341 QUICK COUPLING 1IN	65120865		●	●																		
0343 SEAL WASHER 3/4" EPDM, CH & DHW fitting	65115193		●	●																		
0344 FLEXIBLE PIPE TANK	65120897		●	●																		
0348 DIVERTER VALVE MOTORIZED HEAD	65119726		●	●																		
0349 3-WAY VALVE (BODY)	65119727		●	●																		
0350 NTC SENSOR IMMERSION	65121572		●	●																		
0354 WIRING THERMOSTAT	65120839		●	●																		
0355 DISCHARGE VALVE	65121115		●	●																		
0364 CLIP	65104322		●	●																		
0369 WATER TAP BALL VALVE LEVER M/F 3/4	65121125		●	●																		
0370 WRENCH RING NUT DISASSEMBLY FILTER	65121234		●	●																		
0374 O-RING	990488		●	●																		
0381 O-RING 9.19X2.62	65104313		●	●																		
0385 PIPE GASKET	65120792		●	●																		
0386 INSULATION ARMAFLEX H22 1395.999-AF-13MM	64190329		●	●																		
<b>0400</b> HOT WATER TANK																						
0402 TEMPERATURE PROBE (D.H.W.)	65120896		●	●	●	●																
0403 PROBE SHEATH WITH GASKET	65121044		●	●	●	●																
0404 FLANGE + GASKET	60002870		●	●	●	●																
0405 ANODE	65121043		●	●	●	●																
0406 FLANGE GASKET	60002871		●	●	●	●																
0407 BOILER FS 180L	65120892		●	●	●	●																
0409 WIRING ANODE	65120895		●	●	●	●																
0437 ANODE (PROTECH)	65111197		●	●	●	●																

ENERGION IDU S FS R32

Heat pumps

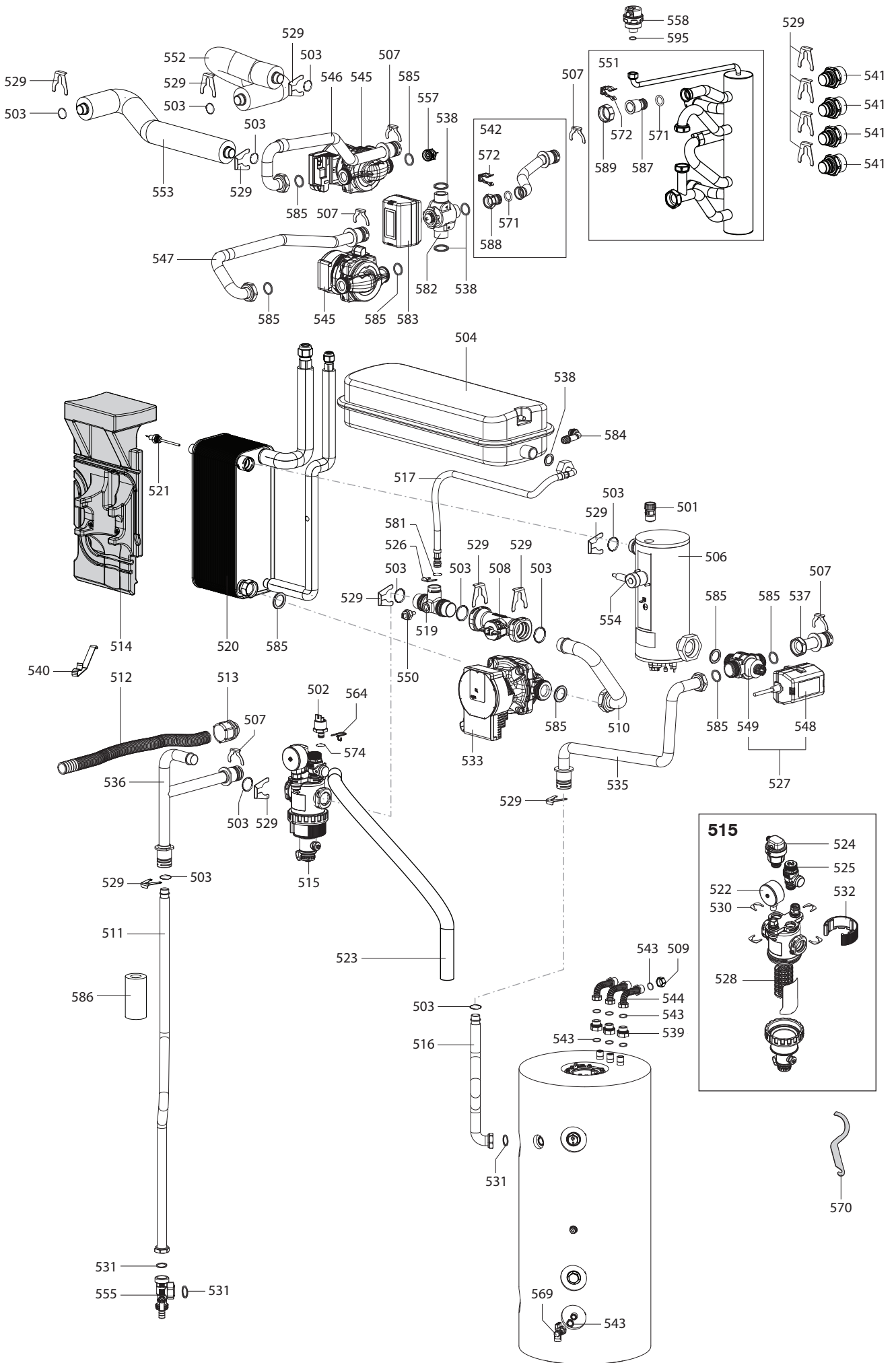




ENERGION S F 40-50  
 ENERGION S F 40-50 2Z  
 ENERGION S F 80  
 ENERGION S F 80 2Z

31

☉➔	Description	Manf. Pt N	Type	1 2 3 4 5 6 7 8 9 10 11 12 13 14 15 16 17 18 From to																	
				1	2	3	4	5	6	7	8	9	10	11	12	13	14	15	16	17	18
0500	WATER GROUP																				
0501	DEAERATOR 3/8M	65120850			●		●														
0502	PRESSURE SWITCH (PROPORTIONAL)	65115793			●		●														
0503	O-RING 21.89X2.62 CH Return group-pump	65104320			●		●														
0504	HEATING EXP.VESSEL 12L	65120848			●		●														
0506	HEATING ELEMENT 2+2 kW	65121919			●		●														
0507	CLIP D.28.8	65120853			●		●														
0508	WATER FLOWMETER DN20	65116057-01			●		●														
0509	FEMALE PLUG BRASS 3/4 "	65116291			●		●														
0510	PIPE FLOWMETER-PUMP	65120856			●		●														
0511	RETURN PIPE (TANK)	65120898			●		●														
0512	PIPE D.25 X 400MM	65120893			●		●														
0513	WIRE CLAMP	65120894			●		●														
0514	HEAT EXCHANGER INSULATION	65120872			●		●														
0515	MAGNETIC FILTER	65120862			●		●														
0516	FLOW PIPE (TANK)	65120899			●		●														
0517	FLEXIBLE PIPE DN8 620MM	65121119			●		●														
0519	FITTING FLOWMETER-FILTER	65120858			●		●														
0520	HEAT EXCHANGER FS MEDIUM	65120907			●		●														
	HEAT EXCHANGER FS SMALL	65120941			●		●														
0521	PROBE LWT	65153396			●		●														
0522	PRESSURE GAUGE MANOMETER	65120859			●		●														
0523	DRAIN PIPE D.25X1500MM	65120864			●		●														
0524	DEAERATOR	65120860			●		●														
0525	SAFETY VALVE 3BAR	65120861			●		●														
0526	CLIP D:10	65104260			●		●														
0527	SUBSTITUTION KIT 3-W VALVE	65119728			●		●														
0528	FILTER	65121008			●		●														
0529	CLIP INOX DN 20 (2 PCS)	65115995			●		●														
0530	CLIP MAGNETIC FILTER	65121009			●		●														
0531	WATER/GAS GASKET 1 INCH	569387			●		●														
0532	MAGNETIC RING	65121007			●		●														
0533	CIRCULATION PUMP	65116058					●														
	PUMP YONOS PARA 7.0	65114952			●		●														
0535	FLOW PIPE DHW	65120910			●		●														
0536	RETURN PIPE DHW	65122312			●		●														
0537	FLOW PIPE	65120909			●		●														
0538	GASKET (3/4 )	12035966			●		●														
0539	DIELECTRIC JOINT 3/4	65120756			●		●														
0540	PROBE CLIP	65115989			●		●														
0541	QUICK COUPLING 1IN	65120865			●		●														
0542	FLOW PIPE M2	65122378			●		●														
0543	SEAL WASHER 3/4" EPDM, CH & DHW fitting	65115193			●		●														
0544	FLEXIBLE PIPE TANK	65120897			●		●														
0545	CIRCULATION PUMP PARA RS 8 IPMW1-130	65153435			●		●														
0546	FLOW PIPE M1	65120901			●		●														
0547	RETURN PIPE R2	65120903			●		●														
0548	DIVERTER VALVE MOTORIZED HEAD	65119726			●		●														
0549	3-WAY VALVE (BODY)	65119727			●		●														
0550	NTC SENSOR IMMERSION	65121572			●		●														
0551	HYDRAULIC SEPARATOR	65122376			●		●														
0552	FLOW PIPE 2Z	65120915			●		●														
0553	RETURN PIPE 2Z	65120916			●		●														
0554	WIRING THERMOSTAT	65120839			●		●														
0555	DISCHARGE VALVE	65121115			●		●														
0557	ONE-WAY VALVE	65113508			●		●														
0558	AUTO AIR VENT	65117054			●		●														
0564	CLIP	65104322			●		●														
0569	WATER TAP BALL VALVE LEVER M/F 3/4	65121125			●		●														
0570	WRENCH RING NUT DISASSEMBLY FILTER	65121234			●		●														
0571	O-RING 17.04X3.53 CH Return group	65104262			●		●														
0572	CLIP	65116517			●		●														
0574	O-RING	990488			●		●														
0581	O-RING 9.19X2.62	65104313			●		●														
0582	VALVE	65103416			●		●														
0583	MOTOR (3-WAY VALVE)	65103417			●		●														
0584	EXPANSIONE VESSEL EXTENSION	65121117			●		●														
0585	PIPE GASKET	65120792			●		●														





## LIST OF THE ABBREVIATIONS

HW .....	: Hot water.
CW .....	: Cold water.
C .....	: Ceramic resistance (normal heating).
Ca .....	: Ceramic resistance (accelerated heating)
TP .....	: Immersion heater.
1F .....	: With fittings.
2F .....	: Without fittings.
3F .....	: With fittings and another outlet connection.
AMI .....	: With mixing valve.
SMI .....	: Without mixing valve.
PUISS .....	: Power of th appliance.
PN .....	: Appliance with normal pression.
LP .....	: Appliance with low pression.
PV .....	: Appliance with variable power.
PF .....	: Appliance with fixed power.

## IDENTIFICATION PLATE

### SERIAL NUMBER

**12 Characters :** 004.07.10.T07CX

Sequential number ———— Product model  
 ———— Month of manufacture  
 ———— Year of manufacture

**OR**

**12 Characters :** 4 H E 56378

Fixed reference ———— Sequential number  
 ———— Fixed reference  
 ———— Sequential number

**15 Characters :** A1010 XX 09 043 002

Product model ———— Sequential number  
 ———— Day of manufacture  
 ———— Year of manufacture

**21 Characters :** 3675007 XX 07 070 0000315

Product reference ———— Sequential number  
 Year of manufacture ———— Manufacturing day