



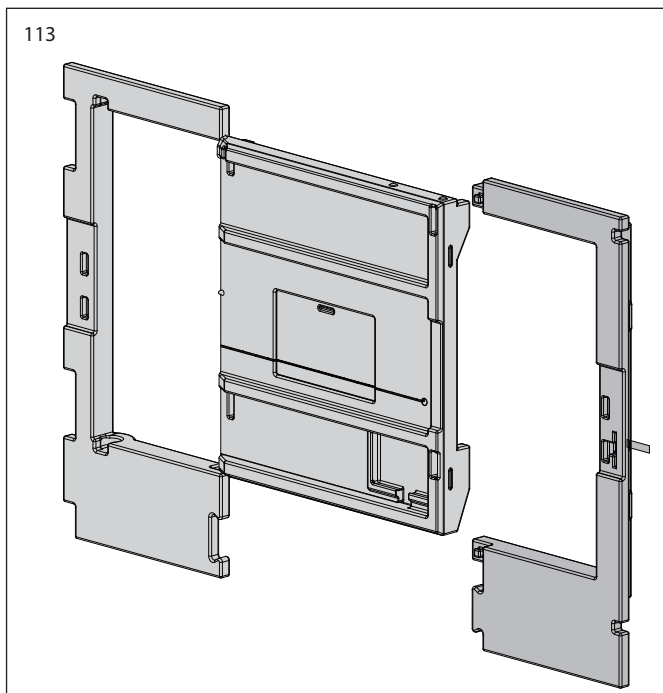
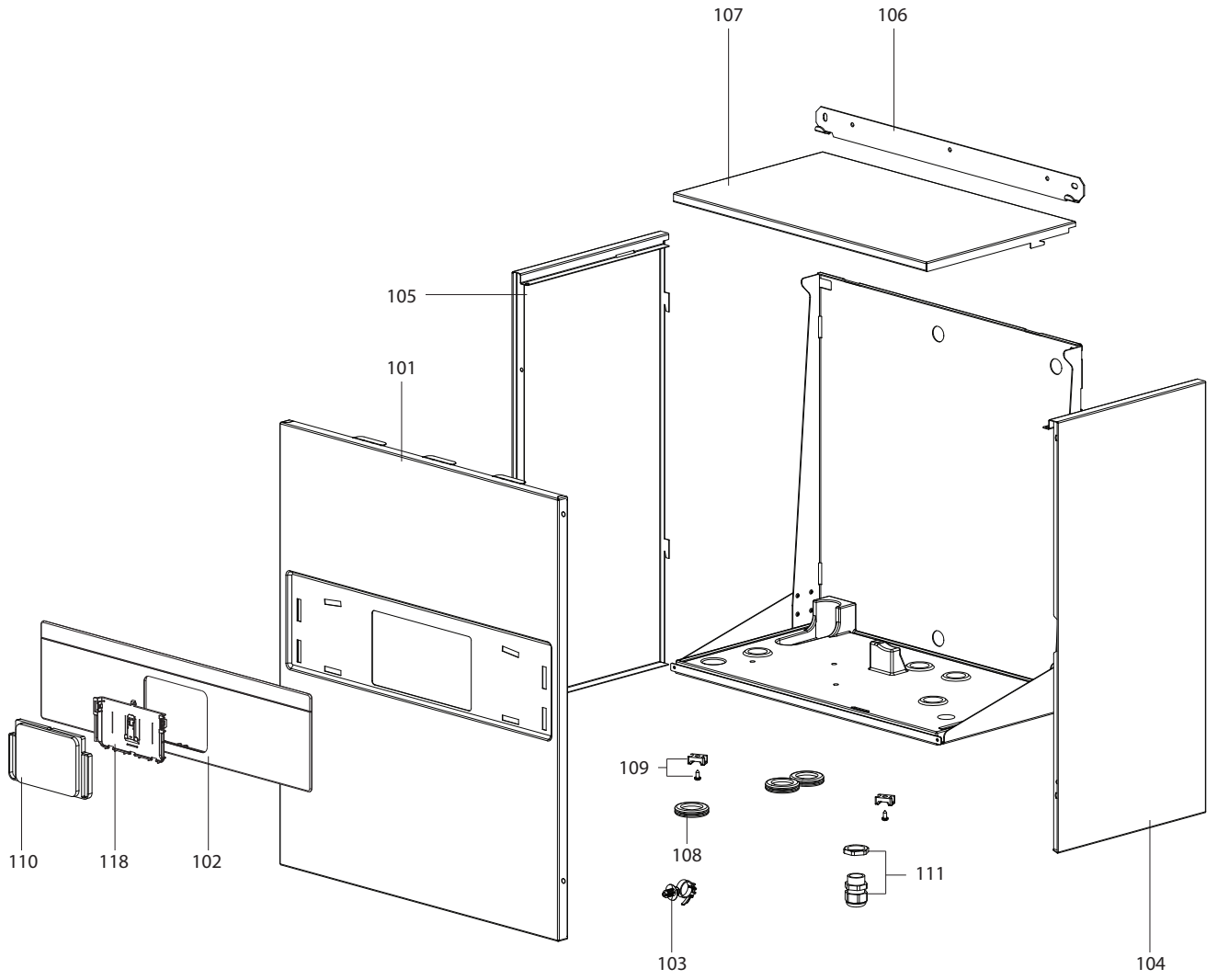
SPARE PARTS EXPLODED VIEW HEAT PUMPS

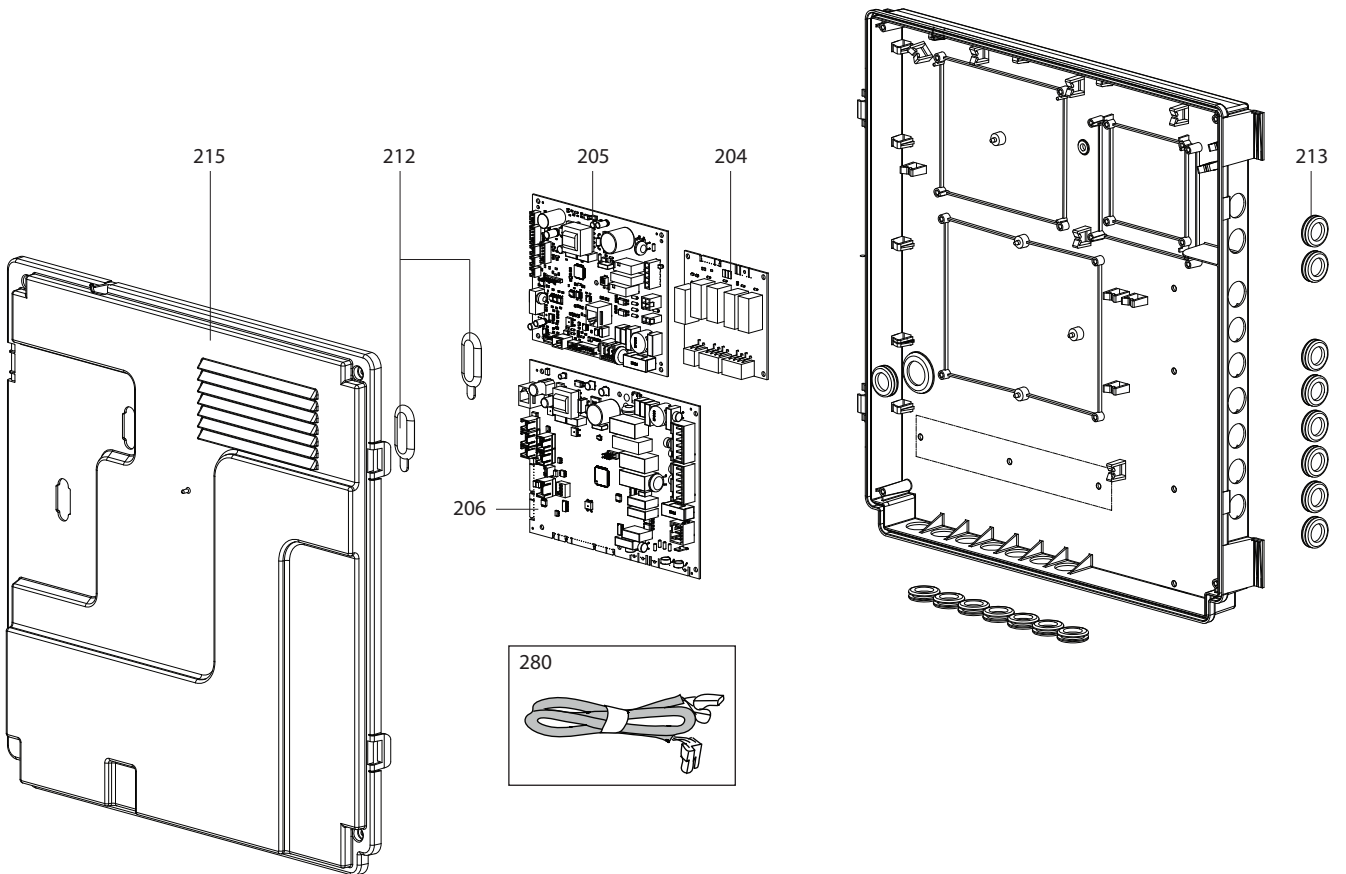
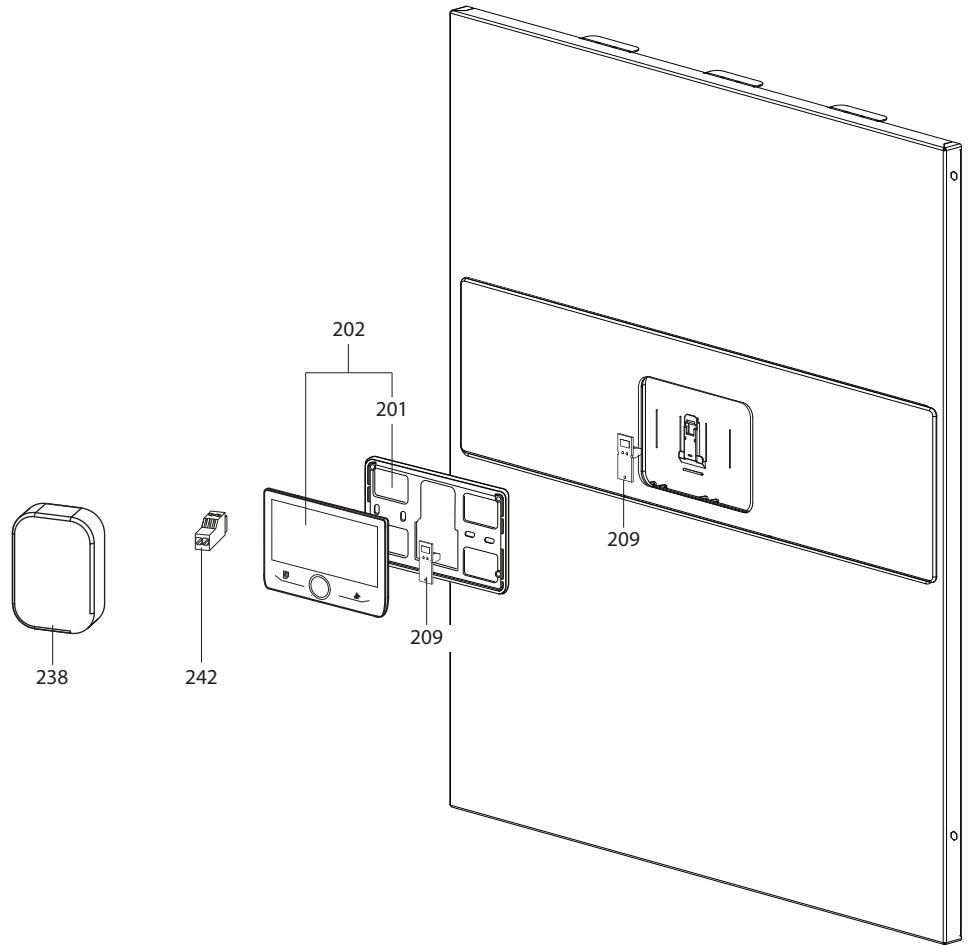
Model

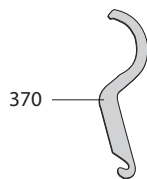
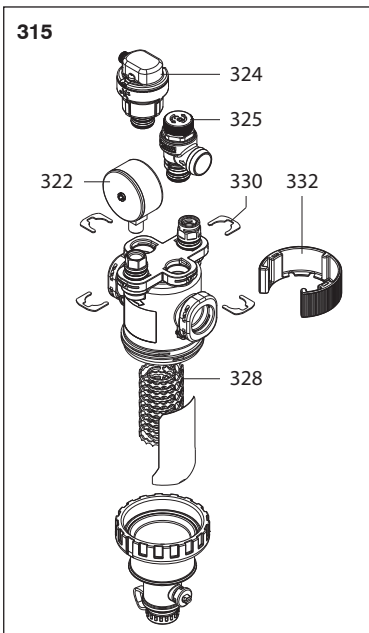
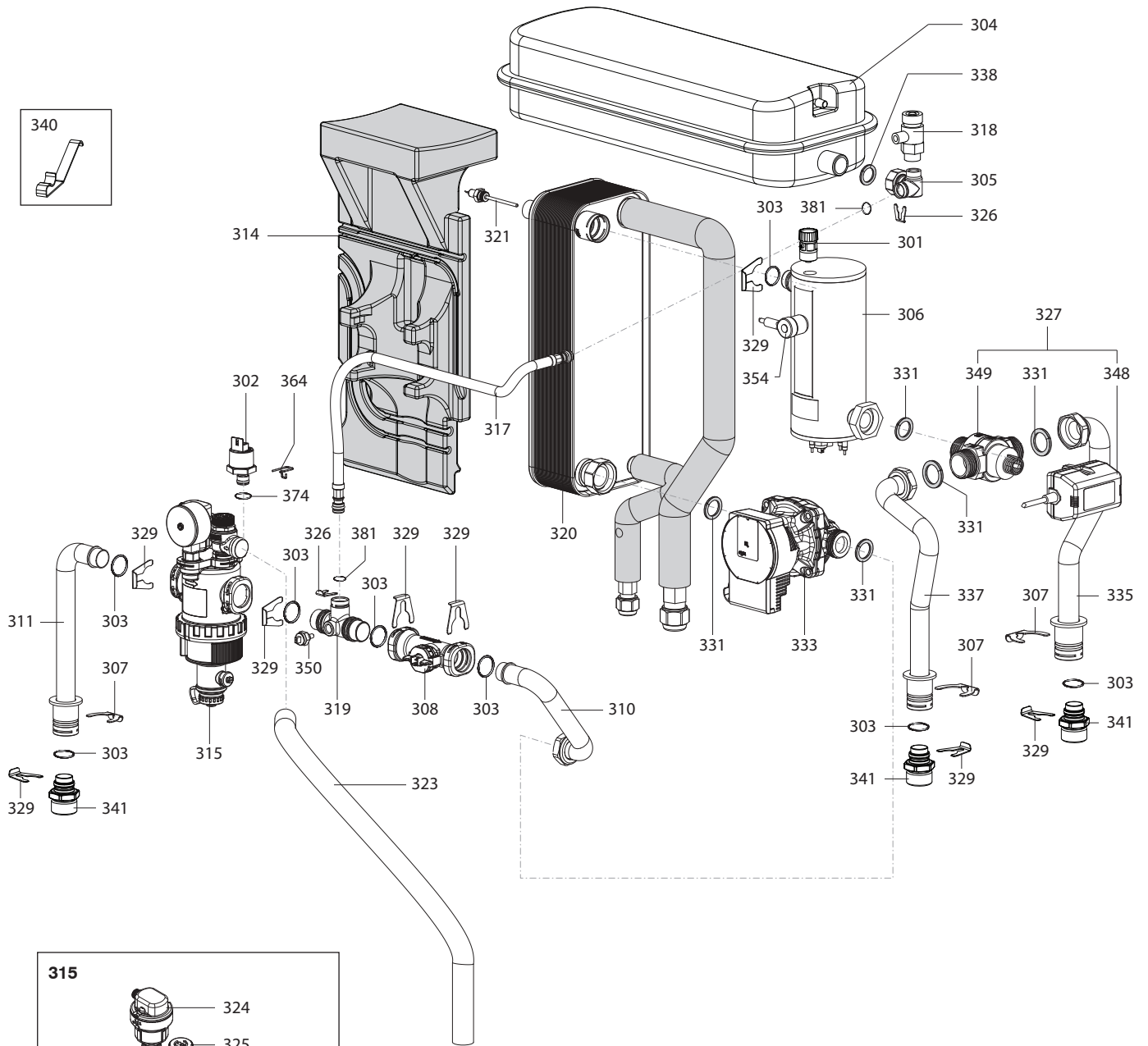
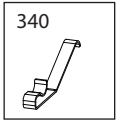
ENERGION IDU WH S

R8219048-01 - 15/06/2023

1	3302313	ENERGION IDU S 40-50	04-2023	-
2	3302314	ENERGION IDU S 80	04-2023	-
Col	Reference	Model type	Begin	End







LIST OF THE ABBREVIATIONS

HW	: Hot water.
CW	: Cold water.
C	: Ceramic resistance (normal heating).
Ca	: Ceramic resistance (accelerated heating)
TP	: Immersion heater.
1F	: With fittings.
2F	: Without fittings.
3F	: With fittings and another outlet connection.
AMI	: With mixing valve.
SMI	: Without mixing valve.
PUISS	: Power of th appliance.
PN	: Appliance with normal pression.
LP	: Appliance with low pression.
PV	: Appliance with variable power.
PF	: Appliance with fixed power.

IDENTIFICATION PLATE

SERIAL NUMBER

12 Characters : 004.07.10.T07CX
 Sequential number ———— Product model
 ———— Month of manufacture
 ———— Year of manufacture

OR

12 Characters : 4 H E 56378
 Fixed reference ———— Sequential number
 ———— Fixed reference
 ———— Sequential number

15 Characters : A1010 XX 09 043 002
 Product model ———— Sequential number
 ———— Day of manufacture
 ———— Year of manufacture

21 Characters : 3675007 XX 07 070 0000315
 Product reference ———— Sequential number
 Year of manufacture ———— Manufacturing day