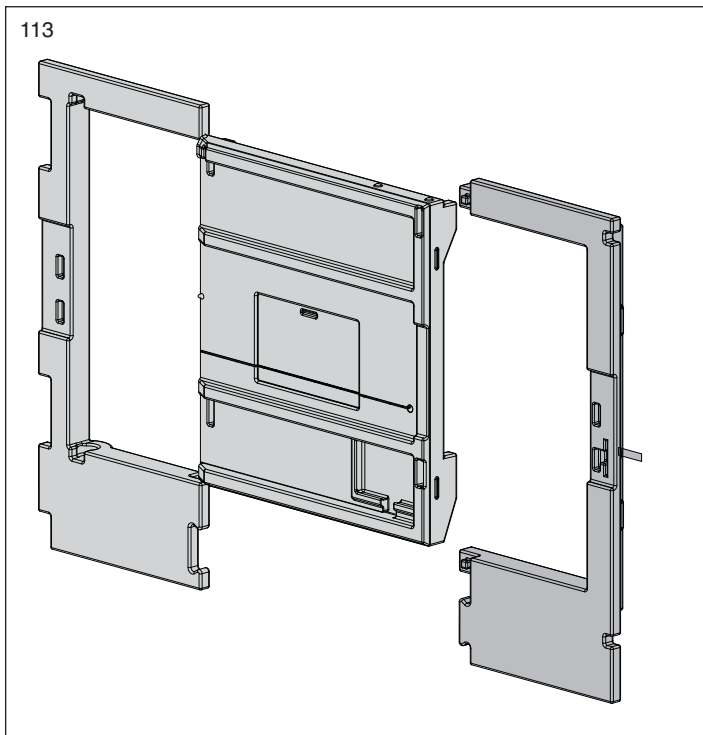
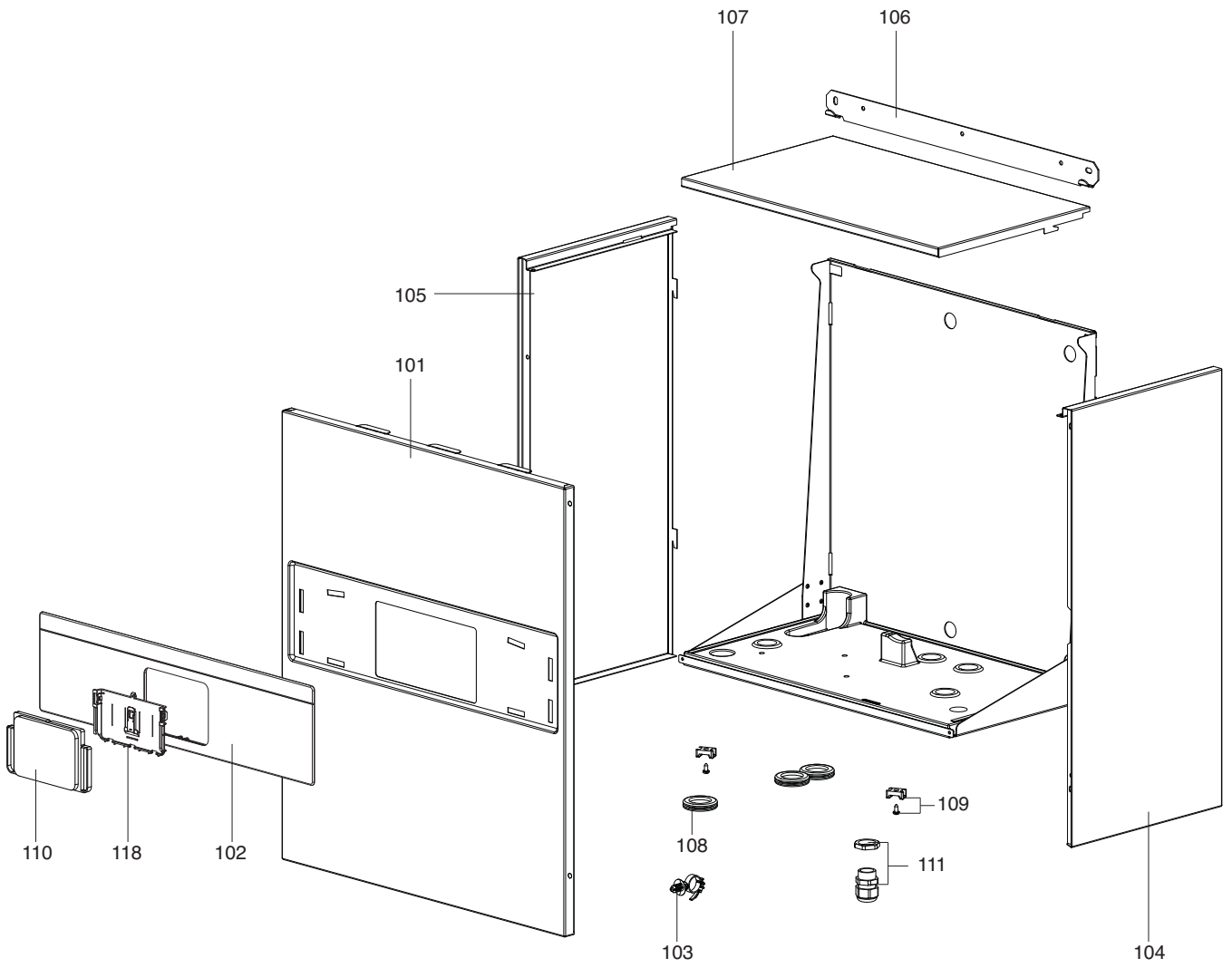


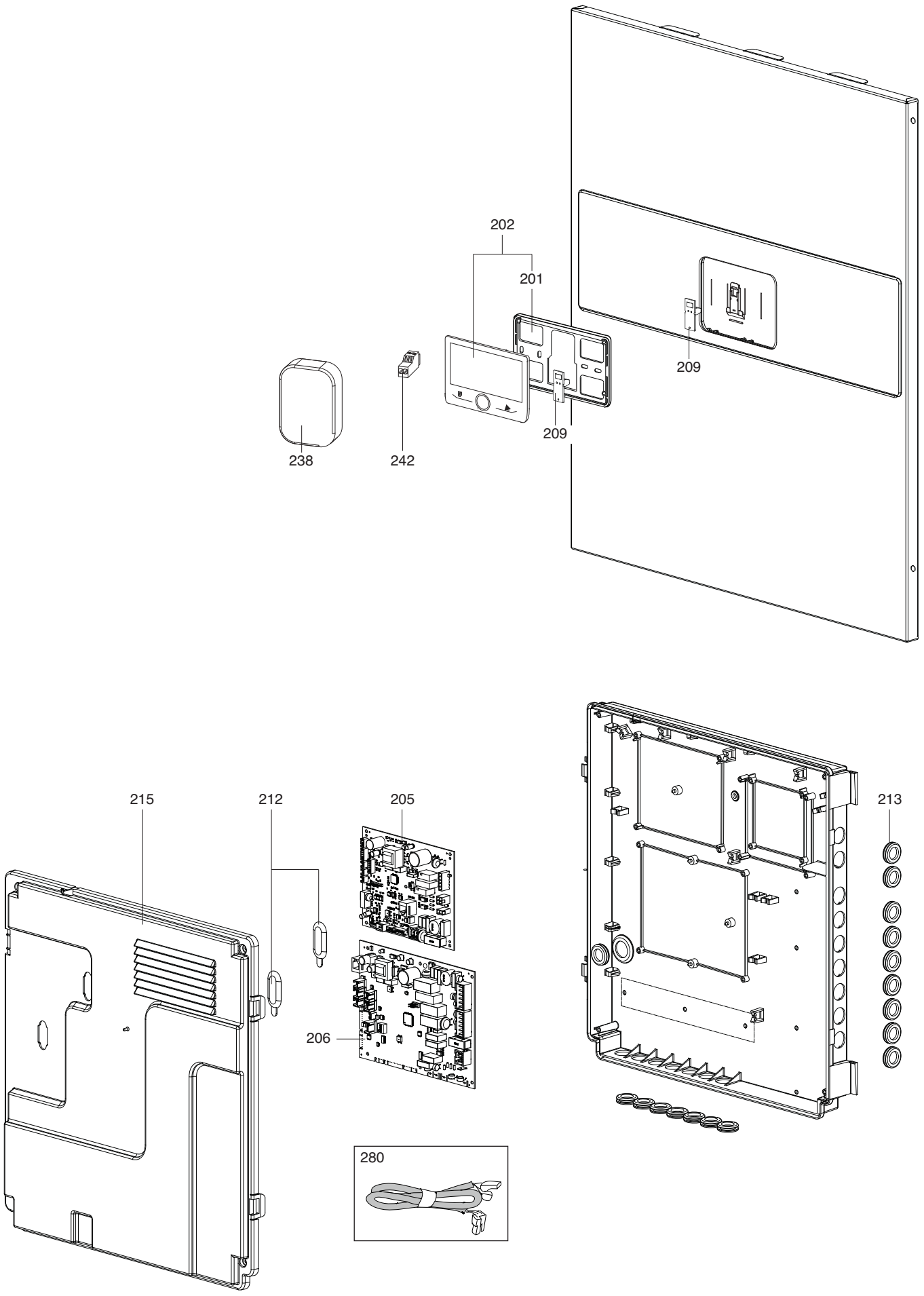


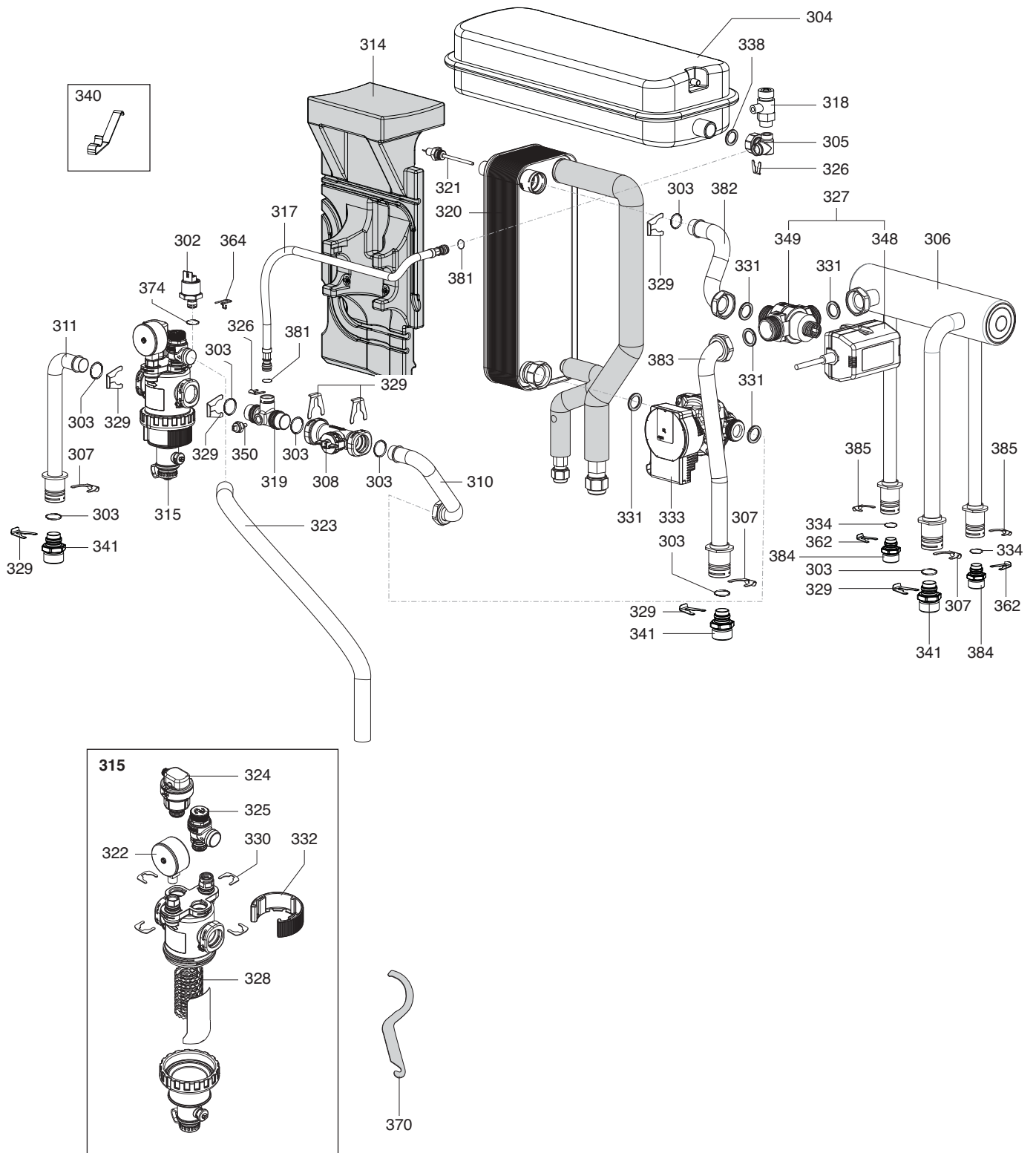
SPARE PARTS EXPLODED VIEW
ACCESSORIES FOR HYDRAULIK
Model
ENERGION IDU S HYBRID R32

R8218855-02 - 10/01/2023

1	3302241	ENERGION IDU S HYBRID 40-50	06-2022	-
2	3302242	ENERGION IDU S HYBRID 80	06-2022	-
Col	Reference	Model type	Begin	End







Description	Manf. Pt. N	Type																						
			1	2	3	4	5	6	7	8	9	10	11	12	13	14	15	16	17	18	From	to		
0300 WATER GROUP																								
0302 PRESSURE SWITCH (PROPORTIONAL)	65115793		●	●																				
0303 O-RING 21.89X2.62	65104320		●	●																				
0304 HEATING EXP.VESSEL 12L	65120848		●	●																				
0305 FITTING EXPANSION VESSEL	65120849		●	●																				
0306 HYDRAULIC SEPARATOR	65121573		●	●																				
0307 CLIP D.28.8	65120853		●	●																				
0308 WATER FLOWMETER DN20	65116057-01		●	●																				
0310 PIPE FLOWMETER-PUMP	65120856		●	●																				
0311 PIPE (C.H. RETURN)	65120863		●	●																				
0314 HEAT EXCHANGER INSULATION	65120872		●	●																				
0315 MAGNETIC FILTER	65120862		●	●																				
0317 FLEXIBLE PIPE DN8 620MM	65120855		●	●																				
0318 DRAIN VALVE 1/8 INCH	573727		●	●																				
0319 FITTING FLOWMETER-FILTER	65120858		●	●																				
0320 HEAT EXCHANGER MEDIUM HYB S	65121578			●																				
HEAT EXCHANGER SMALL HYB SPLIT	65121571		●																					
0321 PROBE LWT	65153396		●	●																				
0322 PRESSURE GAUGE MANOMETER	65120859		●	●																				
0323 DRAIN PIPE D.25X1500MM	65120864		●	●																				
0324 DEAERATOR	65120860		●	●																				
0325 SAFETY VALVE 3BAR	65120861		●	●																				
0326 CLIP D:10	65104260		●	●																				
0327 SUBSTITUTION KIT 3-W VALVE	65119728		●	●																				
0328 FILTER	65121008		●	●																				
0329 CLIP INOX DN 20 (2 PCS)	65115995		●	●																				
0330 CLIP MAGNETIC FILTER	65121009		●	●																				
0331 PIPE GASKET	65120792		●	●																				
0332 MAGNETIC RING	65121007		●	●																				
0333 CIRCULATION PUMP	65116058		●	●																				
PUMP YONOS PARA 7.0	65114952		●																					
0334 O-RING ID17,86X2,62 EPDM 75°	12035174		●	●																				
0338 GASKET (3/4)	12035966		●	●																				
0340 PROBE CLIP	65115989		●	●																				
0341 QUICK COUPLING 1IN	65120865		●	●																				
0348 DIVERTER VALVE MOTORIZED HEAD	65119726		●	●																				
0349 3-WAY VALVE (BODY)	65119727		●	●																				
0350 NTC SENSOR IMMERSION	65121572		●	●																				
0362 CLIP D:18	65104259		●	●																				
0364 CLIP	65104322		●	●																				
0370 WRENCH RING NUT DISASSEMBLY FILTER	65121234		●	●																				
0374 O-RING	990488		●	●																				
0381 O-RING 9.19X2.62	65104313		●	●																				
0382 PIPE 3WV - HEAT EXCHANGER	65121574		●	●																				
0383 FLOW PIPE	65121575		●	●																				
0384 QUICK COUPLING DN15	65121576		●	●																				
0385 CLIP D.24.9	65121577		●	●																				

LIST OF THE ABBREVIATIONS

HW	: Hot water.
CW	: Cold water.
C	: Ceramic resistance (normal heating).
Ca	: Ceramic resistance (accelerated heating)
TP	: Immersion heater.
1F	: With fittings.
2F	: Without fittings.
3F	: With fittings and another outlet connection.
AMI	: With mixing valve.
SMI	: Without mixing valve.
PUISS	: Power of th appliance.
PN	: Appliance with normal pression.
LP	: Appliance with low pression.
PV	: Appliance with variable power.
PF	: Appliance with fixed power.

IDENTIFICATION PLATE

SERIAL NUMBER

10 Characters :	04 05 125 011	
		Sequential number
		Manufacturing day
		Year of manufacture
11 Characters :	1 95 065004 - 31	
Month of manufacture :		Technical number of the appliance
from 1 to 9 → Jan. to Sep.,		Sequential number
O → Oct., N → Nov.,		Year of manufacture
D → Dec.		
19 Characters :	08 05 0013199 900640031	
Year of manufacture		Product reference
Month of manufacture		Sequential number
20 Characters :	3675007 XX 2 07 070 00315	
Product reference		Sequential number
Millenium of manufacture		Manufacturing day
		Year of manufacture
21 Characters :	3675007 XX 07 070 0000315	
Product reference		Sequential number
Year of manufacture		Manufacturing day