

17 861 680 Product version from 4/1/2014 to 5/27/2021



- 145mm projection
- rigid, thermally insulated spout
- laminar flow
- height of mixer 233 mm
- height up to laminar flow regulator 213 mm
- hole diameter 35 mm
- provides filtered, hot water up to 93°C
- provides filtered, cold water
- max. flow 2 l/min at 3 bar flow pressure
- ready-to-use control unit for wall mounting (137mm x 159mm x 60mm)
- electronic magnetic valve
- 100-230 V, 50-60 Hz, 18 W power supply unit, incl. country-specific adapter set
- lead-free

- Spout ring cannot be removed.
- This product can help a building meet the requirements of Green Building Rating Systems, e.g. LEED®, BREEAM®, DGNB

A minimum flow pressure of 3 bar is necessary for the HOT & COLD WATER DISPENSER to work perfectly in conjunction with a hot water tank and filter.

The installation must be above a kitchen sink.

The filter cartridge must be changed every six months. The installation instructions contain further information for guidance.

Detailed planning information and technical data can be found at www.dornbracht.com/professional

A minimum flow pressure of 3 bar is necessary for the HOT & COLD WATER DISPENSER to work perfectly in conjunction with a hot water tank and filter.

The installation must be above a kitchen sink.

The filter cartridge must be changed every six months. The installation instructions contain further information for guidance.

Detailed planning information and technical data can be found at www.dornbracht.com/professional

Required miscellaneous

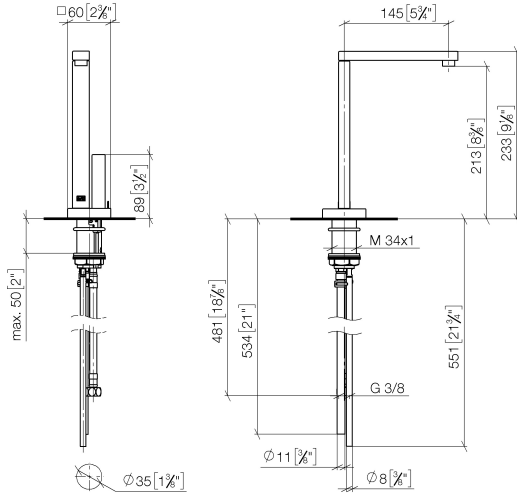


Hot water tank incl. filter -

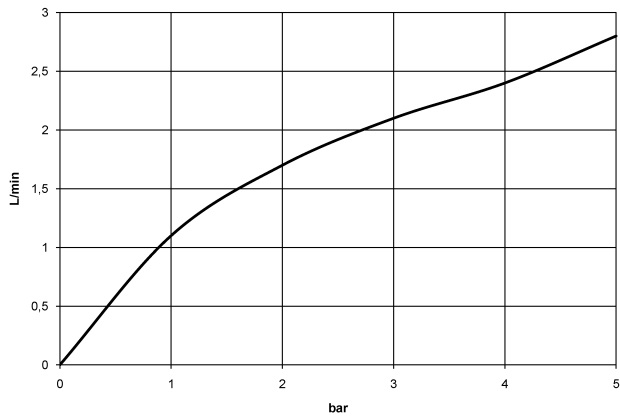
12 892 970 90

17 861 680 Product version from 4/1/2014 to 5/27/2021

mm [inches]



Flow rate chart



Codes & Standards

ASME A112.18.1	cUPC	DIN 4109	ISO 3822
NSF372	NSF61	Ü-Zeichen	



LOT HOT & COLD WATER DISPENSER - Brushed Durabross (23kt Gold)

LOT

17 861 680 Product version from 4/1/2014 to 5/27/2021

Certificates and sustainability

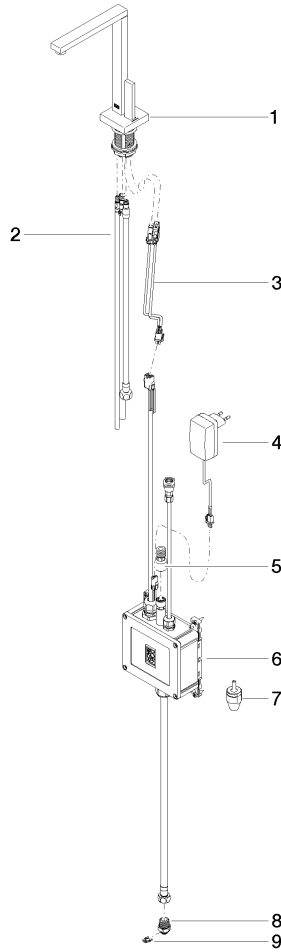
IAPMO_N-4

IAPMO_6

LGA_28

EPD-DOR-20230287 IAPMO_4976 (
-IBA1-EN
Environmental.prod
uct-declarat

17 861 680 Product version from 4/1/2014 to 5/27/2021



Spare parts list

No.	Item Number	Name	Quantity used	Delivery time
6	90 11 11 064 01 90	Control unit for Hot and Cold Water Dispenser 315 x 85 x 210 mm -	1.00	14
5	12 866 970 90	Adapter Flow restrictor HCWD 3/8" -	1.00	14
3	90 10 01 048 00 90	Control unit for Hot and Cold Water Dispenser Electronic component switch 48 x 253 x 59 mm -	1.00	14
1	90 17 85 100 03-28	Spout for Hot and Cold Water Dispenser 520 x 200 x 180 mm - Brushed Durabronz (23kt Gold)	1.00	40
4	04 10 01 050 00 90	Power supply International power supply unit electronic -	1.00	-
Spare part can no longer be ordered, please order the replacement item				
	0410012460090	Power supply International power supply unit electronic -		
8	09 24 04 293 90	Nipple 20,5 x 23 x 30 mm -	1.00	14
9	09 16 01 045 90	Ring 15,4 x 12,48 x 1,39 mm -	1.00	14
7	90 24 04 291 00 90	Connection Venting valve, HCWD Ø 26 x 58 mm -	1.00	14
2	90 30 04 067 00 90	Tube for Hot & Cold Water Dispenser Complete set -	1.00	14