

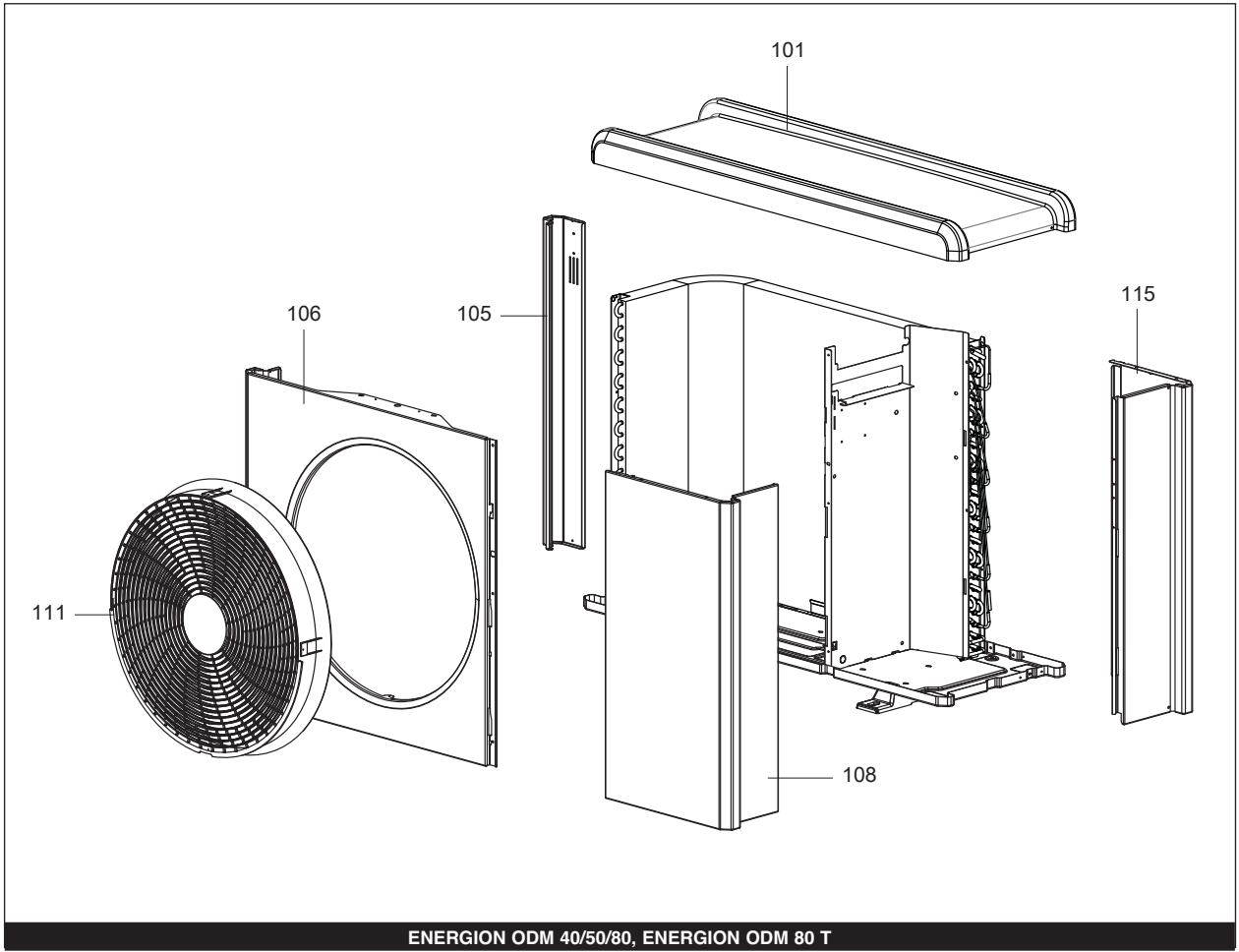
SPARE PARTS EXPLODED VIEW HEAT PUMPS

Model

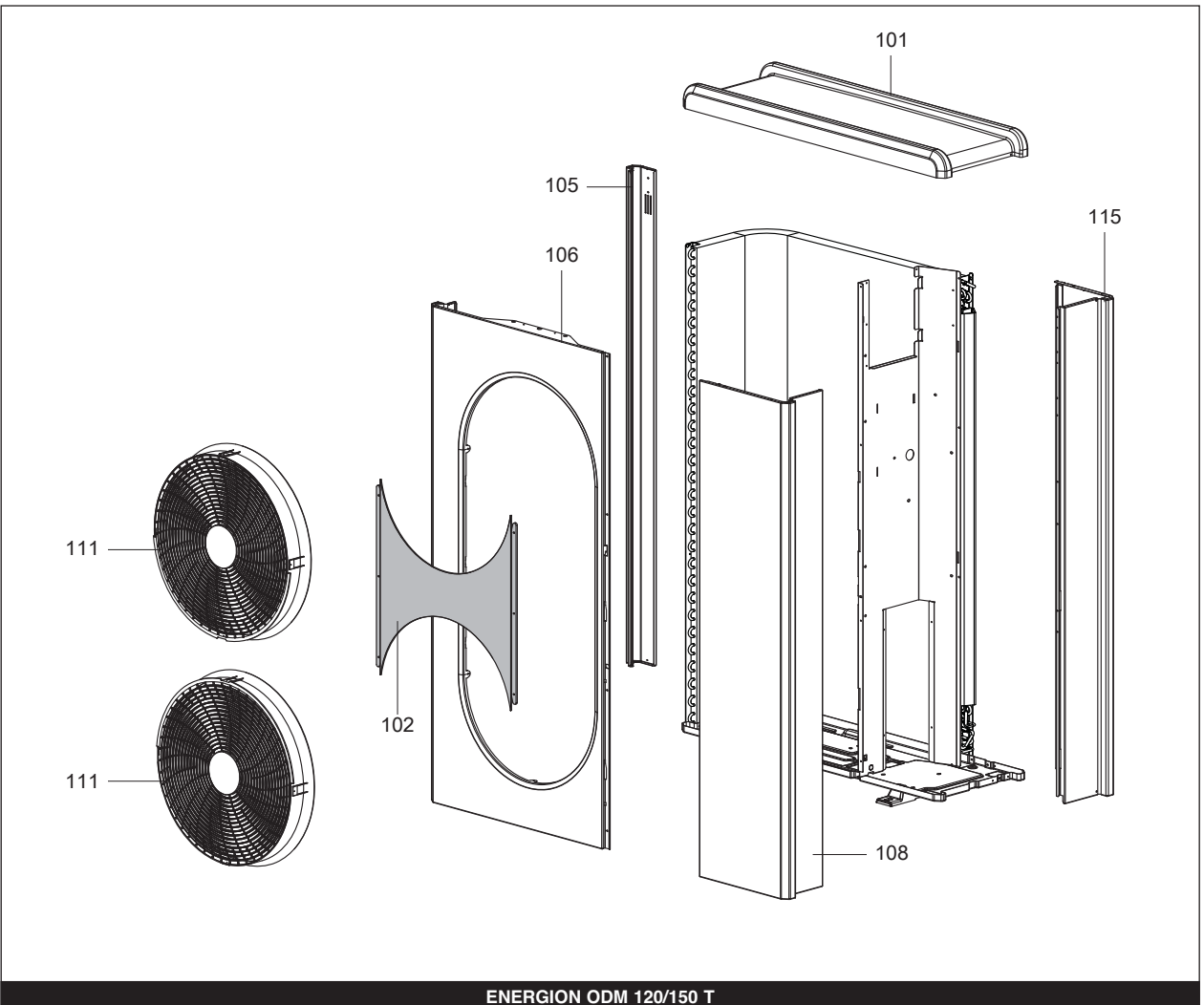
ENERGION ODM R32

R8218789-01 - 17/05/2022

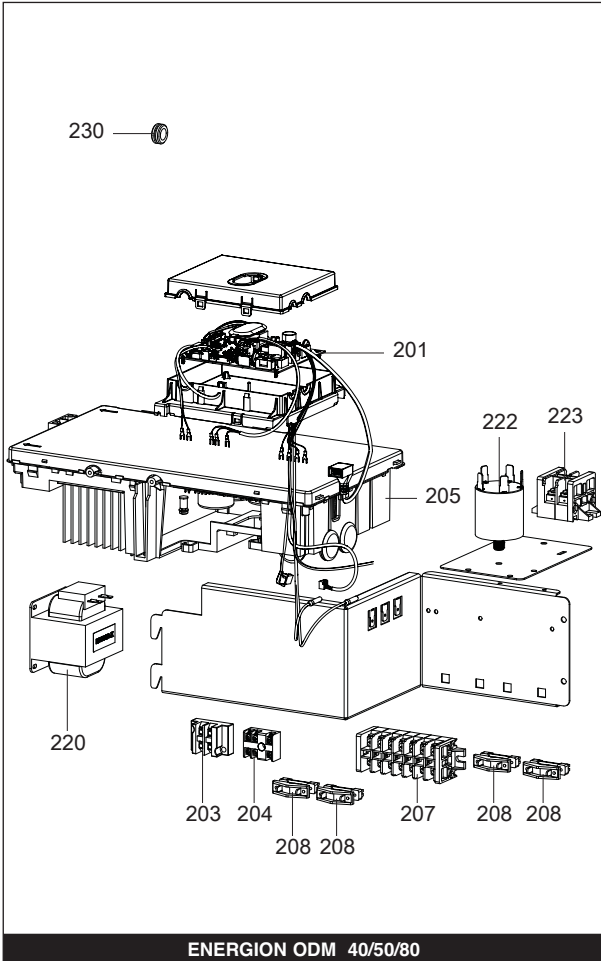
1	3630258	ENERGION ODM 40	08-2021	-
2	3630259	ENERGION ODM 50	08-2021	-
3	3630260	ENERGION ODM 80	08-2021	-
4	3630261	ENERGION ODM 80 T	08-2021	-
5	3630262	ENERGION ODM 120 T	08-2021	-
6	3630263	ENERGION ODM 150 T	08-2021	-
Col	Reference	Model type	Begin	End



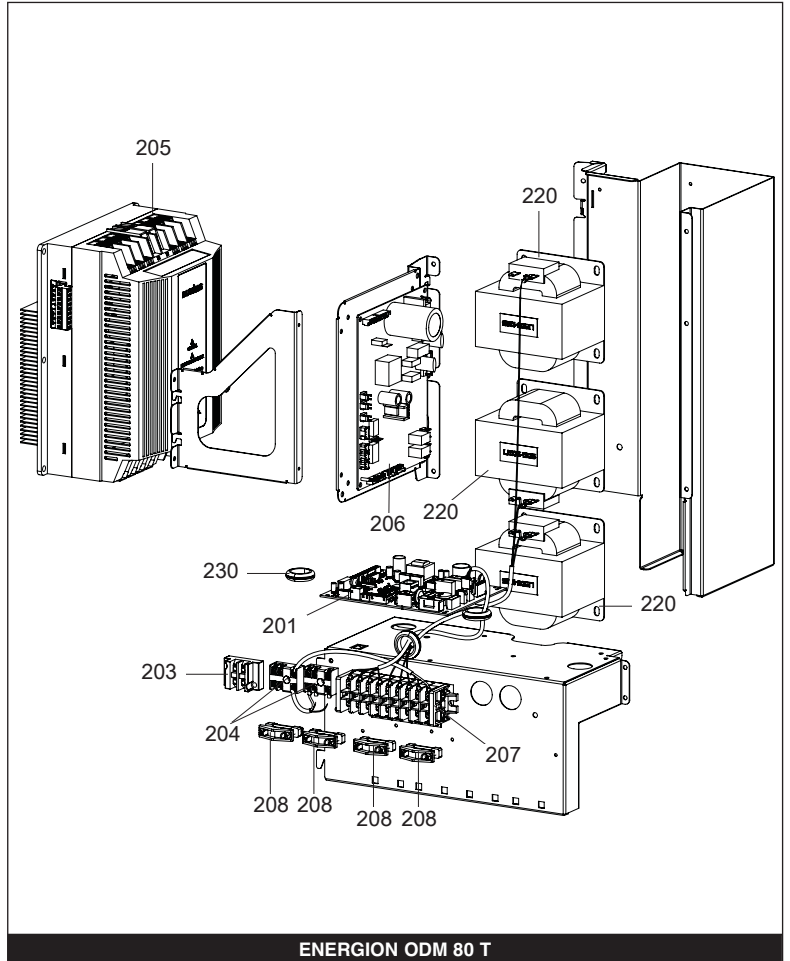
ENERGION ODM 40/50/80, ENERGION ODM 80 T



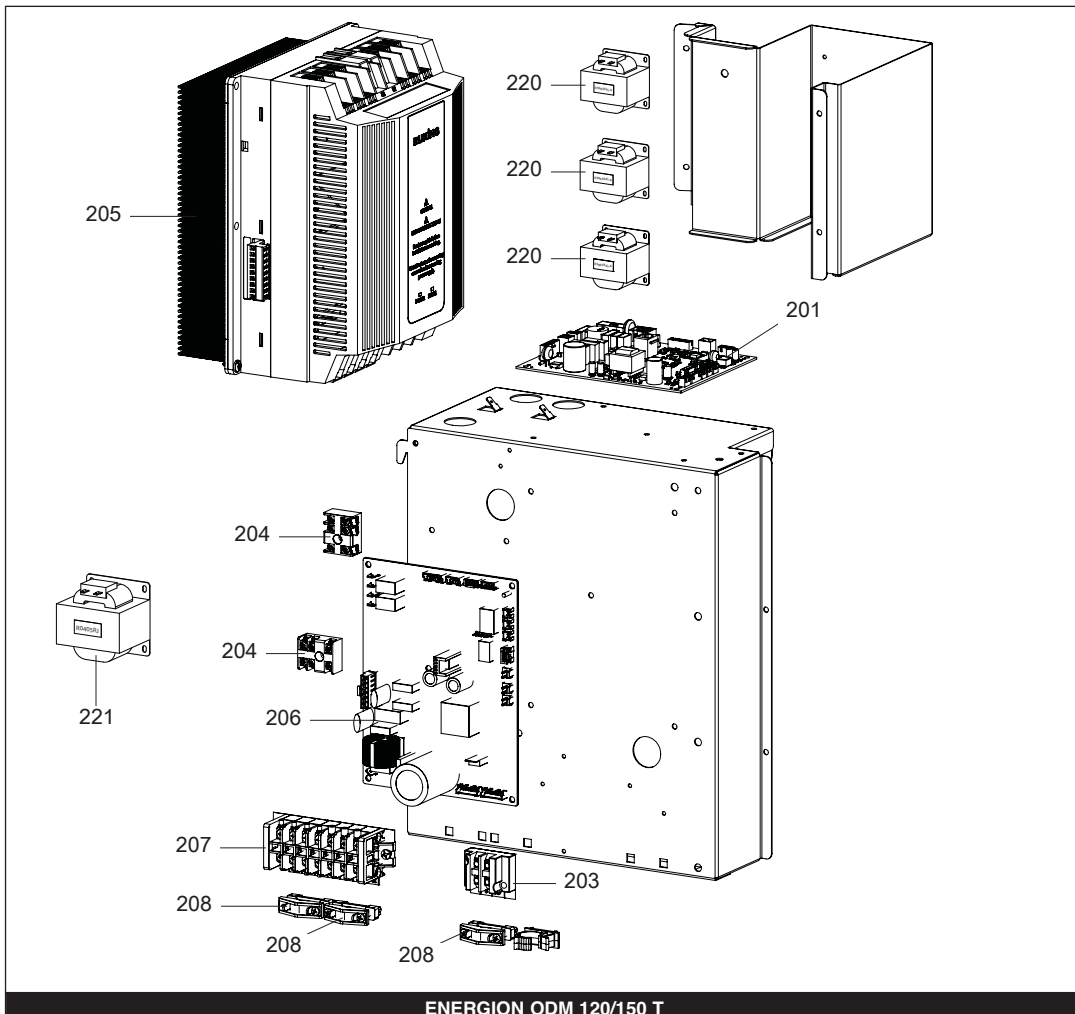
ENERGION ODM 120/150 T



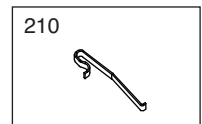
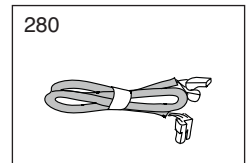
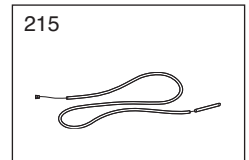
ENERGION ODM 40/50/80



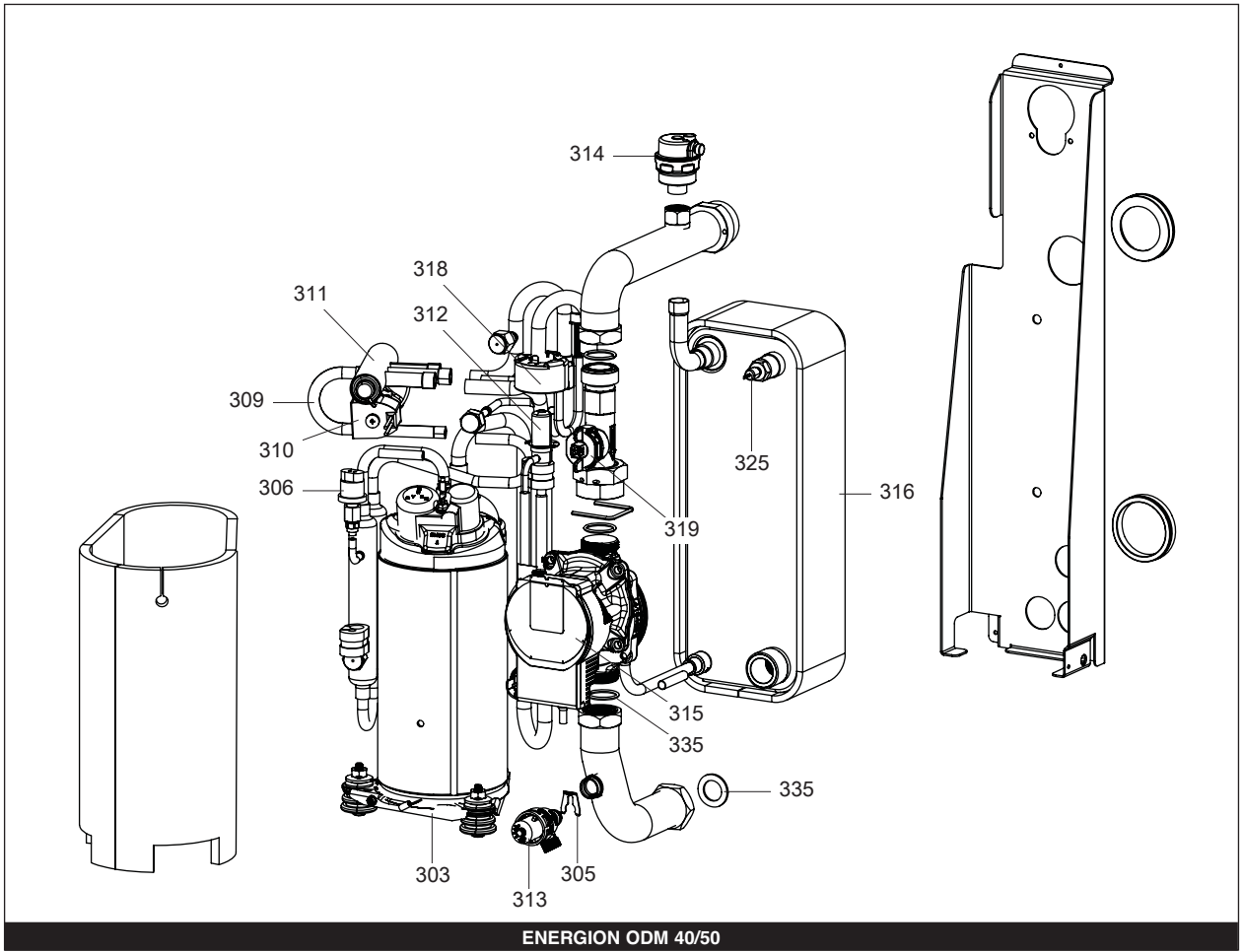
ENERGION ODM 80 T



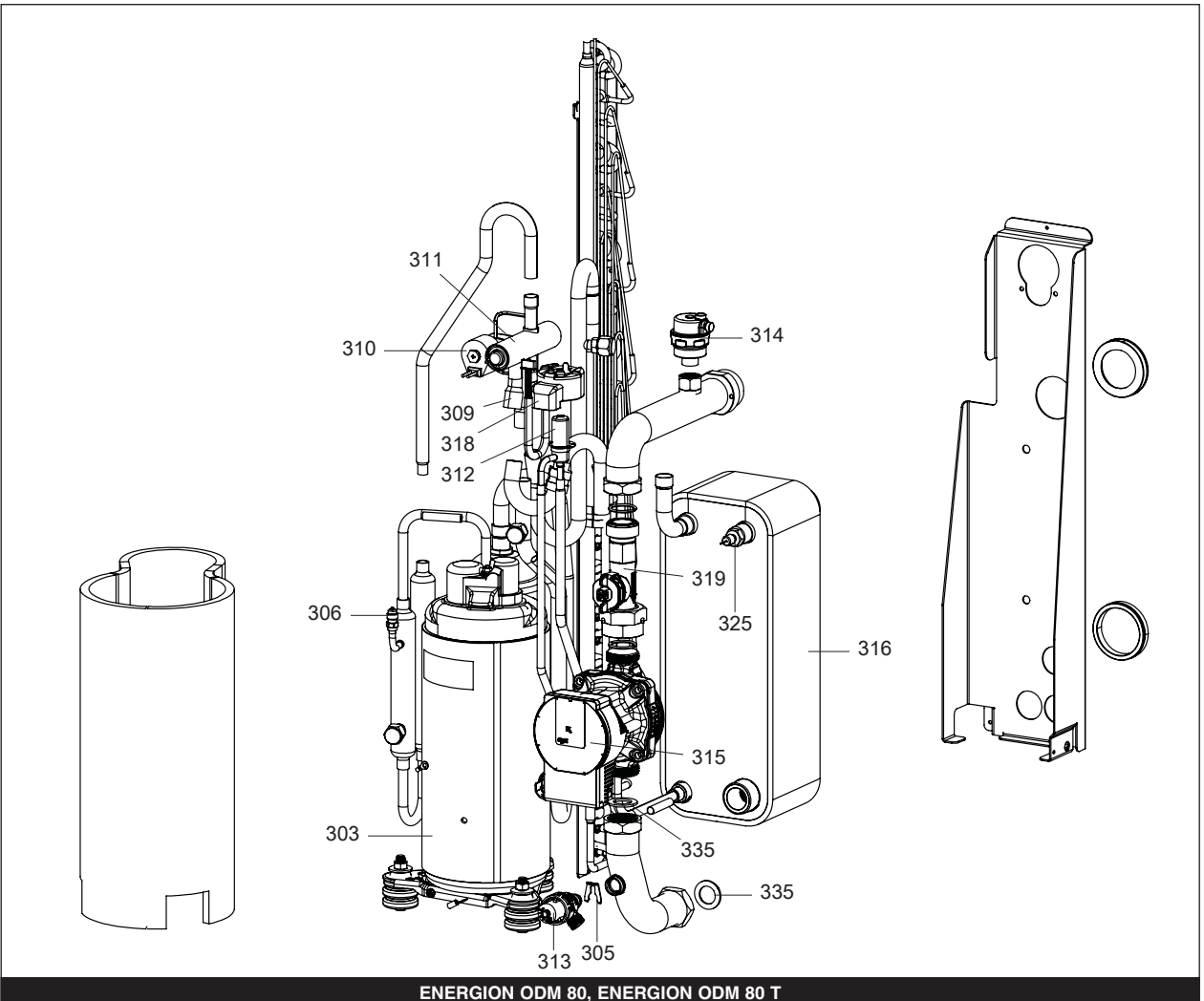
ENERGION ODM 120/150 T



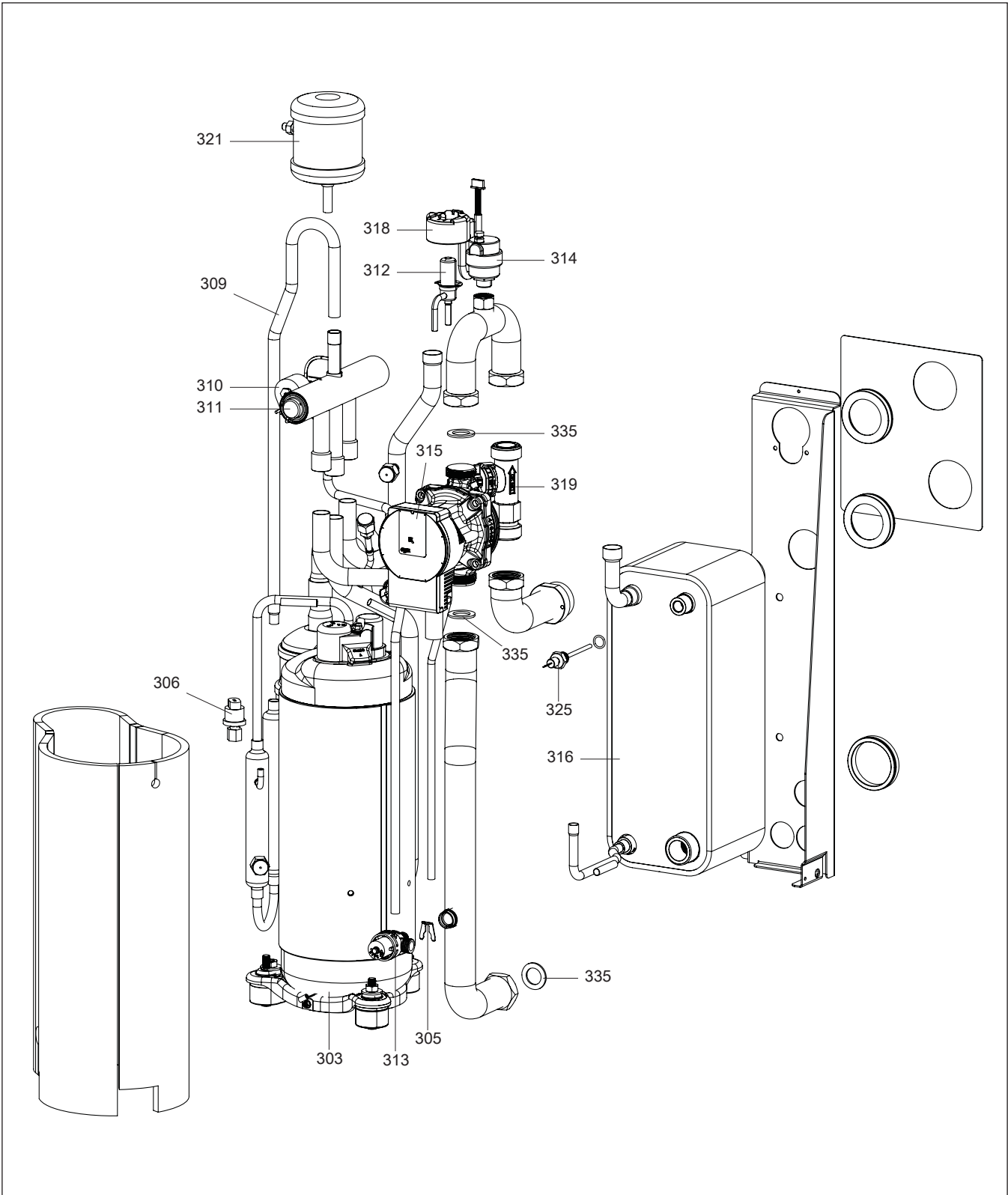
☉⇒	Description	Manf. Pt. N	Type	ENERGION ODM 40 ENERGION ODM 50 ENERGION ODM 80 ENERGION ODM 80 T ENERGION ODM 120 T ENERGION ODM 150 T																		From	to
				1	2	3	4	5	6	7	8	9	10	11	12	13	14	15	16	17	18		
0200	ELECTRICAL BOX																						
0201	P.C.B. (TDM)	65120791		●	●	●	●	●	●														
0203	2-POLES TERMINAL BLOCK	65153705		●	●	●	●	●	●														
0204	3-POLES TERMINAL BLOCK	65153704		●	●	●	●	●	●														
0205	P.C.B. (INVERTER)	65120794		●																			
	P.C.B. (INVERTER)	65120795			●																		
	P.C.B. (INVERTER)	65120796				●																	
	P.C.B. (INVERTER)	65120801								●													
	P.C.B. (INVERTER)	65120800									●												
	P.C.B. (INVERTER)	65120797								●													
0206	CONTROL BOARD	65155053								●	●	●											
0207	7-POLES TERMINAL BLOCK	65153096		●	●	●																	
	9-POLES TERMINAL BLOCK	65153100								●	●	●											
0208	CABLE CLAMP	65120803		●	●	●	●	●	●														
0210	PROBE CLIP	65115989		●	●	●	●	●	●														
0215	PROBE EWT	65155122		●	●	●	●	●	●														
	PROBE LWT	65153396		●	●	●	●	●	●														
	PROBE TD+TO	65155118		●	●	●	●	●	●														
	PROBE TE	65155119		●	●	●	●	●	●														
	PROBE TEO	65155120		●	●	●	●	●	●														
	PROBE TR	65155121		●	●	●	●	●	●														
	PROBE TS	65155117		●	●	●	●	●	●														
0220	REACTOR LE105-1325	65153058								●	●	●											
	REACTOR R2050RJK	65153032		●	●	●																	
0221	REACTOR R0405RJ	65004029									●	●											
0222	FILTER 0,47uF 16A	65151537		●	●																		
0223	2-POLE TERMINAL BLOCK	65155353		●	●																		
0230	GROMMET BLIND	65151603		●	●	●	●																
0280	CABLE (TDM BOARD/NTC PROBE)	65155116		●	●	●	●	●	●														
	CABLE PUMP SPEED CONTROL (PWM)	65118636		●	●	●	●	●	●														
	COMPRESSOR CABLE	65154959		●	●	●																	
	COMPRESSOR CABLE	65155090								●	●	●											
	CONNECTION CABLE (INVERTER - TDM)	65155078		●	●	●																	
	CONNECTION CABLE (OUTDOOR - INDOOR)	65155087		●	●	●	●	●	●														
	CONNECTION WIRING (INVERTER - TDM)	65119965																					
	CONNECTION WIRING (INVERTER - TDM)	65155367								●	●												
	FLOW SWITCH WIRE	65153946		●	●	●	●	●	●														
	TDM BOARD WIRING (POWER SUPPLY)	65154958		●	●	●																	
	WIRING (CONTROL BOARD)	65155083								●													
	WIRING (INVERTER)	65155366								●	●	●											
	WIRING (KLIXON)	65155504		●	●	●	●	●	●														
	WIRING (REACTOR - INVERTER)	65155084								●	●	●											
	WIRING (REACTOR - TERMINAL BLOCK)	65155085								●	●	●											
	WIRING (TDM - TERMINAL BLOCK)	65155079		●	●	●	●	●	●														
	WIRING (TDM)	65155082								●													
	WIRING PUMP YONOS PARA	65118223		●	●	●	●	●	●														



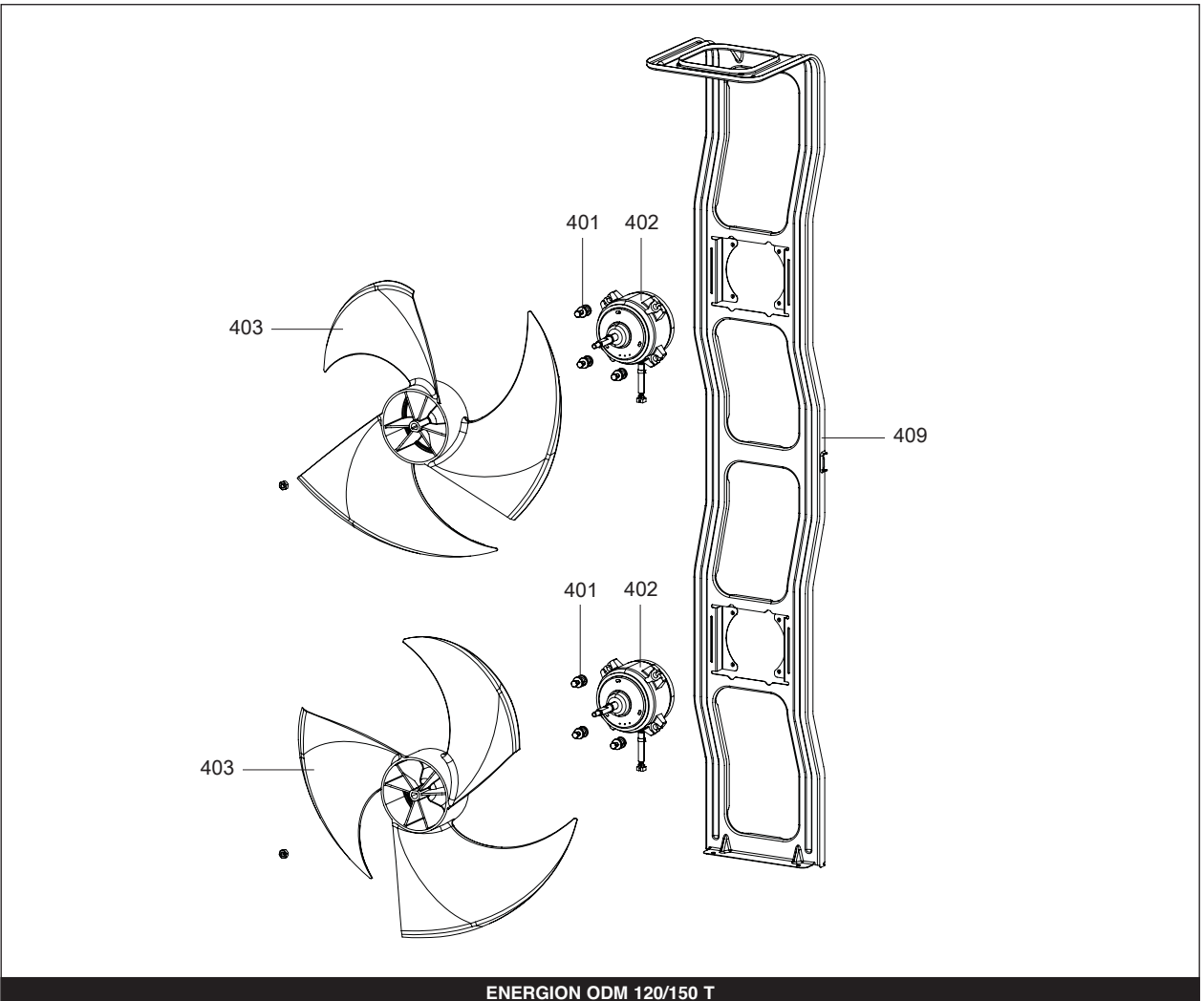
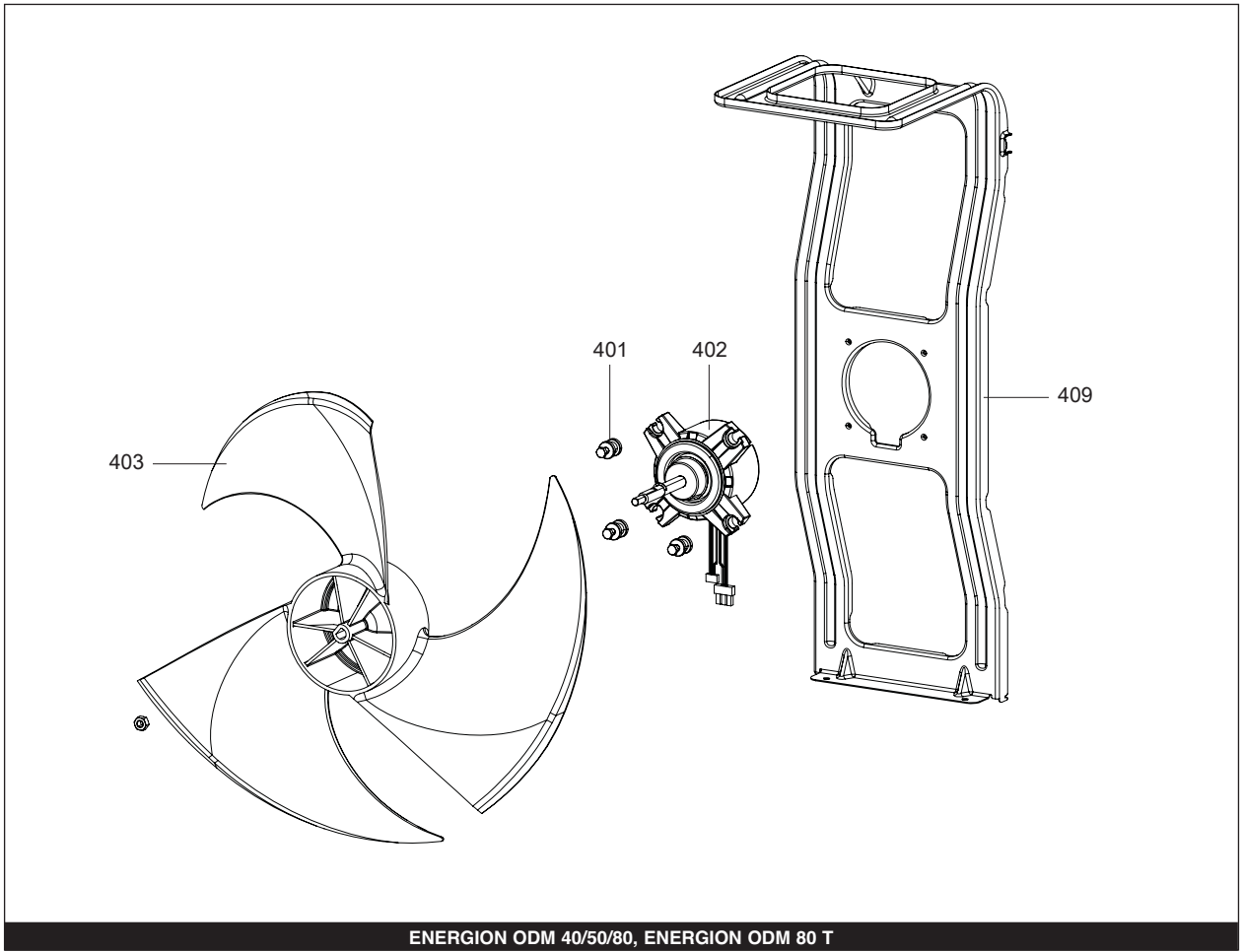
ENERGION ODM 40/50



ENERGION ODM 80, ENERGION ODM 80 T



ENERGION ODM 120/150 T



LIST OF THE ABBREVIATIONS

HW	: Hot water.
CW	: Cold water.
C	: Ceramic resistance (normal heating).
Ca	: Ceramic resistance (accelerated heating)
TP	: Immersion heater.
1F	: With fittings.
2F	: Without fittings.
3F	: With fittings and another outlet connection.
AMI	: With mixing valve.
SMI	: Without mixing valve.
PUISS	: Power of th appliance.
PN	: Appliance with normal pression.
LP	: Appliance with low pression.
PV	: Appliance with variable power.
PF	: Appliance with fixed power.

IDENTIFICATION PLATE

SERIAL NUMBER

12 Characters : 004.07.10.T07CX

Sequential number	004	07	10	T07CX	Product model
					Month of manufacture
					Year of manufacture

OR

12 Characters : 4 H E 56378

Fixed reference	4	H	E	56378	Sequential number
					Fixed reference
					Sequential number

15 Characters : AI010 XX 09 043 002

Product model	AI010	XX	09	043	002	Sequential number
						Day of manufacture
						Year of manufacture

21 Characters : 3675007 XX 07 070 0000315

Product reference	3675007	XX	07	070	0000315	Sequential number
Year of manufacture						Manufacturing day