

32 815 875 Product version from 1/1/2025



- 241mm projection
- pivotable spout 360°
- Optional swivel limiter available with swivel limiter set 12 820 970 90
- air-enriched flow
- max. flow 8 l/min at 3 bar flow pressure
- lead-free
- This product can help a building meet the requirements of Green Building Rating Systems, e.g. LEED®, BREEAM®, DGNB
- WRAS

Operating unit can be positioned freely.

	Brushed Dark Bronze (PVD)	32 815 875-43
	Chrome	32 815 875-00
	Brushed Platinum	32 815 875-06
	Platinum	32 815 875-08
	Dark Chrome	32 815 875-19
	Brushed Durabronze (23kt Gold)	32 815 875-28
	Matte Black	32 815 875-33
	Brushed Dark Brass (PVD)	32 815 875-39
	Brushed Bronze (PVD)	32 815 875-42
	Brushed Champagne (22kt Gold)	32 815 875-46
	Champagne (22kt Gold)	32 815 875-47
	Brushed Chrome	32 815 875-93
	Brushed Dark Platinum	32 815 875-99

Recommended miscellaneous

Dispenser with rosette - Brushed Dark Bronze (PVD) 82 444 970-43



Recommended miscellaneous

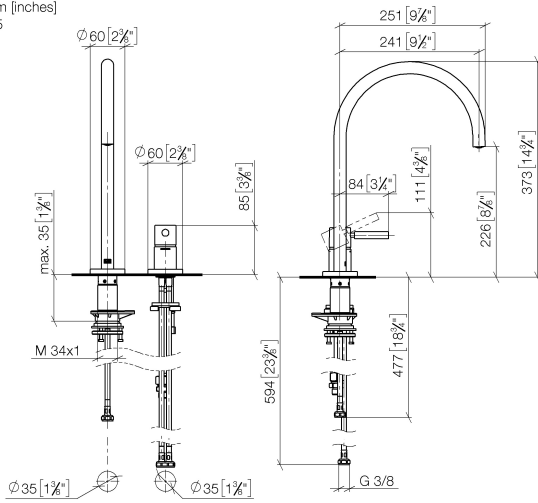
Strainer waste with control handle - Brushed Dark Bronze (PVD) 10 710 970-43



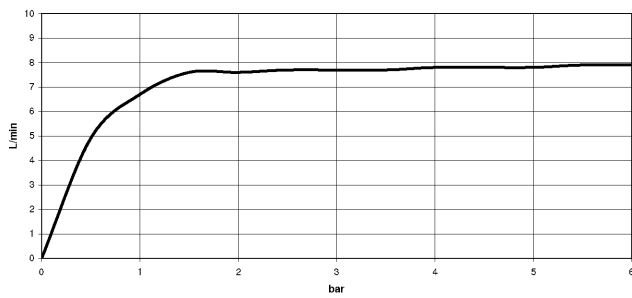
32 815 875 Product version from 1/1/2025

mm [inches]

1:5



Flow rate chart



Codes & Standards

DIN 4109

ISO 3822

Scottish Water
Byelaws

UK Water Supply
Regulations

Ü-Zeichen



TARA ULTRA Two-hole mixer with individual rosettes - Brushed Dark Bronze
(PVD)

TARA ULTRA

32 815 875 Product version from 1/1/2025

Certificates and sustainability

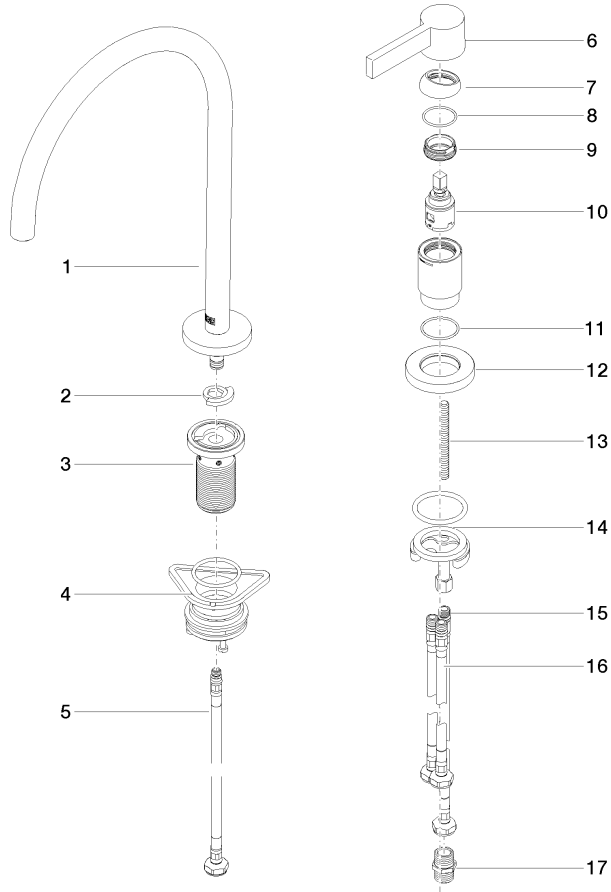
WRAS_240102

LGA_38

EPD-DOR-20230287
-IBA1-EN
Environmental.prod
uct-declarat

32 815 875 Product version from 1/1/2025

Parts for other finishes can be found here: [Chrome](#)



32 815 875 Product version from 1/1/2025

Spare parts list

No.	Item Number	Name	Quantity used	Delivery time
	2 12 820 970 90	Swivel limitation set -	1.00	14
	8 09 14 10 091 90	O-Ring NBR 70 26,5 x 1,72 mm -	1.00	14
	11 09 14 10 110 90	O-Ring 29,82 x 1,78 mm -	1.00	14
	3 90 30 01 299 00 90	shaft	1.00	14
	15 04 30 04 104 00 90	High pressure hose M10x1 x 3/8" x 420 mm -	1.00	14
	6 90 20 87 003 00-43	handle	1.00	-
Spare part can no longer be ordered, please order the replacement item				
	13 09 31 11 011 90	Mounting Threaded bolt M8 x 80 mm -	1.00	14
	16 04 30 04 105 00 90	High pressure hose M10x1 x 3/8" x 600 mm -	2.00	14
	5 04 30 04 100 00 90	High pressure hose M8x1 x 3/8" x 420 mm -	1.00	14
	9 09 24 04 266 90	Mounting Ø 28 x 10,8 mm -	1.00	14
	10 90 15 05 042 00 90	Cartridge Ø 25 x 52 mm -	1.00	14
	7 09 28 30 026-43	Cover Ø 36 x 12 mm - Brushed Dark Bronze (PVD)	1.00	82
	4 04 23 10 044 08 90	Attachment set -	1.00	14
	1 90 28 22 377 00-43	spout	1.00	-
Spare part can no longer be ordered, please order the replacement item				
	12 09 27 97 040-43	Rosette Ø 60 x 9 x Ø 35 mm - Brushed Dark Bronze (PVD)	1.00	82
	17 90 24 03 250 00 90	Adapter Double nipple 3/8" -	1.00	14
	14 04 30 11 085 97 90	Mounting with O-ring Ø40 x 4mm with spacer sleeve Ø 52 x 1,5 mm -	1.00	14