

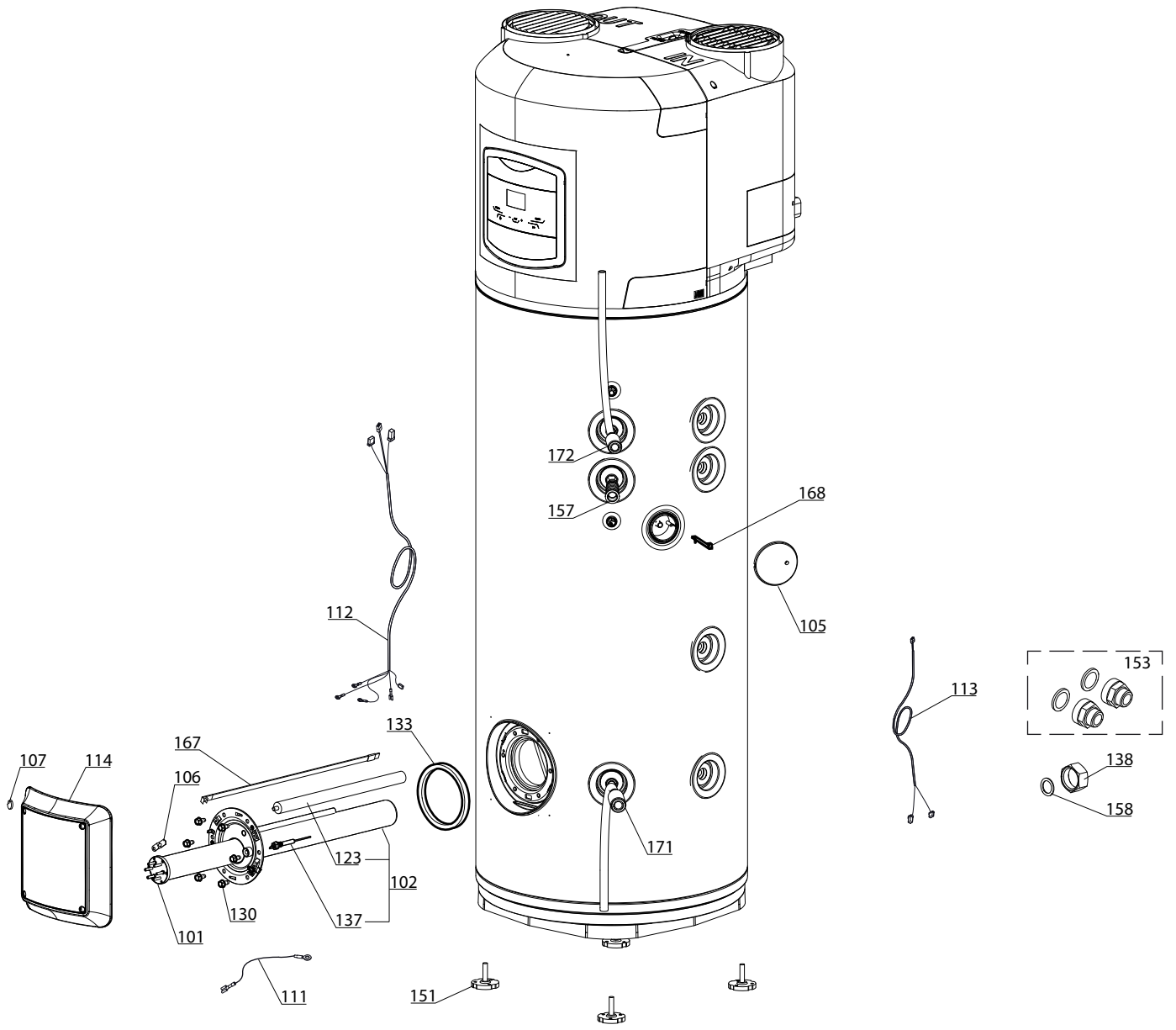
SPARE PARTS EXPLODED VIEW HEAT PUMPS

Model

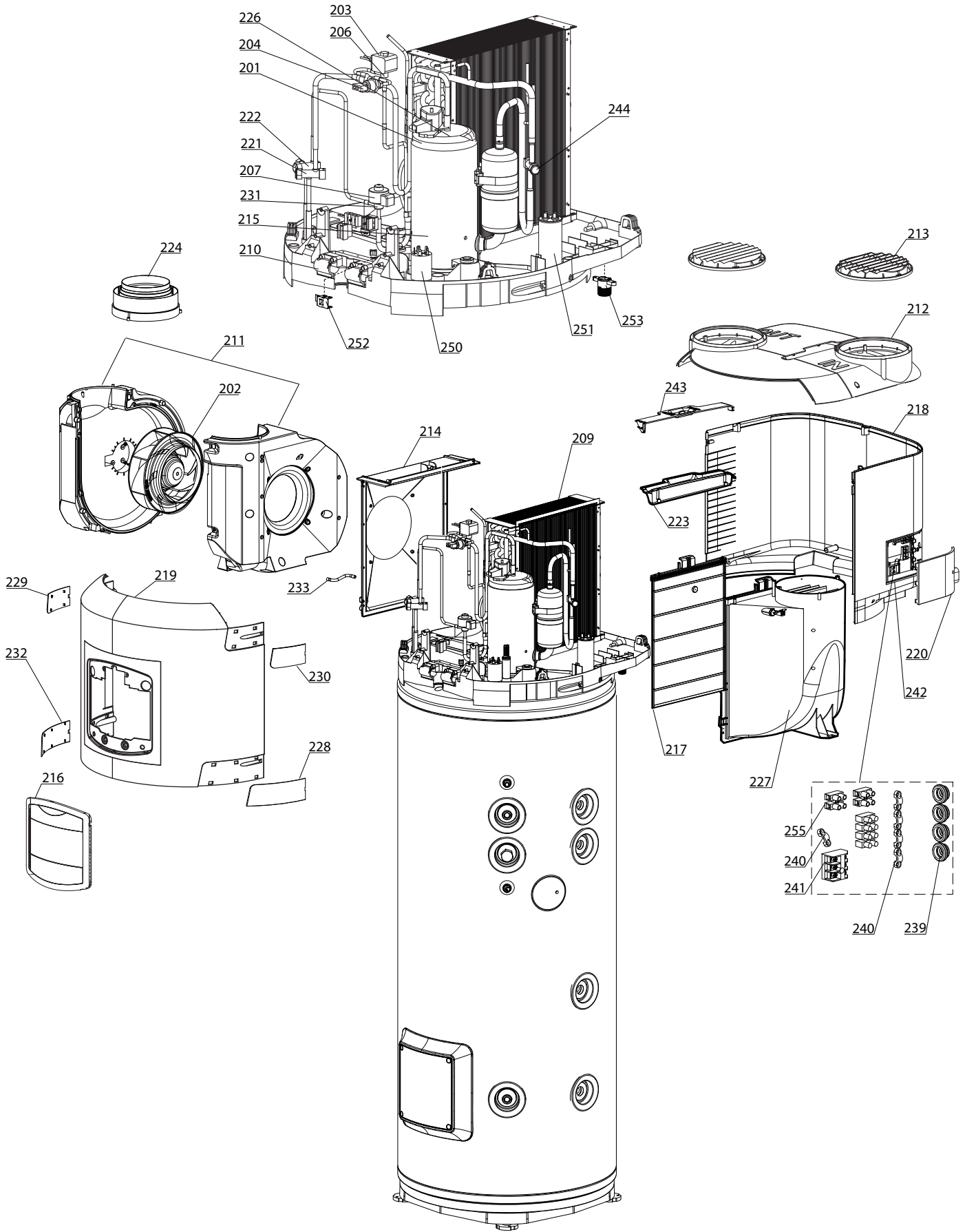
ENERGION NUOS PLUS

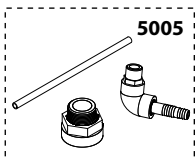
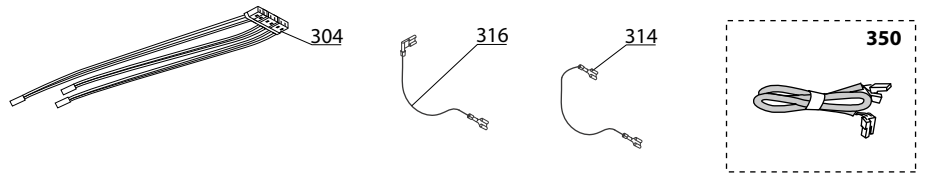
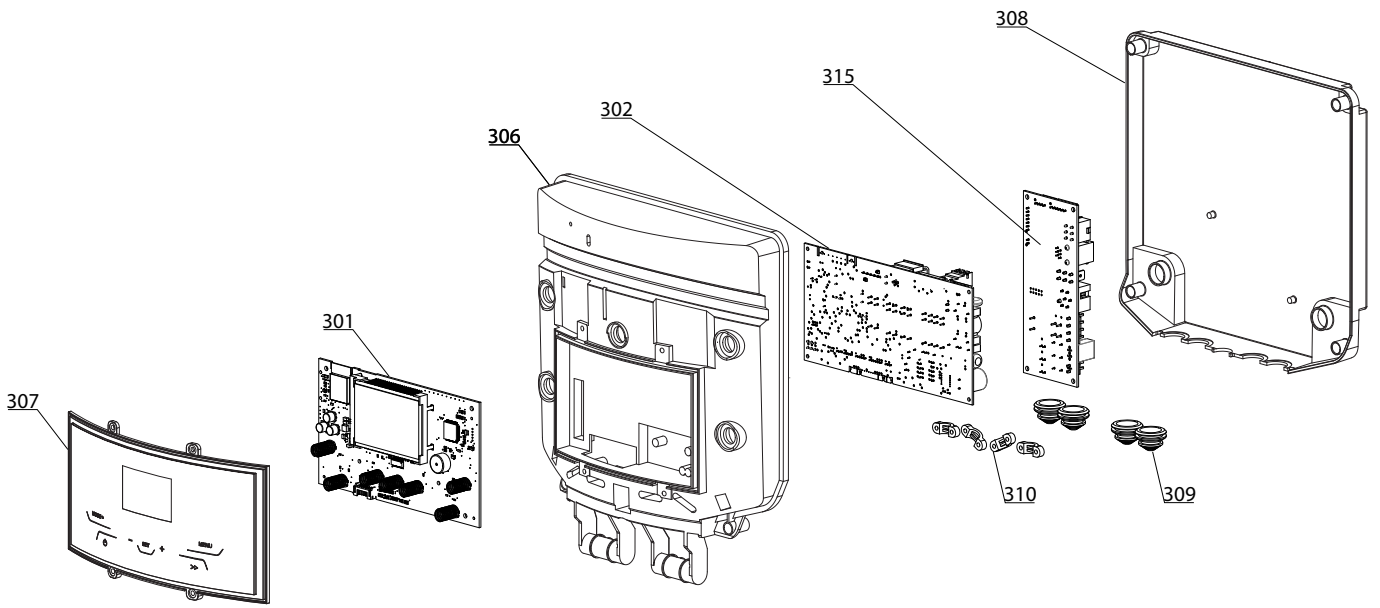
R8218724-04 - 20/03/2023

1	3069809	ENERGION NUOS PLUS 200	05-2021	-
2	3069810	ENERGION NUOS PLUS 250	05-2021	-
3	3069811	ENERGION NUOS PLUS 250 SYS	05-2021	-
4	3069812	ENERGION NUOS PLUS 250 TWIN SYS	05-2021	-
Col	Reference	Model type	Begin	End



☉⇒	Description	Manf. Pt. N	Type																									
				1	2	3	4	5	6	7	8	9	10	11	12	13	14	15	16	17	18	From	to					
0100	HOT WATER TANK																											
0101	CERAMIC RESISTANCE 1000+1500W	60001714		●	●	●	●																					
0102	FLANGE WITH ANODES	60002530					●	●																				
	FLANGE WITH ANODES	60003359		●	●																							
0105	PROBE COVER	60002538		●	●	●	●																					
0106	FIXING BRACKET	60072531		●	●	●	●																					
0107	SCREW COVER	60002714		●	●	●	●																					
0111	EARTH WIRE	60002273		●	●	●	●																					
0112	WIRING (FLANGE-MAIN P.C.B.)	60003353		●																								
	WIRING (FLANGE-MAIN P.C.B.)	60003354				●	●	●																				
0113	NTC PROBE CABLE	60003355		●	●	●	●																					
0114	FLANGE COVER	65154811		●	●	●	●																					
0123	ANODE D:25,5 L:380 M8	65102462		●	●	●	●																					
0130	SCREW M8X14 (6 PCES)	60000681		●	●	●	●																					
0133	FLANGE GASKET	65120758		●	●	●	●																					
0137	ANODE (PROTECH)	65111197		●	●	●	●																					
0138	PLUG	61013305					●	●																				
0151	ADJUSTABLE FOOT	65111175		●			●	●																				
0153	DIELECTRIC FITTINGS 3/4in UBA	60003391		●	●			●	●																			
0157	INSERT (PLASTIC) 3/4 UBA	60003388							●	●																		
0158	SHEET GASKET D: 24-16-1.5	61019058							●	●																		
0167	SENSOR	65102543		●	●	●	●																					
0168	PROBE	60002537		●	●	●	●																					
0171	COLD WATER PIPE	60003498		●	●	●	●																					
0172	HOT WATER PIPE	60003494		●	●	●	●																					





LIST OF THE ABBREVIATIONS

HW	: Hot water.
CW	: Cold water.
C	: Ceramic resistance (normal heating).
Ca	: Ceramic resistance (accelerated heating)
TP	: Immersion heater.
1F	: With fittings.
2F	: Without fittings.
3F	: With fittings and another outlet connection.
AMI	: With mixing valve.
SMI	: Without mixing valve.
PUISS	: Power of th appliance.
PN	: Appliance with normal pression.
LP	: Appliance with low pression.
PV	: Appliance with variable power.
PF	: Appliance with fixed power.

IDENTIFICATION PLATE

SERIAL NUMBER

9 Characters : 07 91 00301 (from 01/77 to 12/92)

Month of manufacture 07 91 Sequential number 00301
Year of manufacture 07 91

10 Characters : 95 01 065004 (from 01/93 to 06/95)

Year of manufacture 95 01 Sequential number 065004
Month of manufacture 95 01

OU

10 Characters : 01 95 065004 (from 07/95)

Month of manufacture 01 95 Sequential number 065004
Year of manufacture 01 95

12 Characters : 924 2 3 134 0115

Product reference 924 2 3 Sequential number 134 0115
Year of manufacture 924 2 3 Manufacturing day 134 0115

15 ou 16 Characters : (0)03 070 0001 893077 (from 01/97 to 01/05)

Year of manufacture (0)03 070 Product reference 893077
Day of manufacture (0)03 070 Sequential number 0001 893077

OU

16 Characters : 05 070 0001 0000000 (from 02/05)

Year of manufacture 05 070 Product reference 0001 0000000
Day of manufacture 05 070 Sequential number 0001 0000000

17 Characters : 07 070 00315 3070107

Year of manufacture 07 070 Product reference 00315 3070107
Sequential number 00315 3070107
Manufacturing day (70) 00315 3070107

21 Characters : 3000115 XX 08115 0000001

Product reference 3000115 XX Sequential number 08115 0000001
Year (08) / Manufacturing day (115) 08115 0000001

22 Characters : 3000115 XX 070416 0000001

Product reference 3000115 XX Sequential number 070416 0000001
Year (07) / Month (04) / Manufacturing day (16) 070416 0000001