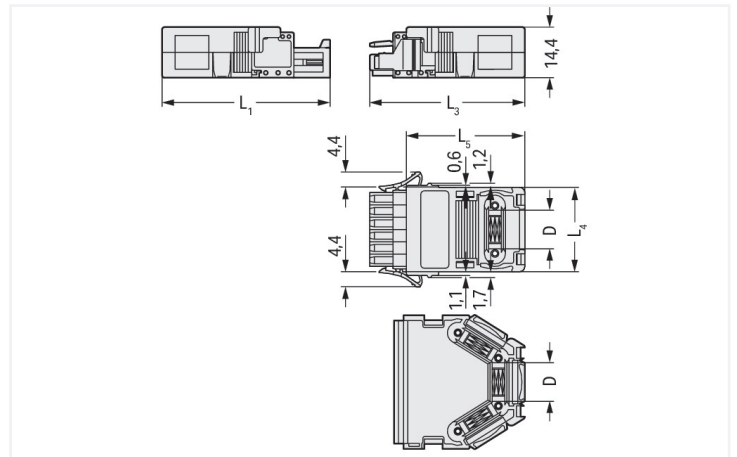
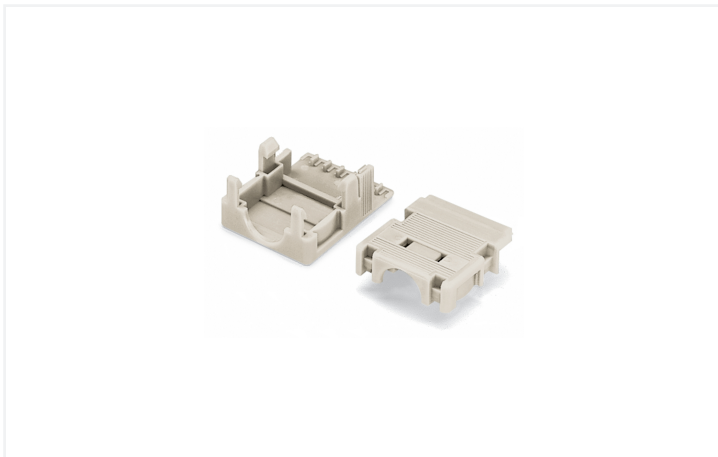


# Data Sheet | Item Number: 734-607

Strain relief housing; for female and male connectors; 2 parts; Pin spacing 3.5 mm;  
7-pole; light gray

<https://www.wago.com/734-607>



Color: ■ light gray

Similar to illustration

Dimensions in mm

### Strain Relief Housing Dimensions (in mm):

| Pole No. | L4   | L3   | L1   | L5   | D    |
|----------|------|------|------|------|------|
| 2        | 10.0 | 43.1 | 46.8 | 32.7 | 5.0  |
| 3        | 13.5 | 43.1 | 46.8 | 32.7 | 8.5  |
| 4        | 17.0 | 43.1 | 46.8 | 32.7 | 8.5  |
| 5        | 20.5 | 43.1 | 46.8 | 32.7 | 8.5  |
| 6        | 24.0 | 44.1 | 47.8 | 33.7 | 11.5 |
| 7        | 27.5 | 44.1 | 47.8 | 33.7 | 11.5 |
| 8        | 31.0 | 44.1 | 47.8 | 33.7 | 11.5 |
| 9        | 34.5 | 44.1 | 47.8 | 33.7 | 11.5 |
| 10       | 38.0 | 53.1 | 56.8 | 42.7 | 11.5 |
| 11       | 41.5 | 53.1 | 56.8 | 42.7 | 11.5 |
| 12       | 45.0 | 53.1 | 56.8 | 42.7 | 11.5 |

- Suitable for cable clamp
- 1 x cable outlet, rear

### Connection data

#### Connection 1

Pole number 7

### Physical data

|             |                        |
|-------------|------------------------|
| Pin spacing | 3.5 mm / 0.138 inches  |
| Width       | 27.5 mm / 1.083 inches |
| Height      | 14.4 mm / 0.567 inches |
| Depth       | 33.7 mm / 1.327 inches |

### Mechanical data

|          |   |
|----------|---|
| Suitable | for standard male and female connectors |
|----------|---|

### Material data

|                                    |  |
|------------------------------------|--|
| Note (material data)               | <a href="#">Information on material specifications can be found here</a> |
| Color                              | light gray   |
| Material group                     | I  |
| Insulation material (main housing) | Polyamide (PA66)   |
| Flammability class per UL94        | V0   |
| Fire load                          | 0.127 MJ   |
| Weight                             | 4.2 g  |

### Commercial data

|                       |                        |
|-----------------------|------------------------|
| Product Group         | 3 (Multi Conn. System) |
| PU (SPU)              | 25 pcs                 |
| Packaging type        | Box                    |
| Country of origin     | DE                     |
| GTIN                  | 4017332693967          |
| Customs tariff number | 39269097900            |

### Product Classification

|             |                      |
|-------------|----------------------|
| UNSPSC      | 39121421             |
| eCl@ss 10.0 | 27-44-04-92          |
| eCl@ss 9.0  | 27-44-04-92          |
| ETIM 9.0    | EC002848             |
| ETIM 10.0   | EC002848             |
| ECCN        | NO US CLASSIFICATION |

### Environmental Product Compliance

|                        |                         |
|------------------------|-------------------------|
| RoHS Compliance Status | Compliant, No Exemption |
|------------------------|-------------------------|

### Approvals / Certificates

#### General approvals



| Approval                        | Standard | Certificate Name |
|---------------------------------|----------|------------------|
| CCA<br>DEKRA Certification B.V. | EN 61984 | 2169534.02       |
| CCA<br>DEKRA Certification B.V. | EN 61984 | nl-54190         |

#### Approvals for marine applications



| Approval                                | Standard  | Certificate Name  |
|---|-----------|-------------------|
| ABS<br>American Bureau of Ship-<br>ping | -         | 24-0095975-PDA    |
| DNV<br>DNV GL SE                        | -         | TAE000016Z        |
| LR<br>Lloyds Register                   | IEC 61984 | 96/20035 (E5)     |
| PRS<br>Polski Rejestr Statków           | -         | TE/1095/880590/23 |

**Downloads**

**Environmental Product Compliance**

|  |  |  |   |
|--|--|--|---|
| Compliance Search                        |  |  |   |
| Environmental Product Compliance 734-607 |  |  | ↓ |

**Documentation**

|                        |            |                   |   |
|------------------------|------------|-------------------|---|
| Additional Information |            |                   |   |
| Technical Section      | 03.04.2019 | pdf<br>2027.26 KB | ↓ |

**CAD/CAE-Data**

|                      |  |  |   |
|----------------------|--|--|---|
| CAD data             |  |  |   |
| 2D/3D Models 734-607 |  |  | ↓ |

|                           |   |
|---------------------------|---|
| CAE data                  |   |
| EPLAN Data Portal 734-607 | ↓ |
| ZUKEN Portal 734-607      | ↓ |

**1 Compatible Products**

**1.1 Required Accessories**

**1.1.1 Strain relief**

**1.1.1.1 Mounting accessories**

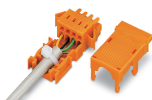


[Item No.: 209-177](#)  
Cable clamp; for strain relief; 4- to 6-pole

[Item No.: 209-172](#)  
Fixing screws; for cable clamp; 6- to 12-pole

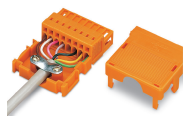
**Installation Notes**

**Application**



4-pole, 1-conductor female connector, with locking levers and strain relief housing (2- to 5-pole strain relief housing suitable only for cable ties)

## Application



8-pole; 1-conductor male connector; with strain relief housing (6- to 12-pole strain relief housings suitable for cable clamp)