

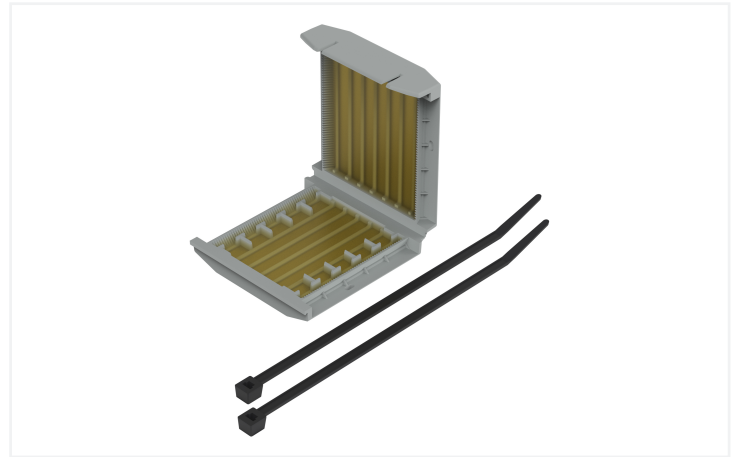
Data Sheet | Item Number: 207-1375

Gelbox; inline connection; for cables; with gel; 221 Series; max. 4 mm² connectors; without splicing connectors; Size 3; gray

<https://www.wago.com/207-1375>



Color: ■ gray



Application Examples

- Bathroom installation (DIN VDE 0100-701)
- Washing facilities/irrigation systems
- Farms and garden centers (DIN VDE 0100-0705)
- Swimming pool areas (DIN VDE 0100-702)
- Parking lot lighting

- Charging stations and lighting systems in ports

Note on Packaging Unit (PU) and Subpackaging Unit (SPU):

If you order a full PU, you will receive our eco-friendly, sustainable cardboard blisters packed in a shelf-ready box.

If you order a quantity smaller than a full PU, you will receive the eco-friendly, sustainable cardboard blisters without a shelf-ready box.

Please refer to the system description for the splicing connectors that can be used.

Your Benefits:

- Easy, fast and safe to use
- Can be used immediately and accessed again later
- Silicon-free
- Label-free
- Suitable for indefinite storage
- The complete system, which consists of gelboxes and WAGO splicing connectors, has been VDE-tested and IPX8-certified.

Connection Data

Connection 1

Actuation type	Locking system
----------------	----------------

Physical data

Width	60.7 mm / 2.362 inches
Height	17.8 mm / 0.669 inches
Depth	56.9 mm / 2.205 inches

Mechanical data

Design	Size 3
Mounting type	Flying leads
Protection type	IPX8
Suitable	for 4 mm ² inline splicing connectors

Material data

Note (material data)	Information on material specifications can be found here
Color	gray
Housing material	Polypropylene
Weight	40.4 g

Environmental requirements

Ambient temperature (operation)	-55 ... +85 °C
Ambient temperature (storage)	0 ... +40 °C

Commercial data

PU (SPU)	14 (2) pcs
Packaging type	Box
Country of origin	IT
GTIN	4066966809879
Customs tariff number	39269097900

Product Classification

UNSPSC	39121402
ETIM 9.0	EC001170
ETIM 10.0	EC001170
ECCN	NO US CLASSIFICATION

Environmental Product Compliance

RoHS Compliance Status	Compliant, No Exemption
------------------------	-------------------------

Approvals / Certificates

General approvals



Approval	Standard	Certificate Name
VDE VDE Prüf- und Zertifizierungsinstitut	EN 60998	40051938

Declarations of conformity and manufacturer's declarations

Approval	Standard	Certificate Name
EU-Declaration of Conformity WAGO GmbH & Co. KG	-	-

Downloads

Environmental Product Compliance

Compliance Search
Environmental Product Compliance 207-1375 ↓

Documentation

System Description		
System Description 207 Series Gel boxes	pdf 1156.45 KB	↓
System Description 207 Series Gel boxes	pdf 1191.37 KB	↓

Installation Notes

Installation



Open the Gelbox by releasing the side latches.



Insert the installed connectors into the designated T-shaped holders inside the Gelbox and press them firmly into place.

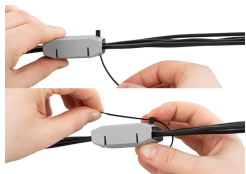


Close the Gelbox by pressing the side latches shut one after the other.



Thread the cable ties through the designated elongated slots. Use original cable ties only!

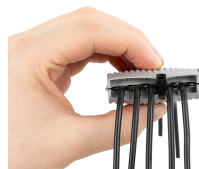
Installation



Guide the tip of the cable tie through the locking head along the housing and tighten it. Hold the head in place with your finger while tightening.



Repeat the process on the opposite side so that the cable ties are securely fastened on both sides.



Perform a visual inspection on both sides to verify proper gel displacement. All conductors must be fully enclosed by the gel. Trim the cable ties flush with the cable tie head.

Application



For low voltage applications > 50 V, use the Gelbox in a junction box.



Connecting a path light.



Lift the flap and pull the cover perforation forward.



Press in the perforation on the sides.



Tear off the cover from the perforation.



As a counter display: Bend the rear flap at the fold, straighten it and fix it in the cardboard cut-out



If the flap is not required, tear off from the perforation.