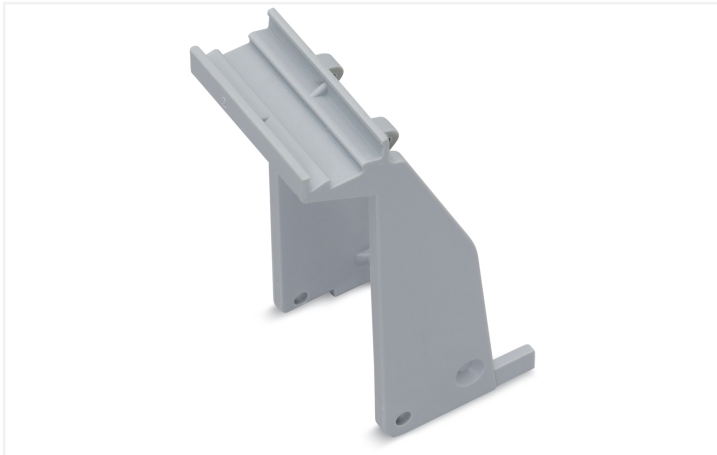


Data Sheet | Item Number: 858-110
Ejector; for basic relays 25 mm x 35 mm

<https://www.wago.com/858-110>



Material data

Note (material data)	Information on material specifications can be found here
Fire load	0.135 MJ
Weight	4.5 g

Environmental requirements

Ambient temperature (operation at U_N)	-40 ... +70 °C
Ambient temperature (storage)	-40 ... +80 °C

Commercial data

Product Group	6 (INTERFACE ELECTRONIC)
PU (SPU)	10 pcs
Packaging type	Bag
Country of origin	DE
GTIN	4055143718639
Customs tariff number	39269097900

Product Classification

UNSPSC	39122334
eCl@ss 10.0	27-37-16-92
eCl@ss 9.0	27-37-16-92
ETIM 9.0	EC002586
ETIM 8.0	EC002586
ECCN	NO US CLASSIFICATION

Environmental Product Compliance	
RoHS Compliance Status	Compliant, No Exemption

Downloads

Environmental Product Compliance	
Compliance Search	
Environmental Product Compliance 858-110	↓

Documentation

Bid Text			
858-110	19.02.2019	xml 2.55 KB	↓
858-110	29.11.2018	doc 22.50 KB	↓

CAD/CAE-Data

CAD data	
2D/3D Models 858-110	↓

CAE data	
EPLAN Data Portal 858-110	↓
WSCAD Universe 858-110	↓

Subject to changes. Please also observe the further product documentation!

Current addresses can be found at: www.wago.com