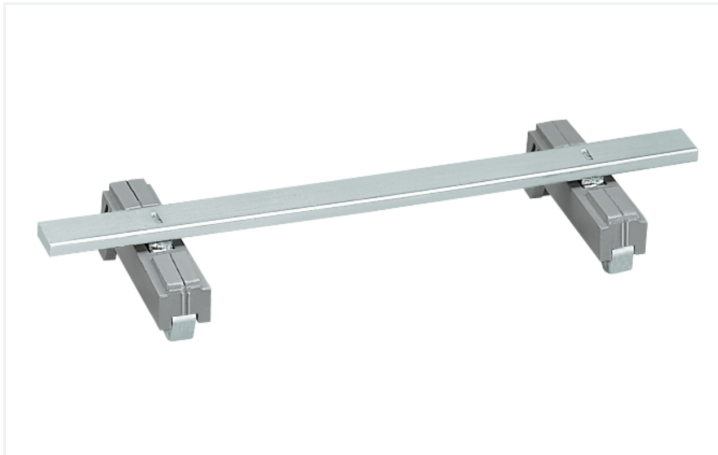


Data Sheet | Item Number: 790-115

Carrier with 2 grounding feet; parallel to carrier rail; 125 mm long; Cu 10 mm x 3 mm; gray

<https://www.wago.com/790-115>



Color: ■ gray

Material data

Color	gray
Fire load	0.152 MJ
Weight	60.4 g

Commercial data

Product Group	2 (Terminal Block Accessories)
PU (SPU)	25 pcs
Packaging type	Box
Country of origin	DE
GTIN	4045454230937
Customs tariff number	85369095000

Product Classification

UNSPSC	39121613
eCl@ss 10.0	27-14-11-92
eCl@ss 9.0	27-14-11-92
ETIM 9.0	EC002848
ETIM 10.0	EC002848
ECCN	NO US CLASSIFICATION

Environmental Product Compliance	
CAS-No.	7439-92-1
REACH Candidate List Substance	Lead
RoHS Compliance Status	Compliant, No Exemption
SCIP notification number (Austria)	a657edbc-0813-4a4d-9b49-28f0c6b4ba98
SCIP notification number (Belgium)	d72d4cc3-f103-424a-92ce-b19659ef0ec7
SCIP notification number (Bulgaria)	b5f38d0f-8bd3-494d-9cd2-7f30f1a9fa03
SCIP notification number (Czech Republic)	08f4e105-c01d-4647-a410-62088672f77e
SCIP notification number (Denmark)	071ddb39-a094-48e1-b42d-7dc1f5c5cf74
SCIP notification number (Finland)	a7348eb3-5853-4684-acf1-e752e3643764
SCIP notification number (France)	67e9a294-544f-4fd2-874f-6ef27078e11f
SCIP notification number (Germany)	e5dcaf21-73be-40a4-a4df-aae678a88001
SCIP notification number (Hungary)	91b7e670-bed3-44de-9541-6bbb399ee0b3
SCIP notification number (Italy)	d49f19db-5fe7-4abf-9499-0f3d08a62cfc
SCIP notification number (Netherlands)	04ea7bce-a75b-4f78-a1e0-fc2b31d58410
SCIP notification number (Poland)	dffe648-be4e-4271-8bb2-9c9cbb5ee50f
SCIP notification number (Romania)	b8c2f6ce-11f1-41be-828d-713fe8b68c7a
SCIP notification number (Sweden)	40adca64-c7af-40ef-a22e-9b652e95c66d

Downloads

Environmental Product Compliance

Compliance Search	
Environmental Product Compliance 790-115	↓

Documentation

Bid Text			
790-115	19.02.2019	xml 2.60 KB	↓
790-115	28.11.2018	doc 24.00 KB	↓

CAD/CAE-Data

CAD data	
2D/3D Models 790-115	↓

CAE data	
EPLAN Data Portal 790-115	↓
WSCAD Universe 790-115	↓
ZUKEN Portal 790-115	↓

1 Compatible Products

1.1 Optional Accessories

1.1.1 Shield termination

1.1.1.1 Shield clamping saddles



Item No.: 790-108

Shield clamping saddle; 11 mm wide; diameter of compatible conductor; 3 ... 8 mm

Item No.: 790-116

Shield clamping saddle; 19 mm wide; diameter of compatible conductor; 7 ... 16 mm

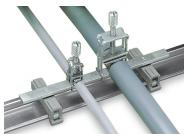
Item No.: 790-124

Shield clamping saddle; 27 mm wide; diameter of compatible conductor; 6 ... 24 mm

Item No.: 790-140

Shield clamping saddle; diameter of compatible conductor

Installation Notes



Carrier with grounding foot* (790-1145), 125 mm long, busbar parallel to the rail
*for all shield clamping saddle sizes