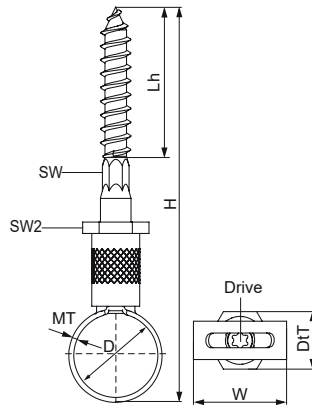


Walraven HBC Clamp

(L1525)



Features & benefits

- For steel pipes
- Easy and time-saving installation
- With Hanger Bolt M8x30, ø8x39, L=80 and drive WAF=6
- Made of three parts: hanger bolt, tightening nut and steel pipe clip.

Product Number	Outside Pipe Diameter	Key Driver Size	Drive Hexagon	Drive Hexagon 2	Length Wood Thread	Material Thickness	Total Height	Total Width	Total Depth	Maximum Allowed Load Faz
Reference Letter	D	Drive	SW	SW2	Lh	MT	H	W	DtT	F _{0,z}
Unit description	mm				mm	mm	mm	mm	mm	N
3849015	15	T25	6	15	39	1.15	96	17	15	1,000
3849022	22	T25	6	15	39	1.15	103	24	15	1,000
3849028	28	T25	6	15	39	1.15	109	30	15	1,000