

**Tissue holder without cover - Chrome**

**SERIES SPECIFIC**

83 500 780 Product version from 4/1/2025

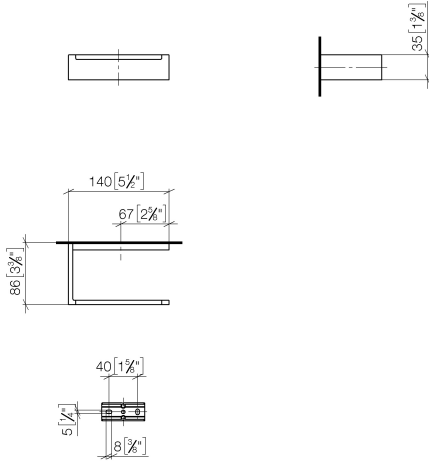
- width 140mm
- height 35 mm
- 85mm projection



	Chrome	83 500 780-00
	Brushed Platinum	83 500 780-06
	Platinum	83 500 780-08
	Dark Chrome	83 500 780-19
	Brushed Light Gold (PVD)	83 500 780-27
	Brushed Durabrass (23kt Gold)	83 500 780-28
	Brushed Gold (PVD)	83 500 780-37
	Brushed Dark Brass (PVD)	83 500 780-39
	Brushed Bronze (PVD)	83 500 780-42
	Brushed Dark Bronze (PVD)	83 500 780-43
	Brushed Champagne (22kt Gold)	83 500 780-46
	Champagne (22kt Gold)	83 500 780-47
	Brushed Dark Platinum	83 500 780-99

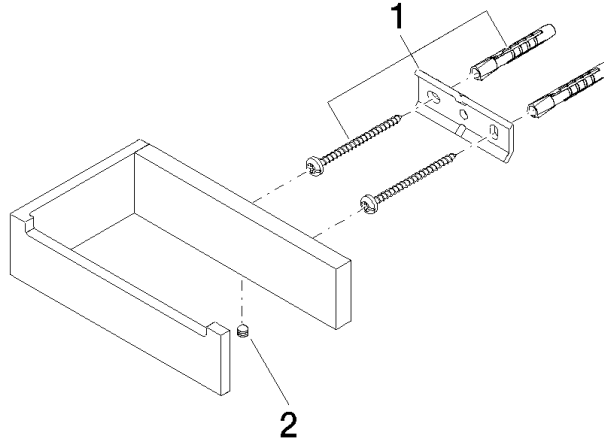
83 500 780 Product version from 4/1/2025

mm [inches]



83 500 780 Product version from 4/1/2025

Parts for other finishes can be found here: Brushed Platinum



### Spare parts list

No.	Item Number	Name	Quantity used	Delivery time
2	90 31 11 112 00 90	Mounting Threaded pin M5 x 6 mm -	1.00	14
1	05 17 20 718 00 90	Attachment set 30 x 70 x 5 mm -	1.00	14