

33 800 875 Product version from 6/1/2022



- 201mm projection
- pivotable spout 360°
- air-enriched flow
- height of mixer 373 mm
- height up to aerator 240 mm
- hole diameter 35 mm
- max. flow 8 l/min at 3 bar flow pressure
- lead-free
- This product can help a building meet the requirements of Green Building Rating Systems, e.g. LEED®, BREEAM®, DGNB
- WRAS

	Brushed Dark Brass (PVD)	33 800 875-39
	Chrome	33 800 875-00
	Brushed Platinum	33 800 875-06
	Platinum	33 800 875-08
	Dark Chrome	33 800 875-19
	Brushed Durabronze (23kt Gold)	33 800 875-28
	Matte Black	33 800 875-33
	Brushed Bronze (PVD)	33 800 875-42
	Brushed Dark Bronze (PVD)	33 800 875-43
	Brushed Champagne (22kt Gold)	33 800 875-46
	Champagne (22kt Gold)	33 800 875-47
	Brushed Chrome	33 800 875-93
	Brushed Dark Platinum	33 800 875-99

Recommended miscellaneous

Strainer waste with control handle - Brushed Dark Brass (PVD) 10 712 970-39

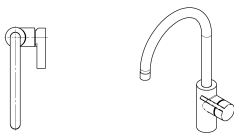
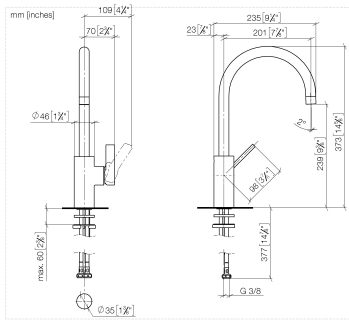


Recommended miscellaneous

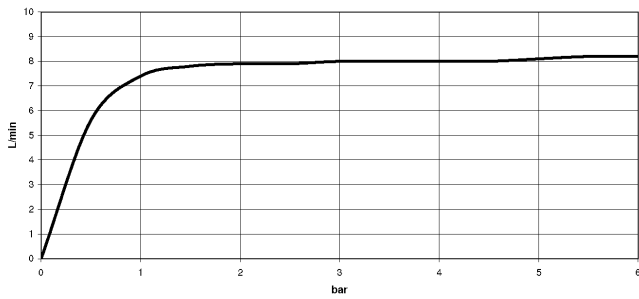
Dispenser without rosette - Brushed Dark Brass (PVD) 82 424 970-39



33 800 875 Product version from 6/1/2022



Flow rate chart



Codes & Standards

DIN 4109

EN 817

Executive Order
no. 1007

ISO 3822

Ü-Zeichen

VA-Zeichen



TARA ULTRA Single-lever mixer - Brushed Dark Brass (PVD)

TARA ULTRA

33 800 875 Product version from 6/1/2022

Certificates and sustainability

GDV_0400

LGA_18

ETA_18

EPD-DOR-20230287
-IBA1-EN
Environmental.prod
uct-declarat

33 800 875 Product version from 6/1/2022

Parts for other finishes can be found here: [Chrome](#)

