

# MADISON xTOOL Concealed thermostat without volume control 1/2" - Brushed Dark Platinum

MADISON

36 501 977 Product version up to 2/2/2021



- cover plate Ø 124 mm
- temperature control handle with safety limit stop at 38°C
- thermostat cartridge
- WRAS

|  |                               |               |
|--|-------------------------------|---------------|
|  | Brushed Dark Platinum         | 36 501 977-99 |
|  | Chrome                        | 36 501 977-00 |
|  | Brushed Platinum              | 36 501 977-06 |
|  | Platinum                      | 36 501 977-08 |
|  | Durabress (23kt Gold)         | 36 501 977-09 |
|  | Brushed Durabress (23kt Gold) | 36 501 977-28 |
|  | Brushed Dark Brass (PVD)      | 36 501 977-39 |
|  | Brushed Bronze (PVD)          | 36 501 977-42 |

## Required miscellaneous

|  |                                   |               |
|--|-----------------------------------|---------------|
|  | xGRID Installation track 555 mm - | 12 360 970 90 |
|--|-----------------------------------|---------------|

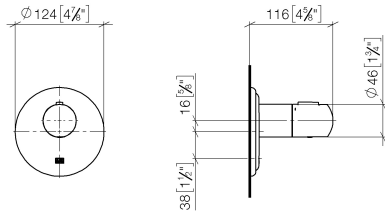
## Required miscellaneous

|  |  |               |
|--|--|---------------|
|  | xTOOL Concealed thermostat module without volume control - | 35 503 970 90 |
|  | •min. recess depth 85 mm                                   |               |
|  | •max. recess depth 110 mm                                  |               |

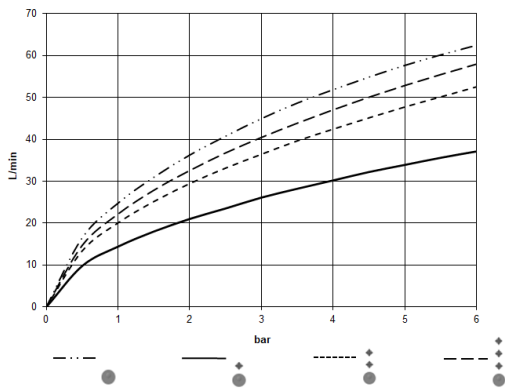
## Recommended miscellaneous

|  |   |               |
|--|---|---------------|
|  | xGRID Attachment set for integrating in the dry wall construction - | 12 340 970 90 |
|--|---|---------------|

36 501 977 Product version up to 2/2/2021  
mm [inches]



**Flow rate chart**



**Codes & Standards**

DIN 4109

EN 1111

ISO 3822

Scottish Water  
Byelaws

UK Water Supply  
Regulations

Ü-Zeichen



MADISON xTOOL Concealed thermostat without volume control 1/2" - Brushed  
Dark Platinum

MADISON

---

36 501 977 Product version up to 2/2/2021

Certificates and sustainability

---

WRAS\_2011

DVGW\_DW-  
6512DN0

LGA\_29

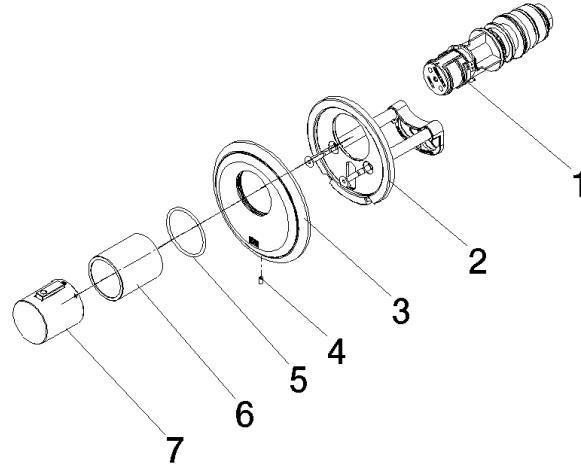
LGA\_29

LGA\_29

EPD-DOR-20230287

-IBA1-EN

Environmental.prod  
uct-declarat



## Spare parts list

| No. | Item Number        | Name  | Quantity used | Delivery time |
|-----|--------------------|---|---------------|---------------|
| 4   | 09 31 11 048 90    | Mounting Threaded pin with hexagon socket with point<br>M4 x 8 mm - | 1.00          | 14            |
| 3   | 09 11 02 543-99    | Cover for xTOOL Traditional - Brushed Dark Platinum                 | 1.00          | 40            |
| 2   | 90 11 01 196 00 90 | Retainer -  | 1.00          | 14            |
| 9   | 90 16 02 027 00 90 | Spring Ø 4,5 x 7,5 mm -   | 1.00          | 14            |
| 5   | 90 14 10 049 00 90 | O-Ring 45,69 x 2,62 mm -  | 1.00          | 14            |
| 7   | 90 17 33 005 01-99 | Handle complete for thermostat - Brushed Dark Platinum              | 1.00          | 40            |
| 8   | 90 21 33 011 00-13 | Repair kit for thermostat handle - black                            | 1.00          | 14            |
| 11  | 90 31 20 049 00-13 | Plug - black  | 1.00          | 40            |
| 1   | 90 15 02 065 00 90 | Thermostat cartridge with control unit Ø 44 x 147 mm -              | 1.00          | 14            |
| 10  | 90 30 30 136 00 90 | Bolt -  | 1.00          | 14            |
| 6   | 90 21 02 112 00-99 | Sleeve - Brushed Dark Platinum                                      | 1.00          | 40            |