

33 810 809 Product version from 7/1/2023

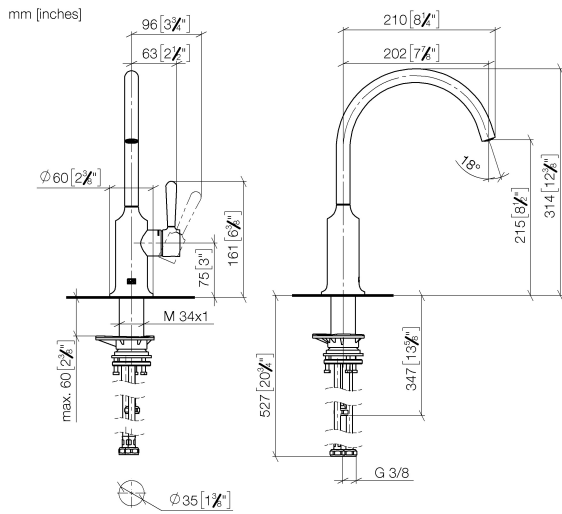


- 202mm projection
- pivotable spout 360°
- air-enriched flow
- max. flow 7 l/min at 3 bar flow pressure
- lead-free
- This product can help a building meet the requirements of Green Building Rating Systems, e.g. LEED®, BREEAM®, DGNB
- WRAS

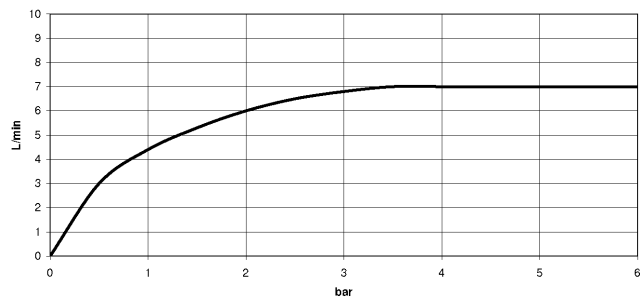
Single-lever mixer for combining with rinsing/Profi spray only

	Brushed Dark Bronze (PVD)	33 810 809-43
	Chrome	33 810 809-00
	Brushed Platinum	33 810 809-06
	Platinum	33 810 809-08
	Durabronze (23kt Gold)	33 810 809-09
	Dark Chrome	33 810 809-19
	Brushed Durabronze (23kt Gold)	33 810 809-28
	Matte Black	33 810 809-33
	Brushed Dark Brass (PVD)	33 810 809-39
	Brushed Bronze (PVD)	33 810 809-42
	Brushed Champagne (22kt Gold)	33 810 809-46
	Champagne (22kt Gold)	33 810 809-47
	Brushed Chrome	33 810 809-93
	Brushed Dark Platinum	33 810 809-99

33 810 809 Product version from 7/1/2023



**Flow rate chart**



**Codes & Standards**

DIN 4109

ISO 3822

Scottish Water  
Byelaws

UK Water Supply  
Regulations

**Ü-Zeichen**



## VAIA Single-lever mixer for rinsing/Profi spray - Brushed Dark Bronze (PVD)

VAIA

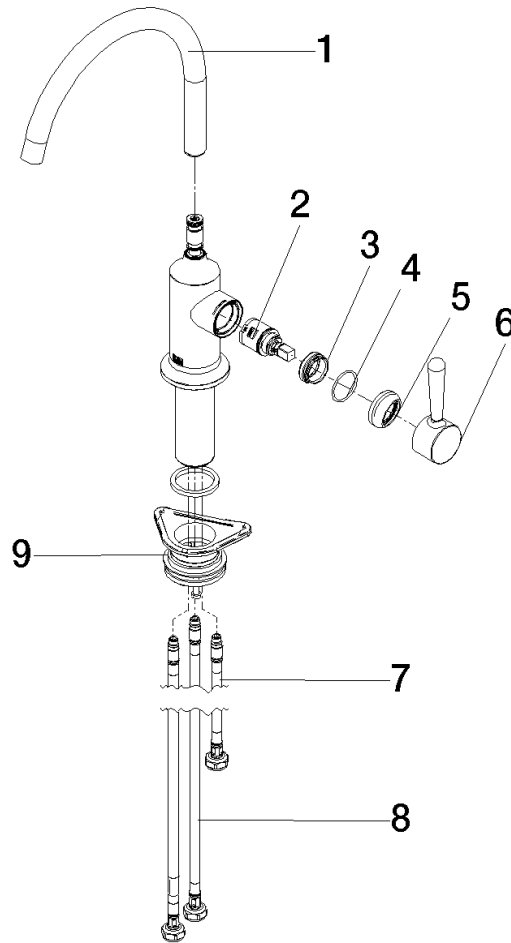
33 810 809 Product version from 7/1/2023

### Certificates and sustainability

LGA_38	WRAS_240602	EPD-DOR-20230287 -IBA1-EN Environmental.prod uct-declarat
--------	-------------	--

33 810 809 Product version from 7/1/2023

Parts for other finishes can be found here: [Chrome](#)



### Spare parts list

No.	Item Number	Name	Quantity used	Delivery time
5	90 28 30 052 00-43	cover	1.00	-
Spare part can no longer be ordered, please order the replacement item				
7	04 30 04 100 00 90	High pressure hose M8x1 x 3/8" x 420 mm -	1.00	14
9	04 23 10 044 08 90	Attachment set -	1.00	14
2	90 15 05 042 00 90	Cartridge Ø 25 x 52 mm -	1.00	14
4	09 14 10 091 90	O-Ring NBR 70 26,5 x 1,72 mm -	1.00	14
1	90 28 22 313 02-43	spout	1.00	-
Spare part can no longer be ordered, please order the replacement item				
3	09 24 04 266 90	Mounting Ø 28 x 10,8 mm -	1.00	14
6	90 20 80 050 00-43	handle	1.00	-
Spare part can no longer be ordered, please order the replacement item				
8	04 30 04 101 00 90	High pressure hose M8x1 x 3/8" x 600 mm -	2.00	14