

**META SQUARE Single-lever mixer for rinsing/Profi spray - Brushed Dark Bronze (PVD)**

META SQUARE

33 826 861 Product version from 2/1/2023



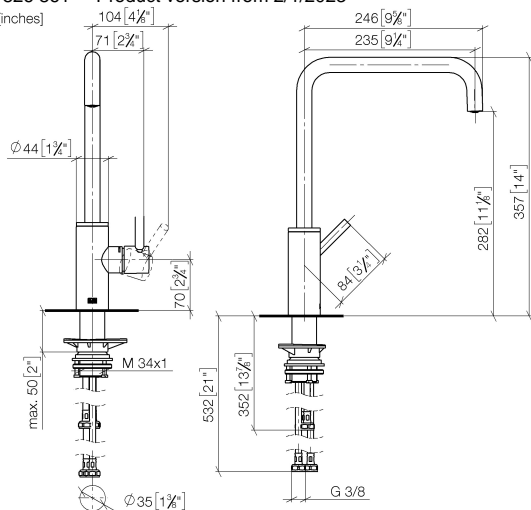
- 235mm projection
- pivotable spout 360°
- Optional swivel limiter available with swivel limiter set 12 820 970 90
- air-enriched flow
- max. flow 8 l/min at 3 bar flow pressure
- lead-free
- This product can help a building meet the requirements of Green Building Rating Systems, e.g. LEED®, BREEAM®, DGNB
- WRAS

Single-lever mixer for combining with rinsing/Profi spray only

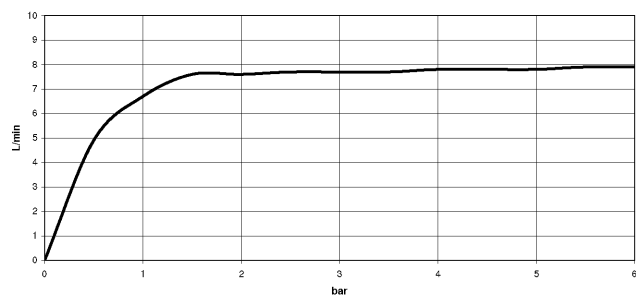
	Brushed Dark Bronze (PVD)	33 826 861-43
	Chrome	33 826 861-00
	Brushed Platinum	33 826 861-06
	Platinum	33 826 861-08
	Dark Chrome	33 826 861-19
	Brushed Durabronze (23kt Gold)	33 826 861-28
	Matte Black	33 826 861-33
	Brushed Dark Brass (PVD)	33 826 861-39
	Brushed Bronze (PVD)	33 826 861-42
	Brushed Champagne (22kt Gold)	33 826 861-46
	Champagne (22kt Gold)	33 826 861-47
	Brushed Chrome	33 826 861-93
	Brushed Dark Platinum	33 826 861-99

33 826 861 Product version from 2/1/2023

mm [inches]



**Flow rate chart**



**Codes & Standards**

DIN 4109

ISO 3822

Scottish Water  
Byelaws

UK Water Supply  
Regulations

**Ü-Zeichen**



**META SQUARE Single-lever mixer for rinsing/Profi spray - Brushed Dark  
Bronze (PVD)**

META SQUARE

---

33 826 861 Product version from 2/1/2023

Certificates and sustainability

---

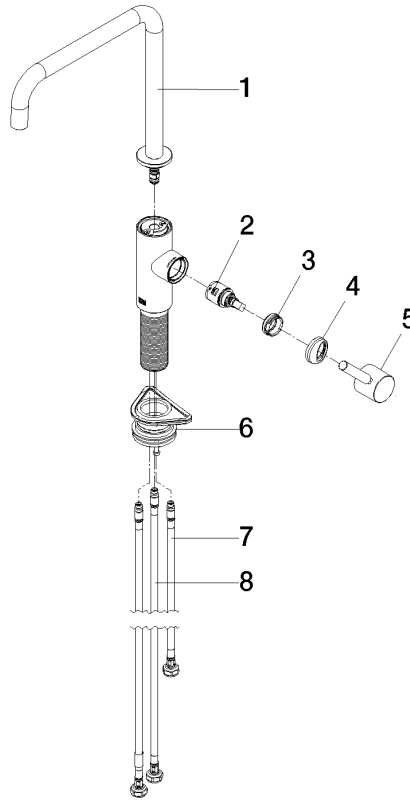
WRAS\_240102

LGA\_38

EPD-DOR-20230287  
-IBA1-EN  
Environmental.prod  
uct-declarat

33 826 861 Product version from 2/1/2023

Parts for other finishes can be found here: [Chrome](#)



**Spare parts list**

No.	Item Number	Name	Quantity used	Delivery time
3	09 24 04 266 90	Mounting Ø 28 x 10,8 mm -	1.00	14
1	90 28 22 284 00-43	spout	1.00	-
Spare part can no longer be ordered, please order the replacement item				
8	04 30 04 101 00 90	High pressure hose M8x1 x 3/8" x 600 mm -	2.00	14
7	04 30 04 100 00 90	High pressure hose M8x1 x 3/8" x 420 mm -	1.00	14
2	90 15 05 042 00 90	Cartridge Ø 25 x 52 mm -	1.00	14
6	04 23 10 044 08 90	Attachment set -	1.00	14
4	90 28 30 052 00-43	cover	1.00	-
Spare part can no longer be ordered, please order the replacement item				
5	90 20 66 033 00-43	handle	1.00	-
Spare part can no longer be ordered, please order the replacement item				