

17 861 888



- 146mm projection
- rigid, thermally insulated spout
- laminar flow
- height of mixer 288 mm
- height up to laminar flow regulator 180 mm
- hole diameter 35 mm
- provides filtered, hot water up to 93°C
- provides filtered, cold water
- max. flow 2 l/min at 3 bar flow pressure
- ready-to-use control unit for wall mounting (137mm x 159mm x 60mm)
- electronic magnetic valve
- 100-230 V, 50-60 Hz, 18 W power supply unit, incl. country-specific adapter set
- lead-free

• Spout ring cannot be removed.

• This product can help a building meet the requirements of Green Building Rating Systems, e.g. LEED®, BREEAM®, DGNB

**A minimum flow pressure of 3 bar is necessary for the HOT & COLD WATER DISPENSER to work perfectly in conjunction with a hot water tank and filter.**

**The installation must be above a kitchen sink.**

**The filter cartridge must be changed every six months. The installation instructions contain further information for guidance.**

**Detailed planning information and technical data can be found at**

**[www.dornbracht.com/professional](http://www.dornbracht.com/professional)**

**Not compatible with reverse osmosis filtration**

A minimum flow pressure of 3 bar is necessary for the HOT & COLD WATER DISPENSER to work perfectly in conjunction with a hot water tank and filter.

The installation must be above a kitchen sink.

The filter cartridge must be changed every six months. The installation instructions contain further information for guidance.

Detailed planning information and technical data can be found at [www.dornbracht.com/professional](http://www.dornbracht.com/professional)

Not compatible with reverse osmosis filtration

## Required miscellaneous

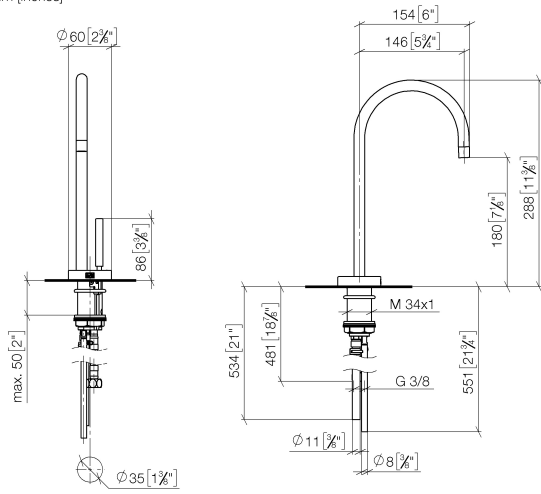


Hot water tank incl. filter -

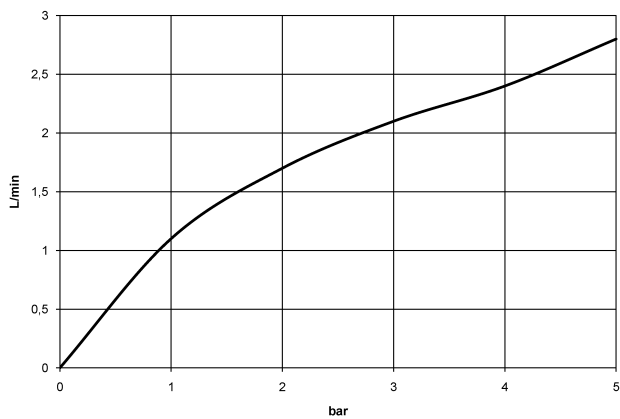
12 892 970 90

17 861 888

mm [inches]



**Flow rate chart**



**Codes & Standards**

ASME A112.18.1

cUPC

Executive Order  
no. 1007

NSF372

NSF61



# TARA HOT & COLD WATER DISPENSER - Dark Chrome

TARA

17 861 888

## Certificates and sustainability

IAPMO\_N-4

IAPMO\_4976

GDV\_0400

IAPMO\_6

EPD-DOR-20230287  
-IBA1-EN  
Environmental.prod  
uct-declarat

17 861 888

