

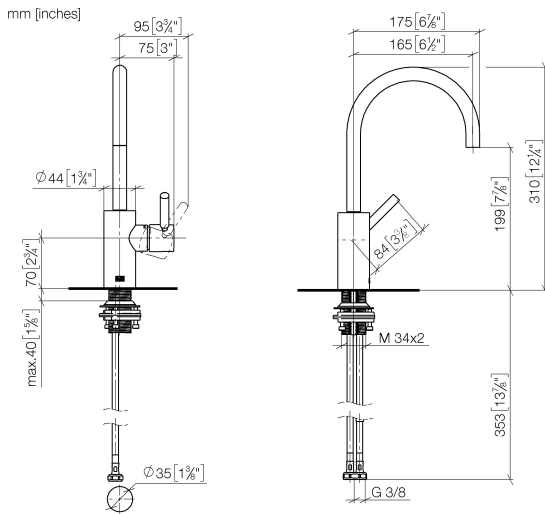
33 565 661 Product version from 7/1/2023 to 4/1/2025



- 180° spout
- 165mm projection
- pivotable spout 360°
- circular, air-enriched flow
- height of mixer 310 mm
- height up to aerator 199 mm
- hole diameter 35 mm
- 2x screw-in M 8 x 1 pressure hose, leak-tested
- max. flow 5.7 l/min
- lead-free
- This product can help a building meet the requirements of Green Building Rating Systems, e.g. LEED®, BREEAM®, DGNB

	Matte Black	33 565 661-33
	Chrome	33 565 661-00
	Brushed Platinum	33 565 661-06
	Dark Chrome	33 565 661-19
	Light Gold (PVD)	33 565 661-26
	Brushed Light Gold (PVD)	33 565 661-27
	Brushed Gold (PVD)	33 565 661-37
	Brushed Dark Brass (PVD)	33 565 661-39
	Brushed Bronze (PVD)	33 565 661-42
	Brushed Dark Bronze (PVD)	33 565 661-43
	Brushed Chrome	33 565 661-93
	Brushed Dark Platinum	33 565 661-99

33 565 661 Product version from 7/1/2023 to 4/1/2025



Flow rate chart



Codes & Standards

DIN 4109

EN 817

ISO 3822

Scottish Water
Byelaws

UK Water Supply
Regulations

Ü-Zeichen



META Single-lever basin mixer without pop-up waste - Matte Black

META

33 565 661 Product version from 7/1/2023 to 4/1/2025

Certificates and sustainability

DVGW_DW-
6506DNO

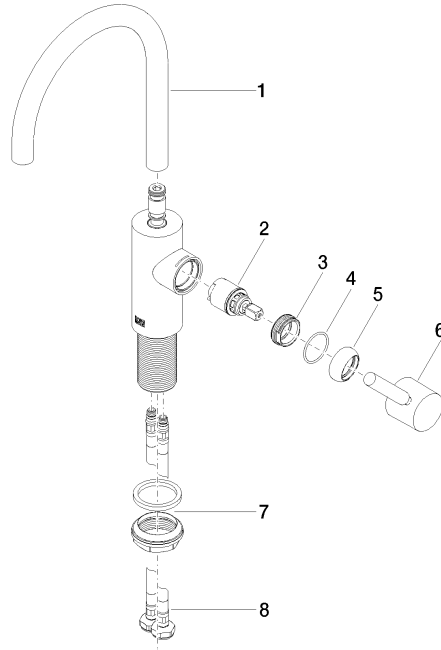
LGA_29

WRAS_250502

EPD-DOR-20230287
-IBA1-EN
Environmental.prod
uct-declarat

33 565 661 Product version from 7/1/2023 to 4/1/2025

Parts for other finishes can be found here: [Chrome](#)



Spare parts list

No.	Item Number	Name	Quantity used	Delivery time
6	90 20 66 003 00-33	Handle Lever for washstand deck mounting 52 x 35 x 117 mm - Matte Black	1.00	40
4	09 14 10 091 90	O-Ring NBR 70 26,5 x 1,72 mm -	1.00	14
7	04 23 10 044 07 90	Attachment set with seals M34 x 1 -	1.00	14
3	09 24 04 266 90	Mounting Ø 28 x 10,8 mm -	1.00	14
2	90 15 05 044 00 90	Cartridge Ø 25 x 51 mm -	1.00	14
8	04 30 04 100 00 90	High pressure hose M8x1 x 3/8" x 420 mm -	2.00	14
5	09 28 30 041-33	Cover Ø 50 x 76,8 mm - Matte Black	1.00	40
1	90 28 22 350 00-33	Spout for washstand deck mounting 165 mm, 5,68 l/min. - Matte Black	1.00	40