

27 806 625 Product version from 4/1/2024 to 6/3/2020



- COMPACT RAIN, max. flow rate 15 l/min (at 3 bar)
- with anti-scale system
- rosette Ø 55 mm
- metal shower hose 1250mm with integrated anti-twist protection
- shower holder rosette Ø 55mm

Notes:

Intrinsic protection against back flow.

Recommended miscellaneous



- Concealed wall elbow -**
- min. recess depth 90 mm
 - max. recess depth 163 mm

35 085 970 90

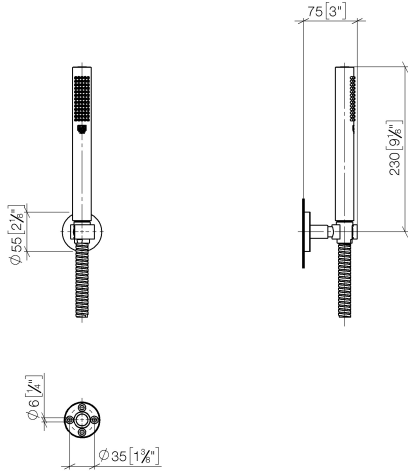
Recommended miscellaneous



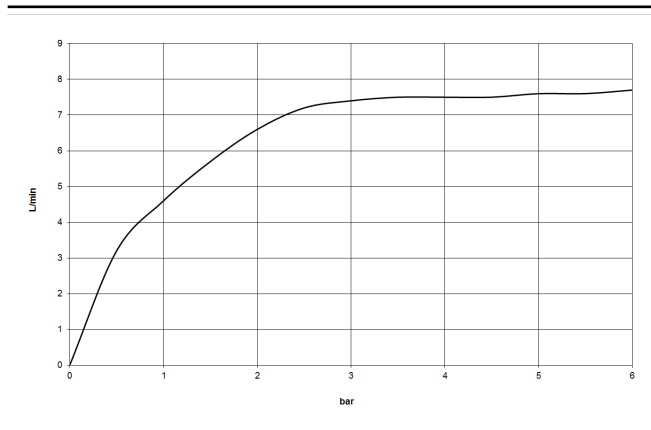
Wall elbow - Brushed Platinum 28 450 625-06

27 806 625 Product version from 4/1/2024 to 6/3/2020

mm [inches]



Flow rate chart



Codes & Standards

DIN 4109

ISO 3822

Scottish Water
Byelaws

UK Water Supply
Regulations

Ü-Zeichen



Hand shower set - Brushed Platinum

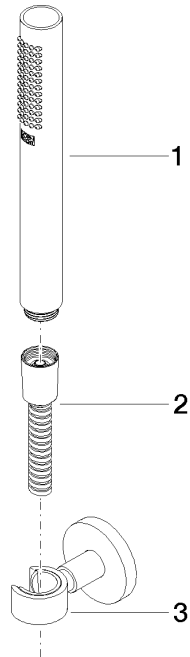
SERIES SPECIFIC

27 806 625 Product version from 4/1/2024 to 6/3/2020

Certificates and sustainability

LGA_29

WRAS_2209



Spare parts list

No.	Item Number	Name	Quantity used	Delivery time
3	28 050 625-06	Wall bracket - Brushed Platinum	1.00	20
2	90 30 02 072 00-06	Metal shower hose 1/2" x 3/8" x 1250 mm - Brushed Stainless Steel / Platinum Matt	1.00	20
1	90 12 11 140 40-06	Bar-type hand shower 15 l/min. - Brushed Platinum	1.00	-

Spare part can no longer be ordered, please order the replacement item