

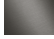


33 836 875 Product version from 4/1/2024



- 241mm projection
- pivotable spout 360°
- air-enriched flow
- height of mixer 393 mm
- height up to aerator 240 mm
- single-lever mixer hole diameter 35mm
- max. flow 8 l/min at 3 bar flow pressure
- lead-free
- This product can help a building meet the requirements of Green Building Rating Systems, e.g. LEED®, BREEAM®, DGNB

Single-lever mixer for combining with rinsing/Profi spray only

	Brushed Dark Bronze (PVD)	33 836 875-43
	Chrome	33 836 875-00
	Brushed Platinum	33 836 875-06
	Platinum	33 836 875-08
	Dark Chrome	33 836 875-19
	Brushed Durabronze (23kt Gold)	33 836 875-28
	Matte Black	33 836 875-33
	Brushed Dark Brass (PVD)	33 836 875-39
	Brushed Bronze (PVD)	33 836 875-42
	Brushed Champagne (22kt Gold)	33 836 875-46
	Champagne (22kt Gold)	33 836 875-47
	Brushed Chrome	33 836 875-93
	Brushed Dark Platinum	33 836 875-99

**Recommended miscellaneous**

**Dispenser with rosette - Matte Black** 82 444 970-33

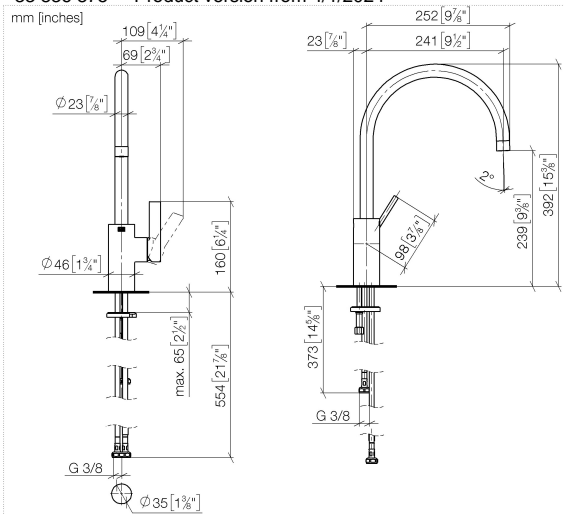


**Recommended miscellaneous**

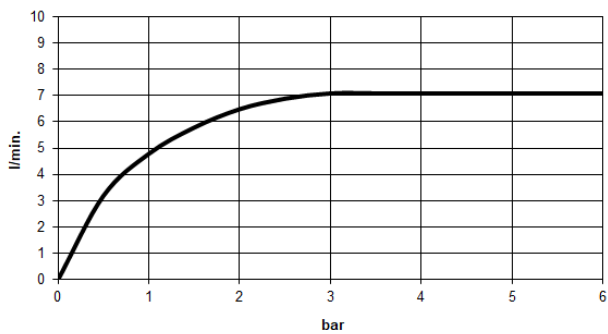
**Strainer waste with control handle - Brushed Dark Bronze (PVD)** 10 710 970-43



33 836 875 Product version from 4/1/2024



**Flow rate chart**



**Codes & Standards**

DIN 4109

ISO 3822

Ü-Zeichen



TARA ULTRA Single-lever mixer for rinsing/Profi spray - Brushed Dark Bronze (PVD)

TARA ULTRA

33 836 875 Product version from 4/1/2024

Certificates and sustainability

LGA\_38

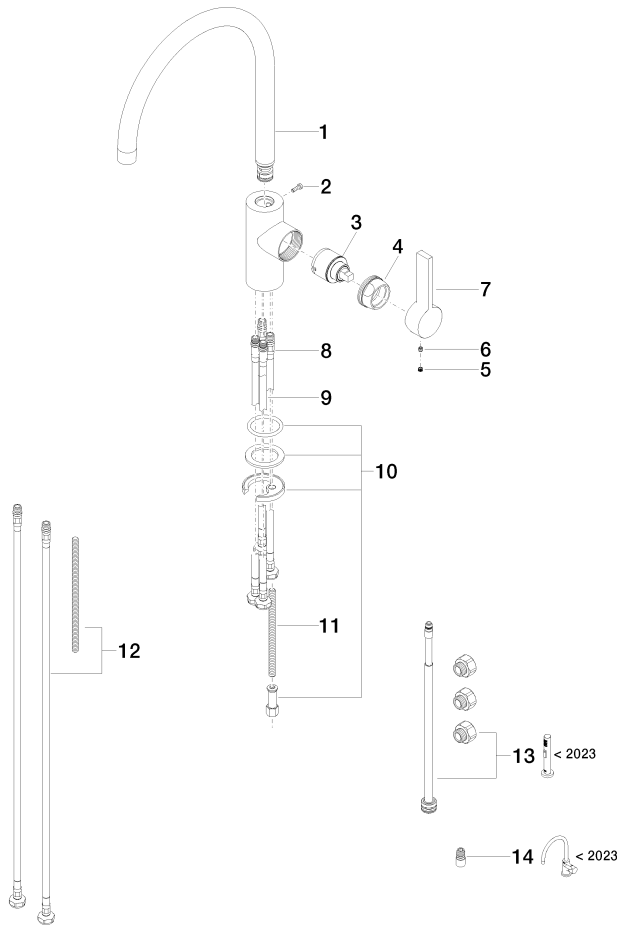
LGA\_38

LGA\_38

EPD-DOR-20230287  
-IBA1-EN  
Environmental.prod  
uct-declarat

33 836 875 Product version from 4/1/2024

Parts for other finishes can be found here: [Chrome](#)



**Spare parts list**

No.	Item Number	Name	Quantity used	Delivery time
7	09 20 79 040-43	Handle Lever 120 x 43 x 23 mm - Brushed Dark Bronze (PVD)	1.00	82
13	90 17 09 046 13 90	Conversion kit for diverter Rinsing spray 1/2" -	1.00	14
3	90 15 05 045 00 90	Cartridge black Ø 35 x 52 mm -	1.00	14
11	09 31 11 091 90	Mounting Threaded bolt M8 x 130 mm -	1.00	14
1	90 28 22 202 02-43	spout	1.00	-
Spare part can no longer be ordered, please order the replacement item				
9	04 30 04 104 00 90	High pressure hose M10x1 x 3/8" x 420 mm -	2.00	14
14	90 24 03 537 01 90	Adapter M10 -	1.00	14
8	04 30 04 105 00 90	High pressure hose M10x1 x 3/8" x 600 mm -	1.00	14
2	09 30 30 080 90	Mounting Cylinder head screw with hexagon socket Low profile M4 x 12 mm -	1.00	14
5	90 31 20 109 00 90	Plug -	1.00	14
10	04 30 11 038 75 90	Mounting with O-ring Ø36 x 4mm Ø 52 x 1,5 mm -	1.00	14
12	12 803 970 90	Extension set -	1.00	-
Spare part can no longer be ordered, please order the replacement item				
4	09 24 04 107-43	Connection Ø 40 x 20 mm - Brushed Dark Bronze (PVD)	1.00	82
6	90 31 11 030 00 90	Mounting Threaded pin with hexagon socket with cup point M5 x 5 mm -	1.00	14