

33 836 888 Product version from 4/1/2024

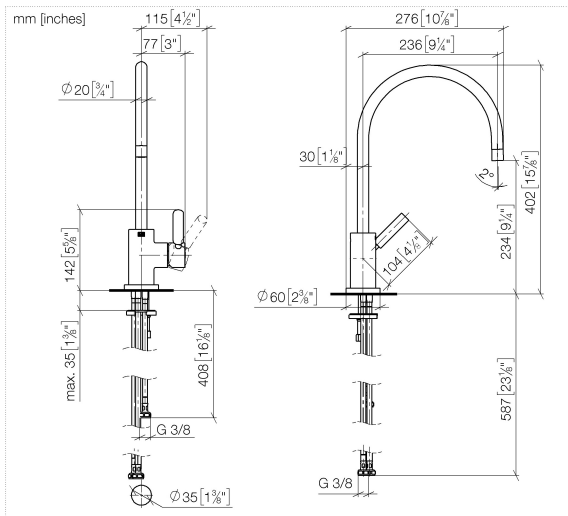


- 235mm projection
- pivotable spout 360°
- air-enriched flow
- height of mixer 400 mm
- height up to aerator 230 mm
- single-lever mixer hole diameter 35mm
- max. flow 7 l/min at 3 bar flow pressure
- lead-free
- This product can help a building meet the requirements of Green Building Rating Systems, e.g. LEED®, BREEAM®, DGNB

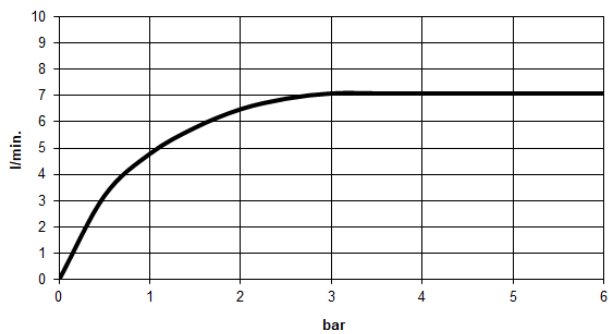
Single-lever mixer for combining with rinsing/Profi spray only

	Brushed Dark Bronze (PVD)	33 836 888-43
	Chrome	33 836 888-00
	Brushed Platinum	33 836 888-06
	Platinum	33 836 888-08
	Durabronze (23kt Gold)	33 836 888-09
	Dark Chrome	33 836 888-19
	Brushed Durabronze (23kt Gold)	33 836 888-28
	Matte Black	33 836 888-33
	Brushed Dark Brass (PVD)	33 836 888-39
	Brushed Bronze (PVD)	33 836 888-42
	Brushed Champagne (22kt Gold)	33 836 888-46
	Champagne (22kt Gold)	33 836 888-47
	Brushed Chrome	33 836 888-93
	Brushed Dark Platinum	33 836 888-99

33 836 888 Product version from 4/1/2024



Flow rate chart



Codes & Standards

DIN 4109

ISO 3822

Ü-Zeichen



TARA Single-lever mixer for rinsing/Profi spray - Brushed Dark Bronze (PVD)

TARA

33 836 888 Product version from 4/1/2024

Certificates and sustainability

LGA_38

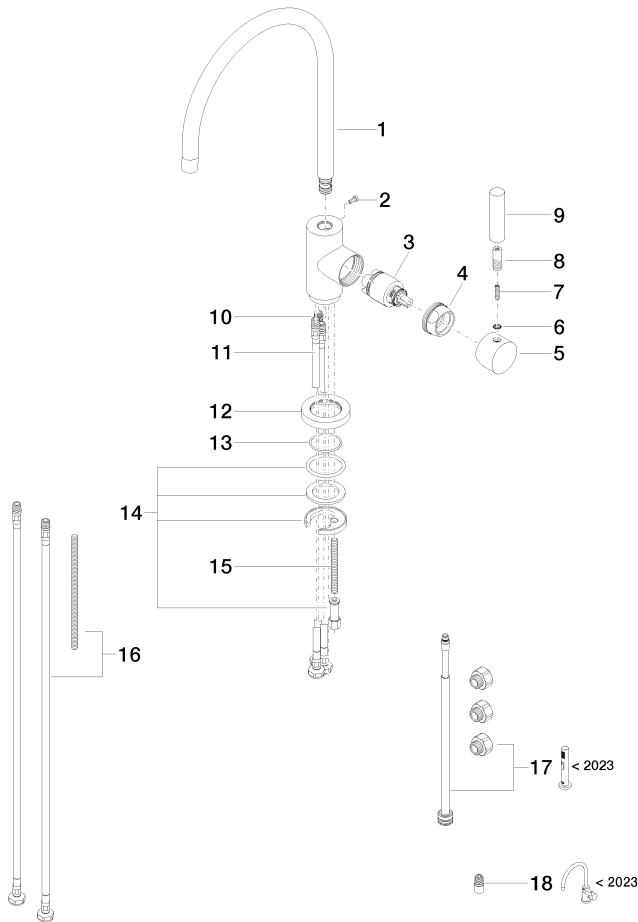
LGA_38

LGA_38

EPD-DOR-20230287
-IBA1-EN
Environmental.prod
uct-declarat

33 836 888 Product version from 4/1/2024

Parts for other finishes can be found here: [Chrome](#)



Spare parts list

No.	Item Number	Name	Quantity used	Delivery time
3	90 15 05 065 00 90	Cartridge -	1.00	14
15	09 31 11 011 90	Mounting Threaded bolt M8 x 80 mm -	1.00	14
9	11 170 880-43	Lever - Brushed Bronze (PVD)	1.00	-
Spare part can no longer be ordered, please order the replacement item				
18	90 24 03 537 01 90	Adapter M10 -	1.00	14
17	90 17 09 046 13 90	Conversion kit for diverter Rinsing spray 1/2" -	1.00	14
8	90 24 04 048 00-43	Sleeve Nipple - Brushed Dark Bronze (PVD)	1.00	40
4	09 24 04 107-43	Connection Ø 40 x 20 mm - Brushed Dark Bronze (PVD)	1.00	82
1	90 28 22 049 02-43	spout	1.00	-
Spare part can no longer be ordered, please order the replacement item				
5	90 20 88 040 00-43	Handle Lower part of lever 98 x 64 x 64 mm - Brushed Dark Bronze (PVD)	1.00	40
14	04 30 11 038 00 90	Mounting with O-ring Ø40 x 4mm Ø 52 x 1,5 mm -	1.00	14
7	09 31 11 010 90	Mounting Threaded pin with hexagon socket self-locking M5 x 20 mm -	1.00	14
13	09 14 10 034 90	O-Ring EPDM 70 38,0 x 2,0 mm -	1.00	14
6	90 30 11 032 00 90	Mounting Serrated lock washer Ø 5,3 -	1.00	14
16	12 803 970 90	Extension set -	1.00	-
Spare part can no longer be ordered, please order the replacement item				
12	09 28 10 055-43	Rosette Ø 60 x Ø 38,2 x 10 mm - Brushed Dark Bronze (PVD)	1.00	82
10	04 30 04 104 00 90	High pressure hose M10x1 x 3/8" x 420 mm -	1.00	14
2	09 30 30 054 90	Mounting Cylinder head screw with hexagon socket with low profile M4 x 10 mm -	1.00	14
11	04 30 04 105 00 90	High pressure hose M10x1 x 3/8" x 600 mm -	2.00	14