

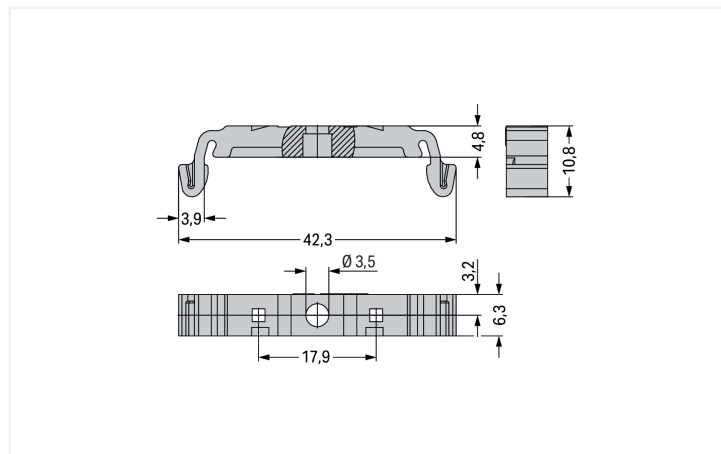
Data Sheet | Item Number: 209-189

Mounting foot; suitable for male connector with snap-in mounting feet; for series 2091 and 2092; gray

<https://www.wago.com/209-189>



Color: ■ gray



Dimensions in mm

Technical data

Mounting type DIN-35 rail

Mechanical data

Suitable for male connectors with snap-in mounting feet (2091 and 2092 Series)

Material data

Color gray
Material group I
Insulation material (main housing) Polyamide (PA66)
Flammability class per UL94 V0
Fire load 0.035 MJ
Weight 1.2 g

Commercial data

Product Group 2 (Terminal Block Accessories)
PU (SPU) 500 (25) pcs
Packaging type Box
Country of origin CH
GTIN 4050821279730
Customs tariff number 39269097900

Product Classification	
UNSPSC	39121702
eCl@ss 10.0	27-14-11-92
eCl@ss 9.0	27-14-11-92
ETIM 9.0	EC002848
ETIM 10.0	EC002848
ECCN	NO US CLASSIFICATION

Environmental Product Compliance	
RoHS Compliance Status	Compliant, No Exemption

Downloads

Environmental Product Compliance

Compliance Search	
Environmental Product Compliance 209-189	

Documentation

Additional Information			
Technical Section	03.04.2019	pdf 2027.26 KB	

CAD/CAE-Data

CAD data	
2D/3D Models 209-189	

CAE data	
ZUKEN Portal 209-189	