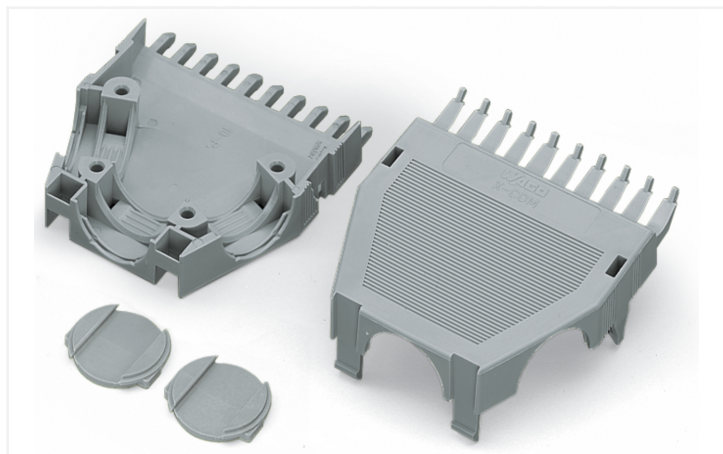


# Data Sheet | Item Number: 769-1613

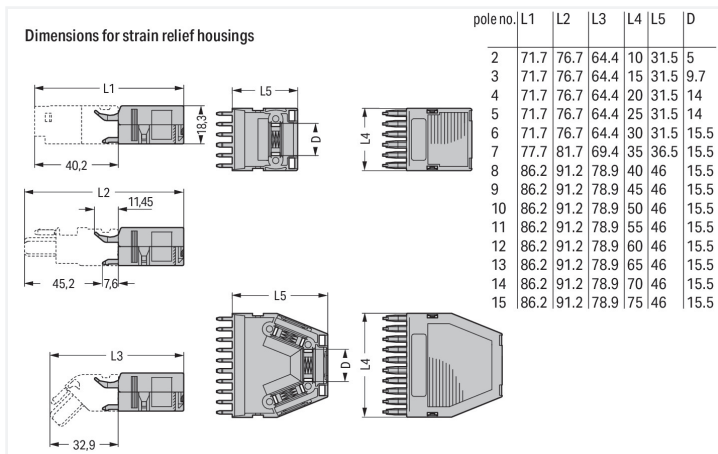
Strain relief housing; for female and male connectors; 2 parts; Pin spacing 5 mm; 13-pole; gray

<https://www.wago.com/769-1613>



Color: ■ gray

Similar to illustration



Dimensions in mm  
Dimensions in mm

## Connection Data

### Connection 1

Pole number 13

## Physical data

Width 65 mm / 2.559 inches  
Height 18.3 mm / 0.72 inches  
Depth 46 mm / 1.811 inches

## Material data

Note (material data) [Information on material specifications can be found here](#)  
Color gray  
Fire load 0.467 MJ  
Weight 15.5 g

## Commercial data

Product Group 18 (X-COM-System)  
PU (SPU) 25 pcs  
Packaging type Box  
Country of origin DE  
GTIN 4017332728195  
Customs tariff number 39269097900



**Product Classification**

|             |                      |
|-------------|----------------------|
| UNSPSC      | 39121421             |
| eCl@ss 10.0 | 27-14-11-92          |
| eCl@ss 9.0  | 27-14-11-92          |
| ETIM 9.0    | EC002848             |
| ETIM 10.0   | EC002848             |
| ECCN        | NO US CLASSIFICATION |

**Environmental Product Compliance**

|                        |                         |
|------------------------|-------------------------|
| RoHS Compliance Status | Compliant, No Exemption |
|------------------------|-------------------------|

**Downloads**

**Environmental Product Compliance**

Compliance Search

|   |                   |
|---|-------------------|
| Environmental Product Compliance 769-1613 | <a href="#">↓</a> |
|---|-------------------|

**Documentation**

Bid Text

|          |            |                 |                   |
|----------|------------|-----------------|-------------------|
| 769-1613 | 19.02.2019 | xml<br>2.64 KB  | <a href="#">↓</a> |
| 769-1613 | 23.05.2017 | doc<br>23.00 KB | <a href="#">↓</a> |

**CAD/CAE-Data**

CAD data

|                          |                   |
|--------------------------|-------------------|
| 2D/3D Models<br>769-1613 | <a href="#">↓</a> |
|--------------------------|-------------------|

CAE data

|                               |                   |
|-------------------------------|-------------------|
| EPLAN Data Portal<br>769-1613 | <a href="#">↓</a> |
| WSCAD Universe<br>769-1613    | <a href="#">↓</a> |
| ZUKEN Portal<br>769-1613      | <a href="#">↓</a> |

## 1 Compatible Products

### 1.1 Optional Accessories

#### 1.1.1 Installation

##### 1.1.1.1 Mounting accessories



**Item No.: 209-174**

Cable clamp; for strain relief; 7 or more poles

**Item No.: 209-173**

Fixing screw; for cable clamp; 7 or more poles

### 1.1.2 Marking

#### 1.1.2.1 Marker



**Item No.: 209-501/000-006**

WSB marking card; as card; not stretchable; plain; snap-on type; blue



**Item No.: 209-501/000-007**

WSB marking card; as card; not stretchable; plain; snap-on type; gray



**Item No.: 209-501/000-023**

WSB marking card; as card; not stretchable; plain; snap-on type; green



**Item No.: 209-501/000-017**

WSB marking card; as card; not stretchable; plain; snap-on type; light green



**Item No.: 209-501/000-012**

WSB marking card; as card; not stretchable; plain; snap-on type; orange



**Item No.: 209-501/000-005**

WSB marking card; as card; not stretchable; plain; snap-on type; red



**Item No.: 209-501/000-024**

WSB marking card; as card; not stretchable; plain; snap-on type; violet



**Item No.: 209-501**

WSB marking card; as card; not stretchable; plain; snap-on type; white

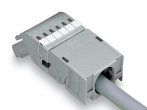
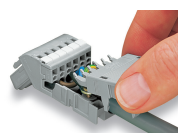
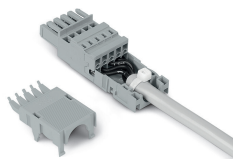


**Item No.: 209-501/000-002**

WSB marking card; as card; not stretchable; plain; snap-on type; yellow

## Installation Notes

### Installation

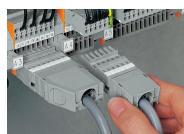


2- to 5-pole strain relief housings feature one cable outlet (rear side).  
6- to 7-pole strain relief housings feature one cable outlet (rear side).  
8- to 9-pole strain relief housings feature two cable outlets and one cover.  
10- to 16-pole strain relief housings feature three cable outlets and two covers.

Snapping on a strain relief housing.

Snap-on type strain relief housing, consists of strain relief support and housing, 6-pole and 1-conductor female plugs, angled, 6-pole

## Application



Application  
Snap-on type strain relief housings for 769 Series

Subject to changes. Please also observe the further product documentation!

---

Current addresses can be found at: [www.wago.com](http://www.wago.com)