

Contents

- 1. Purpose and Basic Description3**
- 2. Dismantling instructions3**
 - 2.1. Opening of Undervoltage Release S3C-UA.....3
 - 2.2. Disassembly of Undervoltage Release S3C-UA.....3
- 3. Constituent materials5**
- 4. Additional Information.....5**

1. Purpose and Basic Description

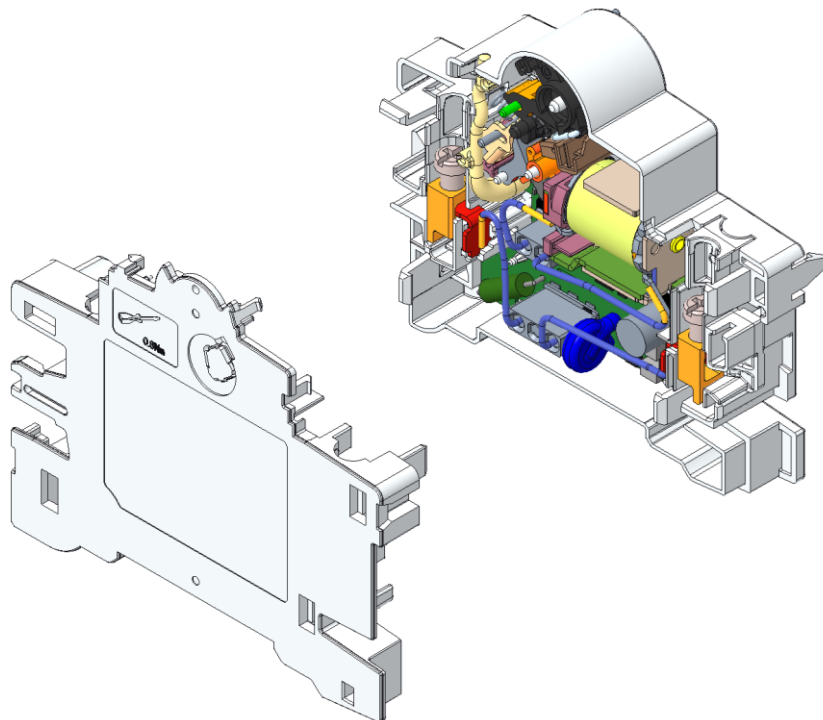
This product family is in the scope of European Union directive 2012/19/EU on Waste Electrical and Electronic Equipment (WEEE). The product family must be disposed according to the legislation of the country. This end-of-life instruction is intended for use by customers and recycling companies which outline the responsible recycling or disposal method of the ABB product.

The S3C-UA undervoltage release has the function to protect the load in case of a voltage drop included between 70% and 35% of its rated value. Positive safety (device tripping when the voltage is disconnected) emergency stop by means of a button.

2. Dismantling instructions

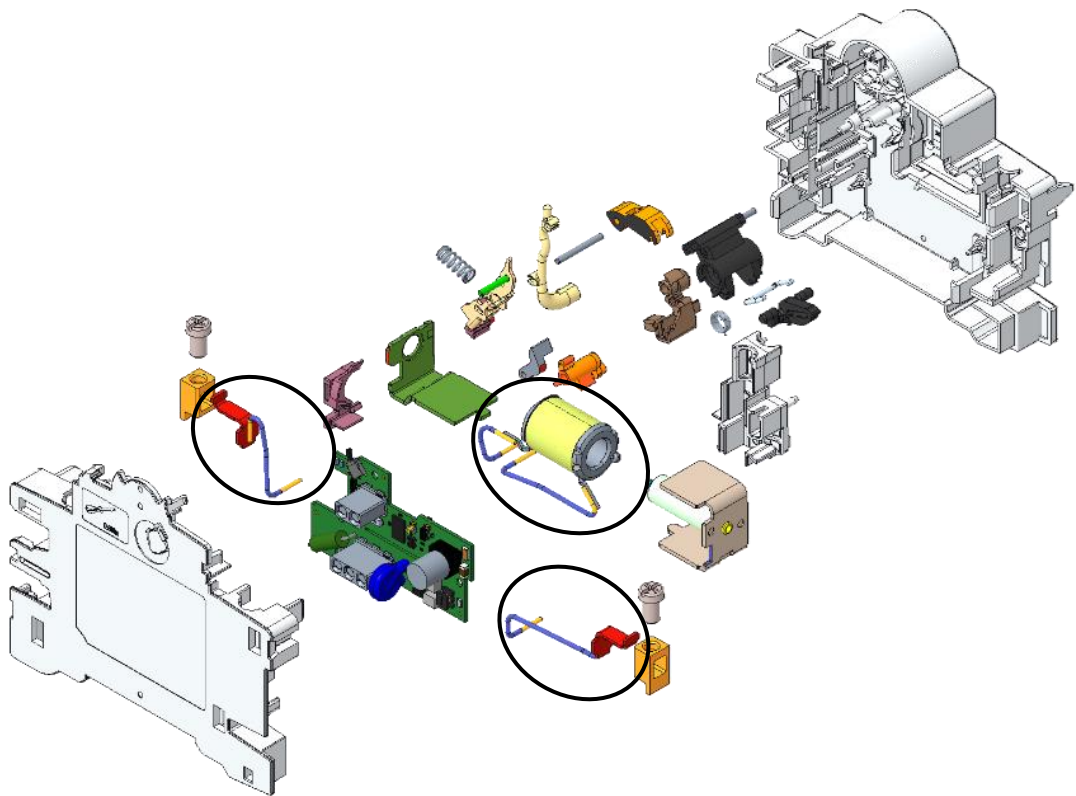
2.1. Opening of Undervoltage Release S3C-UA:

The housing of the S3C-UA is clipped. Open the pole with a suitable tool (e.g. screwdriver).



2.2. Disassembly of Undervoltage Release S3C-UA:

The different parts will be extracted until reaching the configuration of the figure below. Rounded parts have soldered or riveted pieces that cannot be easily disassembled.



3. Constituent materials

Plastics		Metals		Packaging	
PA	33.5%	Steel	14.6%	Cardboard	28.0%
Others	2.0%	Copper	7.2%	Others	6.6%
		Brass	2.5%		
				PCBA	5.6

Weight percentage of a single pole.

4. Additional Information

Weight per Pole	74.9 g
Overall dimensions (H x D x W)	85 x 74.1 x 17.4 mm