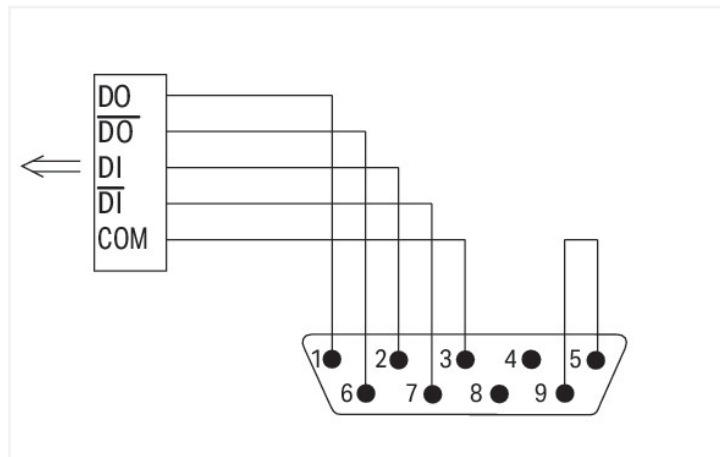


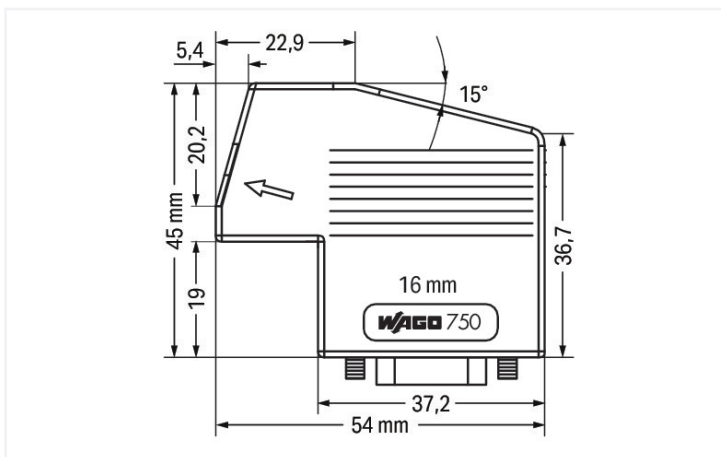
Data Sheet | Item Number: 750-962

INTERBUS fieldbus connector (OUT); with D-sub male connector; 9-pole

<https://www.wago.com/750-962>



Color: ■ light gray



Dimensions in mm

This fieldbus connector links an INTERBUS device to an INTERBUS line.

The fieldbus connector has the following features:

- Fast and maintenance-free CAGE CLAMP® connection – a locking slide keeps the clamping unit in its open position

Technical data

Connection type	D-sub 9 socket
Pole number	9
Communication/fieldbus	INTERBUS
Transmission rate	2 MBd (per INTERBUS specification)

Connection Data

Connection type	CAGE CLAMP® terminal strip with locking slide (218 Series)
Solid conductor	0.08 ... 0.5 mm ² / 28 ... 20 AWG
Strip length	5 ... 6 mm / 0.2 ... 0.24 inches

Physical data

Width	45 mm / 1.772 inches
Height	16 mm / 0.63 inches
Depth	54 mm / 2.126 inches

Mechanical data

Connectable sheathed cable diameter	4.5 ... 9.5 mm
Housing material	PA66-105-V2
Weight	33.1 g
Color	light gray

Environmental requirements

Ambient temperature (operation)	0 ... +60 °C
Ambient temperature (storage)	-25 ... +85 °C
Protection type	IP20
Relative humidity (without condensation)	95 %
Fire load	0.286 MJ

Commercial data

Product Group	15 (I/O System)
PU (SPU)	1 pcs
Packaging type	Bag
Country of origin	DE
GTIN	4017332810715
Customs tariff number	85366990990

Product Classification

UNSPSC	39121421
eCl@ss 10.0	27-24-26-92
eCl@ss 9.0	27-24-26-92
ETIM 9.0	EC002584
ETIM 10.0	EC002584
ECCN	NO US CLASSIFICATION

Environmental Product Compliance

RoHS Compliance Status	Compliant, No Exemption
------------------------	-------------------------

Approvals / Certificates

General approvals



Approval	Standard	Certificate Name
UL Underwriters Laboratories Inc. (ORDINARY LOCATIONS)	UL 508	E175199

Declarations of conformity and manufacturer's declarations

Approval	Standard	Certificate Name
EU-Declaration of Conformity WAGO GmbH & Co. KG	-	-

Approvals for hazardous areas



Approval	Standard	Certificate Name
ATEX TUEV Nord Cert GmbH	EN 60079-0	TUEV14ATEX148929X (II 3 G Ex ec IIC T4 Gc)
CCCEX CQST/CNEx	CNCA-C23-01	2020312310000213 (Ex ec IIC T4 Gc)
IECEX TUEV Nord Cert GmbH	IEC 60079-0	IECEX TUN 14.0035 X (Ex ec IIC T4 Gc)
INMETRO TÜV Rheinland do Brasil Ltda.	IEC 60079-0	TÜV 12.1297 X
UKEx WAGO GmbH & Co. KG	EN 60079-0	UKCA_WA GO22UKEX003X_ec

Downloads

Environmental Product Compliance

Compliance Search
Environmental Product Compliance 750-962 ↓

Documentation

System Description		
Overview on WAGO-I/O-SYSTEM 750 approvals	pdf 770.48 KB	↓

Bid Text			
750-962	19.02.2019	xml 3.94 KB	↓
750-962	06.10.2017	doc 24.50 KB	↓

Instruction Leaflet		
CCC Ex (Additional information)	26.04.2023	pdf 159.76 KB ↓

CAD/CAE-Data

CAE data

EPLAN Data Portal
750-962



WSCAD Universe
750-962

