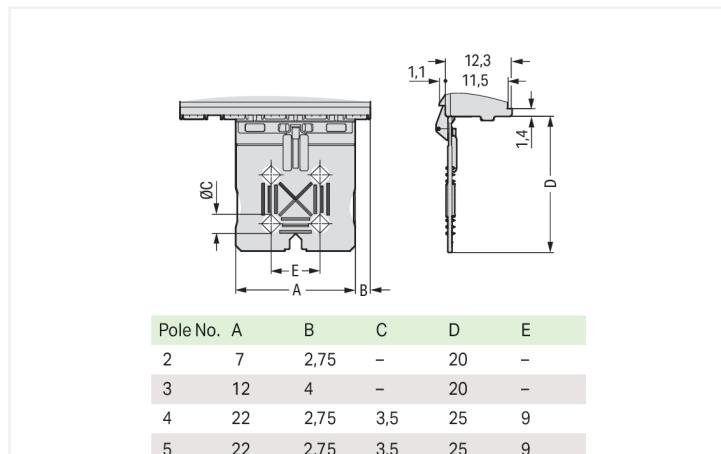


Data Sheet | Item Number: 2092-3601/002-000

Gripping plate with sliding connector release; for female and male connectors; 2 parts; Pin spacing 7.5 mm; 3-pole; light gray

<https://www.wago.com/2092-3601/002-000>



Color: ■ light gray

Similar to illustration

Dimensions in mm

Physical data

Pin spacing	7.5 mm / 0.295 inches
Width	12 mm

Mechanical data

Design	with sliding connector release
--------	--------------------------------

Material data

Note (material data)	Information on material specifications can be found here
Color	light gray
Material group	I
Insulation material (main housing)	Polyphthalamide (PPA GF)
Flammability class per UL94	V0
Fire load	0.009 MJ
Weight	0.3 g

Commercial data

PU (SPU)	100 (25) pcs
Packaging type	Box
Country of origin	DE
GTIN	4050821474203
Customs tariff number	85389099990

Product Classification

UNSPSC	39121409
eCl@ss 10.0	27-14-11-92
eCl@ss 9.0	27-14-11-92
ETIM 9.0	EC002848
ETIM 10.0	EC002848
ECCN	NO US CLASSIFICATION

Environmental Product Compliance

RoHS Compliance Status	Compliant, No Exemption
------------------------	-------------------------

Approvals / Certificates

General approvals



Approval	Standard	Certificate Name
CSA DEKRA Certification B.V.	C22.2 No. 158	2362521

Downloads

Environmental Product Compliance


Compliance Search

Environmental Product
Compliance
2092-3601/002-000



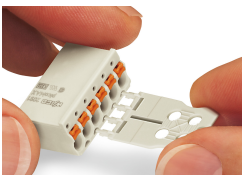
Documentation

Additional Information

Technical Section	03.04.2019	pdf 2027.26 KB	
-------------------	------------	-------------------	---

Installation Notes

Strain relief



Gripping plates are suitable for factory and field assembly.