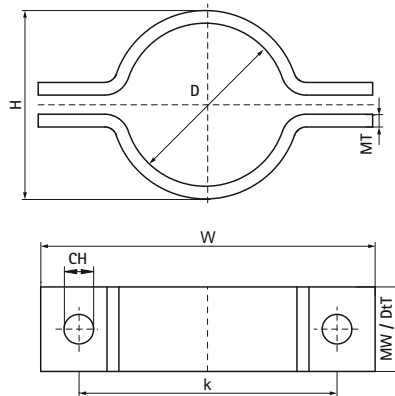


## Walraven Split Band Clip DIN 3567 (hdg) Type A

(B1513)

for industrial and heavy applications



### Features & benefits

- each clamp delivered as two clamp halves
- for common pipe diameters
- for heavy duty fixing of pipes and tubes to steel beams, profiles, brackets
- bolts, nuts and washers are not included
- material: steel 1.0038 (S235JR)
- hot dip galvanized

## EPD

Product Number	Outside Pipe Diameter	DN	Total Height	Total Width	Total Depth	Material Width	Material Thickness	Connection Hole	Heart To Heart Distance	Screw Size	Maximum Allowed Load Faz
Reference Letter	D	D	H	W	DtT	MW	MT	CH	k	ds	F <sub>a,z</sub>
Unit description	mm		mm	mm	mm	mm	mm	mm	mm		N
46110027	25 - 27	DN 20	37	96	30	30	5.00	11.5	66	M10	7,400
46110034	32 - 34	DN 25	44	102	30	30	5.00	11.5	72	M10	7,400
46110043	41 - 43	DN 32	53	112	30	30	5.00	11.5	82	M10	7,400
46110049	47 - 49	DN 40	59	118	30	30	5.00	11.5	88	M10	7,400
46110061	57 - 61	DN 50	73	144	40	40	6.00	14	108	M12	14,000
46110077	74 - 77	DN 65	89	158	40	40	6.00	14	122	M12	14,000
46110089	86 - 89	DN 80	101	172	40	40	6.00	14	136	M12	14,000
46110108	104 - 108	DN 100	124	220	50	50	8.00	18	172	M16	24,000
46110115	110 - 115	DN 100	131	226	50	50	8.00	18	178	M16	24,000
46110133	127 - 133	DN 125	149	244	50	50	8.00	18	196	M16	24,000
46110140	136 - 140	DN 125	156	252	50	50	8.00	18	204	M16	24,000
46110169	165 - 169	DN 150	185	280	50	50	8.00	18	232	M16	24,000
46110220	216 - 220	DN 200	236	332	50	50	8.00	18	284	M16	24,000
46110273	268 - 273	DN 250	289	408	60	60	8.00	23	348	M20	39,500
46110324	319 - 324	DN 300	340	458	60	60	8.00	23	398	M20	39,500
46110356	351 - 356	DN 350	372	492	60	60	8.00	23	432	M20	39,500
46110407	400 - 407	DN 400	427	570	70	70	10.00	27	498	M24	47,000
46110508	501 - 508	DN 500	528	672	70	70	10.00	27	600	M24	47,000
46110610	603 - 610	DN 600	630	790	70	70	10.00	30	718	M24	47,000
46110711	704 - 711	DN 700	735	906	80	80	12.00	30	826	M27	47,000
46110813	806 - 813	DN 800	837	1,010	80	80	12.00	30	930	M27	47,000
46110914	709 - 914	DN 900	938	1,110	80	80	12.00	30	1,030	M27	47,000
46111016	1,009 - 1,016	DN 1000	1,046	1,250	100	100	15.00	30	1,150	M27	47,000