

Data Sheet | Item Number: 713-128

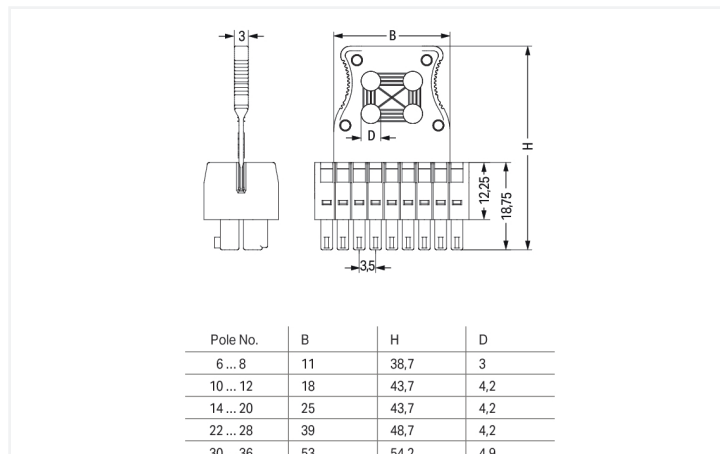
Strain relief plate; for female connectors; 39 mm wide; 1 part; Pin spacing 3.5 mm; black

<https://www.wago.com/713-128>



Color: ■ black

Similar to illustration



Dimensions in mm

The arrangement of the attachments for cable ties allows single conductors or multi-core cables to be secured in different ways. The width of the cable ties must correspond to the hole dimensions of the strain relief plates shown above. Cable ties and binding tools are not offered by WAGO.

Physical data

Pin spacing	3.5 mm / 0.138 inches
Width	39 mm / 1.535 inches
Height	3 mm / 0.118 inches
Depth	36 mm / 1.417 inches

Mechanical data

Suitable	for standard female connectors
----------	--------------------------------

Material data

Note (material data)	Information on material specifications can be found here
Color	black
Fire load	0.042 MJ
Weight	1.4 g

Commercial data

Product Group	3 (Multi Conn. System)
PU (SPU)	100 (25) pcs
Packaging type	Box
Country of origin	DE
GTIN	4045454732806
Customs tariff number	85389099990

Product Classification	
UNSPSC	39121702
eCl@ss 10.0	27-14-11-92
eCl@ss 9.0	27-44-04-92
ETIM 9.0	EC002848
ETIM 10.0	EC002848
ECCN	NO US CLASSIFICATION

Environmental Product Compliance	
REACH Candidate List Substance	Perfluorobutane sulfonic acid (PFBS) and its salts
RoHS Compliance Status	Compliant, No Exemption
SCIP notification number (Austria)	cf3134f4-0c4d-427b-91f7-75849ff6ceb9
SCIP notification number (Belgium)	49fcc021-507c-4960-8dd4-ce887ae0de
SCIP notification number (Bulgaria)	eb1946ad-64b4-4c26-8a9e-0e6a671e22b0
SCIP notification number (Czech Republic)	93a42174-2f52-49dc-a62f-f472b9201228
SCIP notification number (Denmark)	89b5aaf8-8a0f-448c-a236-e8f0a9e25d1f
SCIP notification number (Finland)	1ad28cde-0869-46c5-bcba-98b0bb131f59
SCIP notification number (France)	c7cc1732-c115-42f7-a7fd-84a9605a1af1
SCIP notification number (Germany)	97c612ea-a6f0-4a16-b496-370b2e408a7f
SCIP notification number (Hungary)	b4469316-ffd8-4177-8bd5-6fccd23a2767
SCIP notification number (Italy)	e1c96943-3194-46b1-b7f2-0c13d2382bf
SCIP notification number (Netherlands)	6f89b29e-ce42-466e-a7aa-8052d7f951e1
SCIP notification number (Poland)	aa742a60-8e0d-4442-8f4d-33258a12b0e6
SCIP notification number (Romania)	4a08994b-9eaf-4d6b-9182-26e5cbf29483
SCIP notification number (Sweden)	f1e9c60c-da30-470d-b11b-ee7690e9e8fb

Approvals / Certificates


Declarations of conformity and manufacturer's declarations



Approval	Standard	Certificate Name
Railway WAGO GmbH & Co. KG	-	Z00004422.000

Downloads

Environmental Product Compliance

Compliance Search
Environmental Product Compliance 713-128 

Documentation

Additional Information

Technical Section	03.04.2019	pdf 2027.26 KB	↓
-------------------	------------	-------------------	---

CAD/CAE-Data

CAD data

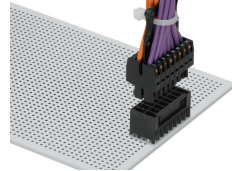
2D/3D Models 713-128	↓
----------------------	---

CAE data

ZUKEN Portal 713-128	↓
----------------------	---

Installation Notes

Strain relief



Strain relief plate for field assembly

Centered strain relief plate anchors conductors for easy disconnection.