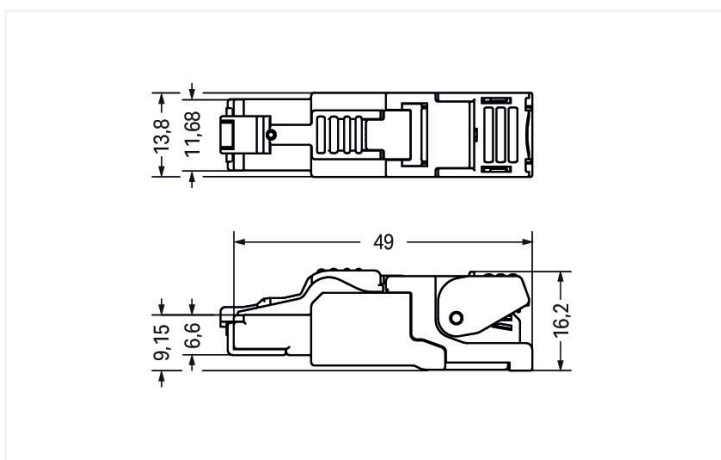
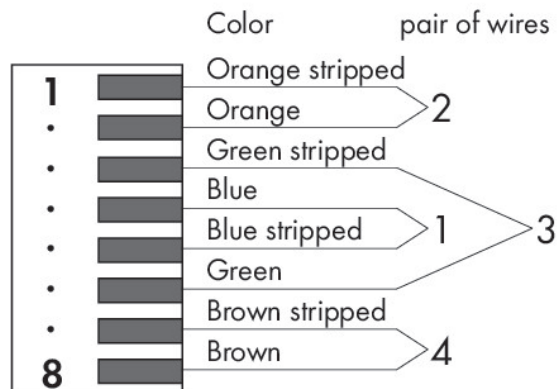




### Pin assignment TIA-568B



Dimensions in mm

### Technical data

Connection type	RJ-45 plug
Pole number	8
Cable connection direction to mating direction	0°
Communication/fieldbus	ETHERNET
Code	TIA-568B
Transmission rate	10000 Mbit/s

### Connection data

Connection type	IDC contact
Solid conductor	0.21 ... 0.32 mm <sup>2</sup> / 24/1 ... 22/1 AWG
Stranded conductor	0.11 ... 0.36 mm <sup>2</sup> / 27/7 ... 22/7 AWG

### Physical data

Width	13.8 mm
Height	16.2 mm
Depth	49 mm

### Mechanical data

Connection requirement (permissible cable type)	Cat. 6A
Connectable sheathed cable diameter	5.5 ... 9 mm
Housing material	Zinc die casting
Weight	18 g

### Environmental requirements

Ambient temperature (operation)	-40 ... +85 °C
Ambient temperature (storage)	-40 ... +85 °C
Protection type	IP20
Relative humidity (without condensation)	95 %
Fire load	0 MJ
Standards/specifications	IEC60603-7-51, ISO/IEC 11801, IEEE 802.3an EIA/TIA 568-C.2 DIN EN 50173-1 UL 1863 UL 2043

### Commercial data

PU (SPU)	1 pcs
Packaging type	Bag
Country of origin	TW
GTIN	4055143586191
Customs tariff number	85366990990

### Product Classification

UNSPSC	39121413
eCl@ss 10.0	27-24-26-92
eCl@ss 9.0	27-24-26-92
ETIM 9.0	EC001121
ETIM 10.0	EC002584
ECCN	NO US CLASSIFICATION

### Environmental Product Compliance

RoHS Compliance Status	Compliant, No Exemption
------------------------	-------------------------

Approvals / Certificates

General approvals



Approval	Standard	Certificate Name
UL Underwriters Laboratories Inc.	UL 1977	E345416

Downloads

Environmental Product Compliance

Compliance Search

Environmental Product Compliance 750-977/000-012	↓
--	---

Documentation

Bid Text

750-977/000-012	19.02.2019	xml 3.71 KB	↓
750-977/000-012	06.10.2017	doc 24.00 KB	↓
ausschreiben.de 750-977/000-012			↓