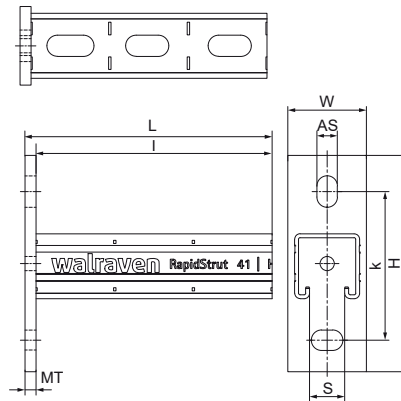
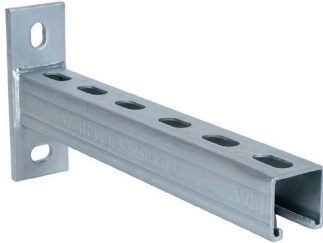


## Walraven RapidStrut® Cantilever Arm (BUP1000)

(H0806)

fixing to wall, floor or ceiling



### Features & benefits

- base plate with welded RapidStrut® Profile
- for quick and adjustable fixing of one or multiple pipes
- CO<sub>2</sub> welded
- with continuous perforation
- with sawing marks each 50 mm on all 3 sides of the profile
- well balanced relation between base plate and profile for optimal use of load performance
- material: profiles made of steel 1.0038 (S235JR)
- material: base plate type 21 H made of steel 1.0044 (S275JR)
- material: base plate type 41 M and H made of steel 1.0045 (S355JR)
- product is part of the Walraven Walraven UltraProtect® 1000 system
- suitable for in- and outdoor applications
- stands min. 1,000 hours salt spray test (max. 5% red rust) according to ISO 9227
- Walraven RapidStrut® type 41 H and above tested for fire safety according to EN 1366-1
- for more information about the max. allowed load (Faz) please refer to the loading tables or our online datasheet 'Walraven RapidStrut® Data Sheet'



Product Number	Type	Length	Total Height	Total Width	Total Length	Material Thickness	Anchoring Slot	Profile Opening	Heart To Heart Distance
Reference Letter		<i>l</i>	<i>H</i>	<i>W</i>	<i>L</i>	<i>MT</i>	<i>AS</i>	<i>S</i>	<i>k</i>
Unit description		mm	mm	mm	mm	mm	mm	mm	mm
66082120	21   H	205	110	50	205	5.00	18x11	22	70
66082130	21   H	300	110	50	305	5.00	18x11	22	70
66082145	21   H	450	110	50	455	5.00	18x11	22	70
66082160	21   H	600	110	50	605	5.00	18x11	22	70
66084030	41   M	300	137.5	50	307	7.00	20x13	22	95
66084045	41   M	450	137.5	50	457	7.00	20x13	22	95
66084060	41   M	600	137.5	50	607	7.00	20x13	22	95
66084115	41   H	150	137.5	50	157	7.00	20x13	22	95
66084120	41   H	200	137.5	50	207	7.00	20x13	22	95
66084130	41   H	300	137.5	50	307	7.00	20x13	22	95
66084140	41   H	400	137.5	50	407	7.00	20x13	22	95
66084145	41   H	450	137.5	50	457	7.00	20x13	22	95
66084150	41   H	500	137.5	50	507	7.00	20x13	22	95
66084160	41   H	600	137.5	50	607	7.00	20x13	22	95
66084175	41   H	750	137.5	50	757	7.00	20x13	22	95
66084198	41   H	1,000	137.5	50	1,007	7.00	20x13	22	95
66084199	41   H	1,200	137.5	50	1,207	7.00	20x13	22	95