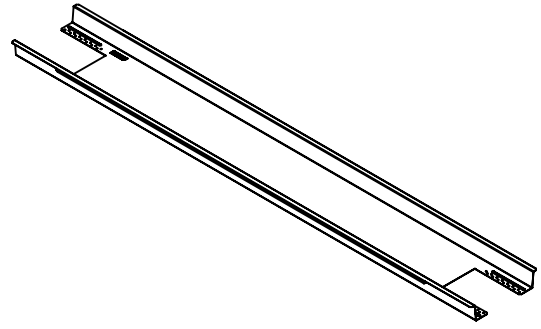
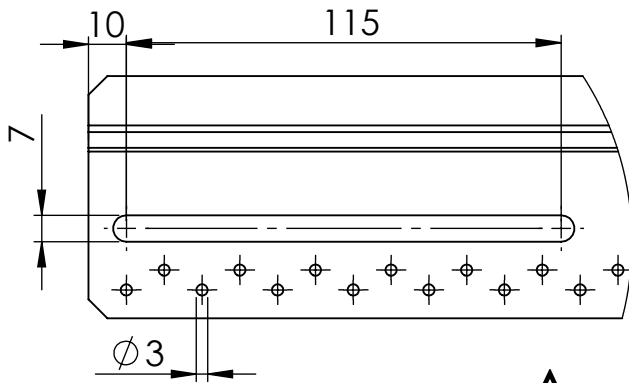
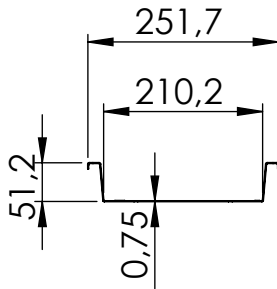
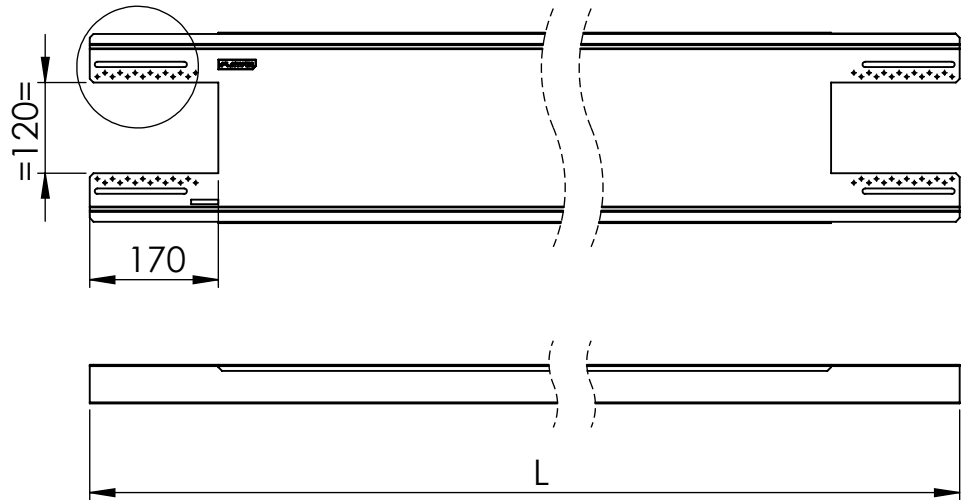


COMMERCIAL DRAWING

DETAIL A
SCALE 1 : 2



A



ARTICLE NO.	DESCRIPTION	LENGTH
100-7215	Ballast holder 1200	1340
100-7207	Ballast holder 1500	1645
100-7202	Ballast holder 1600	1720
100-7241	Ballast holder 1800	1860
100-7213	Ballast holder 1900	2000
100-7086	Ballast holder 2000	2110
100-7219	Ballast holder 2100	2220
100-7230	Ballast holder 1168	1168

ENSTALL™

PRODUCT:

Ballast Holder

ARTICLE NUMBER:

-

WEIGHT:

-

PROJECT

FR1401

MATERIAL: 1.0242 (S250GD) 0.75mm
Magnelis ZM310

RELEASE DATE:

14-04-2026

ENGINEERING ID:

201078

DISCLAIMER: NO RIGHTS CAN BE DERIVED FROM THE INFORMATION PROVIDED BY THIS DOCUMENT