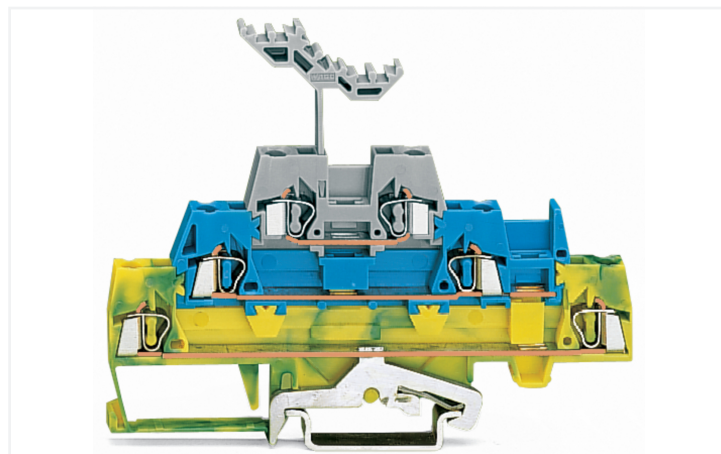
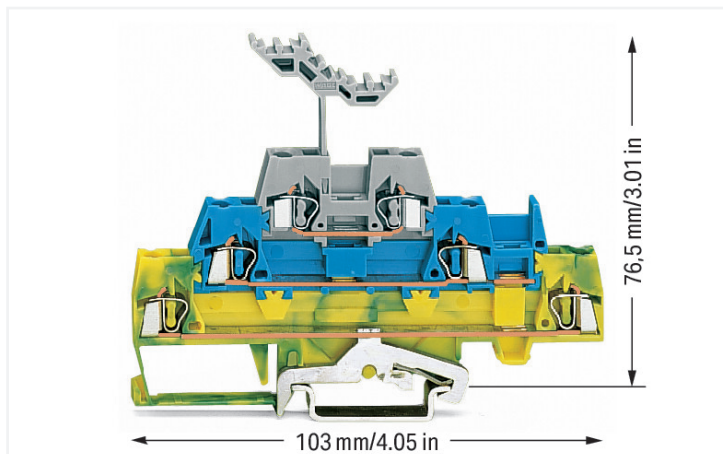


## Data Sheet | Item Number: 280-547

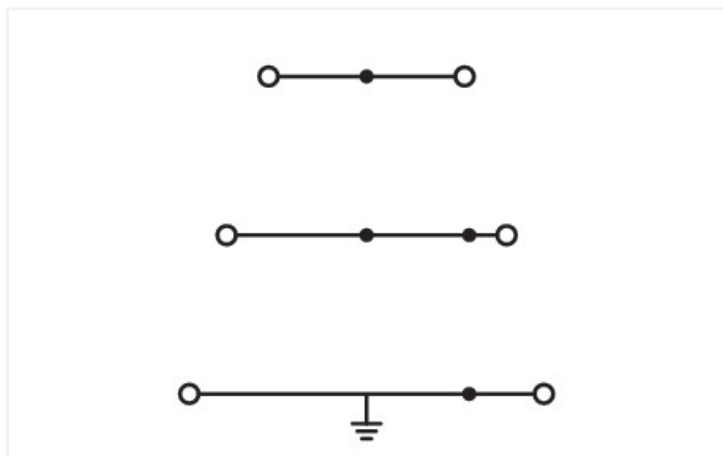
Triple-deck terminal block; Shield/through/through terminal block; 2.5 mm<sup>2</sup>; with marker carrier; for DIN-rail 35 x 15 and 35 x 7.5; CAGE CLAMP®; 2,50 mm<sup>2</sup>; green-yellow/blue/gray



<https://www.wago.com/280-547>



Color: ■ green-yellow/blue/gray



Similar to illustration

Triple-deck terminal block, 280 Series, green-yellow/blue/gray

Our triple-deck terminal block (item number 280-547) is designed for seamless electrical installations. Strip lengths must be between 8 and 9 mm when connecting conductors to this triple-deck terminal block. The triple-deck terminal block also functions as a through terminal block as well as a ground terminal block. Featuring conductor terminals along with CAGE CLAMP®, this product outperforms the competition. Our CAGE CLAMP® connection offers a safe and maintenance-free way to connect all types of conductors. You do not need to prepare the conductor in any way, such as crimping ferrules. This triple-deck terminal block is suitable for conductor cross sections ranging from 0.08 mm<sup>2</sup> to 2.5 mm<sup>2</sup>.

### Electrical data

| Ratings per                     | IEC/EN 60947-7-1 |     |    |
|---------------------------------|------------------|-----|----|
| Overvoltage category            | III              | III | II |
| Pollution degree                | 3                | 2   | 2  |
| Nominal voltage                 | 500 V            | -   | -  |
| Rated impulse withstand voltage | 6 kV             | -   | -  |
| Rated current                   | 20 A             | -   | -  |

| Power Loss   |           |
|--|-----------|
| Power loss, per pole (potential)                             | 1.064 W   |
| Rated current $I_N$ for power loss specification             | 20 A      |
| Resistance value for specified, current-dependent power loss | 0.00133 Ω |

### General information

|                  |                    |
|------------------|--------------------|
| Wiring direction | Front-entry wiring |
|------------------|--------------------|

### Connection Data

|                            |   |
|----------------------------|---|
| Clamping units             | 6 |
| Total number of potentials | 3 |
| Number of levels           | 3 |

#### Connection 1

|                                 |                    |
|---------------------------------|--------------------|
| Connection technology           | CAGE CLAMP®        |
| Actuation type                  | Operating tool     |
| Connectable conductor materials | Copper<br>Aluminum |

Connectable conductor materials (note) **Terminating Aluminum Conductors**  
WAGO Spring-Clamp Terminal Blocks are suitable for solid aluminum conductors up to 4 mm<sup>2</sup>/12 AWG if WAGO "Alu-Plus" Contact Paste [249-130](#) is used for termination.

"Alu-Plus" Contact Paste Advantages:

- Automatically destroys the oxide film during clamping.
- Prevents fresh oxidation at the clamping point.
- Prevents electrolytic corrosion between aluminum and copper conductors (in the same terminal block).
- Provides long-term protection against corrosion.

Using terminal blocks with CAGE CLAMP® Spring Pressure Connection Technology, **aluminum conductors must first be cleaned with a blade** and then immediately inserted into the clamping units filled with "Alu-Plus" contact paste.

It is also possible to apply WAGO "Alu-Plus" **additionally** on the whole surface of the aluminum conductor before termination.

Please note that the nominal currents must be adapted to the reduced conductivity of the aluminum conductors:  
2.5 mm<sup>2</sup> = 16 A  
4 mm<sup>2</sup> = 22 A

|                                |  |
|--------------------------------|--|
| Solid conductor                | 0.08 ... 2.5 mm <sup>2</sup> / 28 ... 12 AWG |
| Fine-stranded conductor        | 0.08 ... 2.5 mm <sup>2</sup> / 28 ... 12 AWG |
| Note (conductor cross-section) | 12 AWG: THHN, THWN                           |
| Strip length                   | 8 ... 9 mm / 0.31 ... 0.35 inches            |
| Wiring direction               | Front-entry wiring                           |

### Physical data

|                                   |                        |
|-----------------------------------|------------------------|
| Width                             | 5 mm / 0.197 inches    |
| Height                            | 103 mm / 4.055 inches  |
| Depth from upper-edge of DIN-rail | 76.5 mm / 3.012 inches |

### Mechanical data

|               |                 |
|---------------|-----------------|
| Design        | horizontal type |
| Mounting type | DIN-35 rail     |
| Marking level | Center marking  |

### Material data

|                                    |  |
|------------------------------------|--|
| Note (material data)               | <a href="#">Information on material specifications can be found here</a> |
| Color                              | green-yellow/blue/gray   |
| Material group                     | I  |
| Insulation material (main housing) | Polyamide (PA66)   |
| Flammability class per UL94        | V0   |
| Fire load                          | 0.279 MJ   |
| Weight                             | 21.9 g   |

### Environmental requirements

|                                  |                 |
|----------------------------------|-----------------|
| Processing temperature           | -35 ... +85 °C  |
| Continuous operating temperature | -60 ... +105 °C |

### Commercial data

|                       |                                  |
|-----------------------|----------------------------------|
| Product Group         | 1 (Rail Mounted Terminal Blocks) |
| PU (SPU)              | 40 pcs                           |
| Packaging type        | Box                              |
| Country of origin     | CN                               |
| GTIN                  | 4050821293712                    |
| Customs tariff number | 85369010000                      |

### Product Classification

|             |                      |
|-------------|----------------------|
| UNSPSC      | 39121410             |
| eCl@ss 10.0 | 27-14-11-41          |
| eCl@ss 9.0  | 27-14-11-41          |
| ETIM 9.0    | EC000901             |
| ETIM 10.0   | EC000901             |
| ECCN        | NO US CLASSIFICATION |

### Environmental Product Compliance

|   |                                      |
|---|--------------------------------------|
| CAS-No.                                   | 7439-92-1                            |
| REACH Candidate List Substance            | Lead                                 |
| RoHS Compliance Status                    | Compliant, No Exemption              |
| SCIP notification number (Austria)        | e407601c-dadd-42a4-86ef-dbe1865d7a29 |
| SCIP notification number (Belgium)        | a631be4b-c8fe-4271-86ff-dacb76e8c394 |
| SCIP notification number (Bulgaria)       | a2553e0b-20e7-42d1-8cd1-9f9011c6cc0d |
| SCIP notification number (Czech Republic) | e73785c8-fe6b-4d0a-9552-4fb7e993357a |
| SCIP notification number (Denmark)        | 5860c2f2-1710-4280-8ab6-938e82e9de04 |
| SCIP notification number (Finland)        | ae54751c-f490-4840-946f-2828ecc1c985 |
| SCIP notification number (France)         | c1d16e17-6f74-4cda-b7df-babff4d398bd |
| SCIP notification number (Germany)        | f4d1c319-ec5a-4e03-af77-e7f34f5c4418 |
| SCIP notification number (Hungary)        | 7277f91a-1e72-45c6-bde1-7e205c21d380 |
| SCIP notification number (Italy)          | e7b3ceb8-c490-4d58-803c-6d3e3da61b5b |
| SCIP notification number (Netherlands)    | 7e9d1298-20b4-44fe-af73-c677e69484bf |
| SCIP notification number (Poland)         | d59a4280-17f2-42fc-8706-20d5a4e3e184 |
| SCIP notification number (Romania)        | 3c7cf509-abfc-4c63-a84b-4de1e57033e7 |
| SCIP notification number (Sweden)         | 6f42386a-f684-4fa3-8e81-3a94cb1a15e1 |

### Approvals / Certificates

#### General approvals



| Approval                              | Standard | Certificate Name |
|---------------------------------------|----------|------------------|
| CSA<br>DEKRA Certification B.V.       | C22.2    | 1536071          |
| KEMA/KEUR<br>DEKRA Certification B.V. | EN 60947 | 71-154769        |
| UR<br>Underwriters Laboratories Inc.  | UL 1059  | E45172           |

#### Declarations of conformity and manufacturer's declarations

| Approval  | Standard | Certificate Name |
|---|----------|------------------|
| EU-Declaration of Confor-<br>mity<br>WAGO GmbH & Co. KG | -        | -                |
| UK-Declaration of Confor-<br>mity<br>WAGO GmbH & Co. KG | -        | -                |

#### Approvals for marine applications



| Approval  | Standard | Certificate Name |
|---|----------|------------------|
| ABS<br>American Bureau of Ship-<br>ping               | EN 60947 | 24-0152298-PDA   |
| BV<br>Bureau Veritas S.A.                             | EN 60947 | 07436/G0 BV      |
| DNV GL<br>Det Norske Veritas, Ger-<br>manischer Lloyd | -        | TAE00001V2       |

### Downloads

#### Environmental Product Compliance

##### Compliance Search

Environmental Product  
Compliance 280-547



### Documentation

#### Bid Text

|         |            |                 |  |
|---------|------------|-----------------|--|
| 280-547 | 19.02.2019 | xml<br>3.37 KB  |  |
| 280-547 | 02.03.2017 | doc<br>24.50 KB |  |

CAD/CAE-Data

|                      |                           |
|----------------------|---------------------------|
| <b>CAD data</b>      | <b>CAE data</b>           |
| 2D/3D Models 280-547 | EPLAN Data Portal 280-547 |
|                      | WSCAD Universe 280-547    |
|                      | ZUKEN Portal 280-547      |

1 Compatible Products

1.1 Required Accessories

1.1.1 End plate

1.1.1.1 End plate



**Item No.: 280-303**

End and intermediate plate; 2.5 mm thick; gray



**Item No.: 280-304**

End and intermediate plate; 2.5 mm thick; orange



**Item No.: 280-336**

Intermediate plate; 1.1 mm thick; orange

1.2 Optional Accessories

1.2.1 DIN-rail

1.2.1.1 Mounting accessories



**Item No.: 210-196**

Aluminum carrier rail; 35 x 8.2 mm; 1.6 mm thick; 2 m long; unslotted; similar to EN 60715; silver-colored



**Item No.: 210-198**

Copper carrier rail; 35 x 15 mm; 2.3 mm thick; 2 m long; unslotted; according to EN 60715; copper-colored



**Item No.: 210-508**

Steel carrier rail; 35 x 15 mm; 1.5 mm thick; 2 m long; slotted; galvanized; similar to EN 60715; silver-colored



**Item No.: 210-197**

Steel carrier rail; 35 x 15 mm; 1.5 mm thick; 2 m long; slotted; similar to EN 60715; silver-colored



**Item No.: 210-506**

Steel carrier rail; 35 x 15 mm; 1.5 mm thick; 2 m long; unslotted; galvanized; similar to EN 60715; silver-colored



**Item No.: 210-114**

Steel carrier rail; 35 x 15 mm; 1.5 mm thick; 2 m long; unslotted; similar to EN 60715; silver-colored



**Item No.: 210-118**

Steel carrier rail; 35 x 15 mm; 2.3 mm thick; 2 m long; unslotted; according to EN 60715; silver-colored



**Item No.: 210-115**

Steel carrier rail; 35 x 7.5 mm; 1 mm thick; 2 m long; slotted; according to EN 60715; "Hole width 18 mm; silver-colored



**Item No.: 210-112**

Steel carrier rail; 35 x 7.5 mm; 1 mm thick; 2 m long; slotted; according to EN 60715; "Hole width 25 mm; silver-colored



**Item No.: 210-504**

Steel carrier rail; 35 x 7.5 mm; 1 mm thick; 2 m long; slotted; galvanized; according to EN 60715; silver-colored



**Item No.: 210-113**

Steel carrier rail; 35 x 7.5 mm; 1 mm thick; 2 m long; unslotted; according to EN 60715; silver-colored



**Item No.: 210-505**

Steel carrier rail; 35 x 7.5 mm; 1 mm thick; 2 m long; unslotted; galvanized; according to EN 60715; silver-colored

## 1.2.2 Ferrule

### 1.2.2.1 Ferrule



**Item No.: 216-301**

Ferrule; Sleeve for 0.25 mm<sup>2</sup> / AWG 24; insulated; electro-tin plated; yellow



**Item No.: 216-302**

Ferrule; Sleeve for 0.34 mm<sup>2</sup> / 22 AWG; insulated; electro-tin plated; light turquoise



**Item No.: 216-201**

Ferrule; Sleeve for 0.5 mm<sup>2</sup> / 20 AWG; insulated; electro-tin plated; electrolytic copper; acc. to DIN 46228, Part 4/09.90; white



**Item No.: 216-101**

Ferrule; Sleeve for 0.5 mm<sup>2</sup> / AWG 22; un-insulated; electro-tin plated; silver-colored



**Item No.: 216-202**

Ferrule; Sleeve for 0.75 mm<sup>2</sup> / 18 AWG; insulated; electro-tin plated; gray



**Item No.: 216-102**

Ferrule; Sleeve for 0.75 mm<sup>2</sup> / AWG 20; un-insulated; electro-tin plated; silver-colored



**Item No.: 216-203**

Ferrule; Sleeve for 1 mm<sup>2</sup> / AWG 18; un-insulated; electro-tin plated; red



**Item No.: 216-103**

Ferrule; Sleeve for 1 mm<sup>2</sup> / AWG 18; un-insulated; electro-tin plated



**Item No.: 216-204**

Ferrule; Sleeve for 1.5 mm<sup>2</sup> / AWG 16; un-insulated; electro-tin plated; black



**Item No.: 216-104**

Ferrule; Sleeve for 1.5 mm<sup>2</sup> / AWG 16; un-insulated; electro-tin plated; silver-colored

## 1.2.3 Installation

### 1.2.3.1 Cover



**Item No.: 709-154**

Cover; Type 2; suitable for cover carrier, type 2; 1 m long; transparent

### 1.2.3.2 Cover carrier



**Item No.: 709-168**

Cover carrier; Type 2; incl. fixing/retaining screws and knurled nut; suitable for 283 to 285 Series rail-mounted terminal blocks; suitable for 279 to 281 Series double- and triple-deck terminal blocks; suitable for 780 to 785, 775, 776 and 777 Series TOP-JOB® rail-mounted terminal blocks; suitable for 280 Series sensor and actuator terminal blocks; suitable for 282 Series disconnect/test terminal blocks for transformer circuits; gray

### 1.2.3.3 Mounting accessories



**Item No.: 209-106**

Mounting carrier; for isolated mounting on DIN 35 rails; gray



**Item No.: 249-116**

Screwless end stop; 6 mm wide; for DIN-rail 35 x 15 and 35 x 7.5; gray

## 1.2.4 Insulation stop

### 1.2.4.1 Insulation stop



**Item No.: 280-470**

Insulation stop; 0.08 - 0.2 mm<sup>2</sup> "s" (0.14 mm<sup>2</sup> "f-st"); 5 pieces/strip; white



**Item No.: 280-471**

Insulation stop; 0.25 - 0.5 mm<sup>2</sup>; 5 pieces/strip; light gray



**Item No.: 280-472**

Insulation stop; 0.75 - 1 mm<sup>2</sup>; 5 pieces/strip; black

## 1.2.5 Jumper

### 1.2.5.1 Jumper



**Item No.: 280-490**

Jumper; 10-way; insulated; gray



**Item No.: 280-482**

Jumper; 2-way; insulated; gray



**Item No.: 280-492**

Jumper; 2-way; insulated; gray



**Item No.: 280-483**

Jumper; 3-way; insulated; gray



**Item No.: 280-484**

Jumper; 4-way; insulated; gray



**Item No.: 280-485**

Jumper; 5-way; insulated; gray



**Item No.: 280-402**

Jumper; insulated; gray



**Item No.: 280-409**

Jumper; insulated; gray



**Item No.: 780-452**

Staggered jumper; from 1 to 2; insulated; gray



**Item No.: 780-453**

Staggered jumper; from 1 to 3; insulated; gray



**Item No.: 780-454**

Staggered jumper; from 1 to 4; insulated; gray



**Item No.: 780-455**

Staggered jumper; from 1 to 5; insulated; gray



**Item No.: 780-456**

Staggered jumper; from 1 to 6; insulated; gray



**Item No.: 780-457**

Staggered jumper; from 1 to 7; insulated; gray



**Item No.: 780-458**

Staggered jumper; from 1 to 8; insulated; gray



**Item No.: 281-421**

Vertical jumper; insulated; gray



**Item No.: 709-110**

Wire commoning chain; 2.5 mm<sup>2</sup>; insulated; black



**Item No.: 709-111**

Wire commoning chain; 2.5 mm<sup>2</sup>; insulated; black



**Item No.: 709-112**

Wire commoning chain; 2.5 mm<sup>2</sup>; insulated; black



**Item No.: 210-103**

Wire commoning chain; insulated; black



**Item No.: 210-123**

Wire commoning chain; insulated; blue

## 1.2.6 Marking

### 1.2.6.1 Marker



**Item No.: 793-5501**

WMB marking card; as card; for terminal block width 5 - 17.5 mm; stretchable 5 - 5.2 mm; plain; snap-on type; white



**Item No.: 793-501**

WMB marking card; as card; not stretchable; plain; snap-on type; white



**Item No.: 2009-115**

WMB-Inline; for Smart Printer; 1500 pieces on roll; stretchable 5 - 5.2 mm; plain; snap-on type; white

## 1.2.7 Protective warning marker

### 1.2.7.1 Cover



**Item No.: 280-415**

Protective warning marker; for 5 terminal blocks; with high-voltage symbol, black; yellow

## 1.2.8 Push-in type wire jumper

### 1.2.8.1 Jumper



**Item No.: 249-126**

Push-in type wire jumper; 0.75 mm<sup>2</sup>; insulated; 110 mm long; black



**Item No.: 249-123**

Push-in type wire jumper; 0.75 mm<sup>2</sup>; insulated; 180 mm long; black



**Item No.: 249-127**

Push-in type wire jumper; 0.75 mm<sup>2</sup>; insulated; 250 mm long; black



**Item No.: 249-125**

Push-in type wire jumper; insulated; 60 mm long; black

## 1.2.9 Test and measurement

### 1.2.9.1 Testing accessories



**Item No.: 249-142**

L-type end module; modular; with rigid contact pin; End module; 1,50 mm<sup>2</sup>; gray



**Item No.: 249-141**

L-type test plug module; modular; with spring-loaded contact pin; Center module; 1,50 mm<sup>2</sup>; gray

## 1.2.10 Tool

### 1.2.10.1 Operating tool



**Item No.: 210-658**

Operating tool; Blade: 3.5 x 0.5 mm; with a partially insulated shaft; angled; short; multicoloured



**Item No.: 210-720**

Operating tool; Blade: 3.5 x 0.5 mm; with a partially insulated shaft; multicoloured

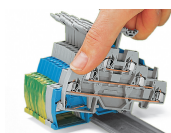


**Item No.: 210-657**

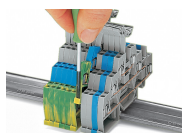
Operating tool; Blade: 3.5 x 0.5 mm; with a partially insulated shaft; short; multicoloured

## Installation Notes

### Installation

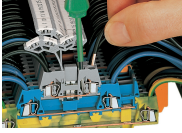


Snapping a terminal block onto the DIN-rail.



Removing a terminal block from the assembly.

## Conductor termination

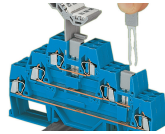
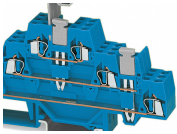


### CAGE CLAMP® connection

Inserting a conductor.

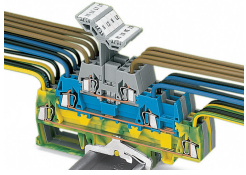
With ferruled conductors, it is necessary to use a terminal block one size smaller than the conductor's nominal cross-section.

## Commoning

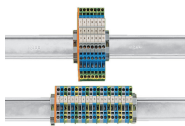


A vertical jumper commons the upper and lower decks, creating a 6-conductor feed-through terminal block in one housing. Two adjacent triple-deck terminal blocks may be commoned together on the same deck using a push-in adjacent jumper.

Combining vertical and adjacent jumpers.



Three-conductor power circuit with additional branch circuit tapping



Use 67% less rail space with triple-deck terminal blocks.

## Marking



Labeling via WMB Multi Marking System.