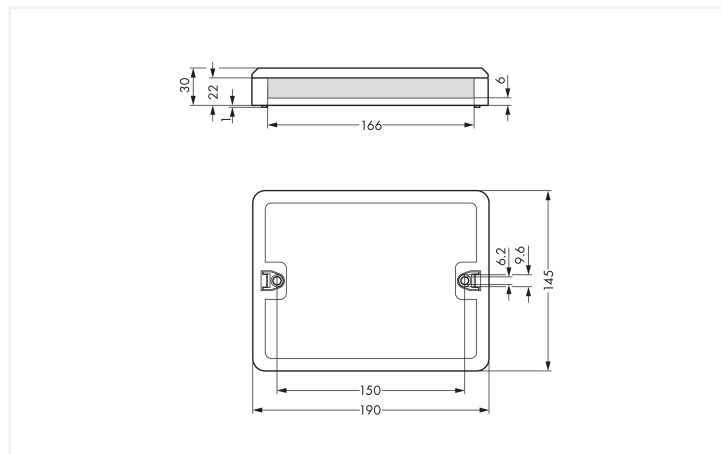
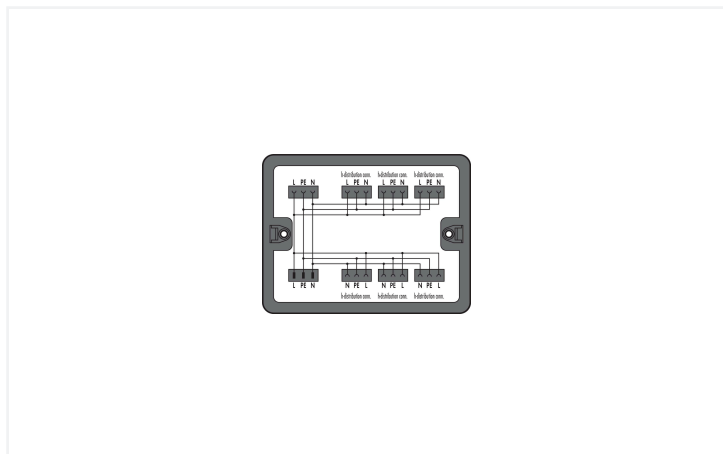


Data Sheet | Item Number: 899-631/334-000

Distribution box; Single-phase current (230 V); 1 input; 13 outputs; Cod. A; MIDI;
black

<https://www.wago.com/899-631/334-000>



Color: ■ black

Dimensions in mm

Distribution box WINSTA® A coding

The distribution box from the WINSTA® product line with protection against mismatching is the intelligent solution for straightforward electrical installation. With WAGO, you benefit from a large selection of accessories for the WINSTA® product line. The mechanical coding and color coding of the distribution box ensure error-free installation of the individual components – including protection against mismatching. The distribution box is protected against ingress by solid objects in accordance with protection type IP20 (When mated: IP2xC (These compact connectors are not designed for use in open, easily accessible areas!)). Thanks to the color coding and mechanical A coding of WINSTA® distribution boxes, you can clearly distinguish different circuits. Important parameters in the selection of a distribution box are the rated current and voltage: They provide information about possible domains of use and applications. This product has a current rating of 25 A – so it is also suitable for powerful loads.

Lower costs through fast commissioning and elimination of service expenses – solutions from WINSTA®

WINSTA® is the pluggable connection system that is perfectly tailored to the strict requirements of electrical installation. It ensures error-free installation of cables and components, quickly and reliably. Take advantage of the pluggable version of our maintenance-free spring pressure connection technology too! Plan your installation with with protection type IP20 from WAGO.

- effective protection against mismatching
- intuitive distribution box marking
- saves time, since no wiring is required at the construction site
- with A coding for a large number of uses
- convenient installation and commissioning

Electrical data

Ratings per	IEC/EN 60664-1		
Overtoltage category	III	III	II
Pollution degree	3	2	2
Nominal voltage	250 V	-	-
Rated impulse withstand voltage	4 kV	-	-
Rated current	25 A	-	-

General information

Note on contact resistance	approx. 1 mΩ contact resistance approx. 0.25 mΩ contact transition (plug/ socket)
----------------------------	---

Connection Data

Connection 1

Connection type	Input
Pluggable connector	MIDI plug, 3-pole (770-213)

Connection 2

Connection type	Output
Connector	MIDI socket, 3-pole (770-203)

Physical data

Width	190 mm / 7.48 inches
Height	31 mm / 1.22 inches
Depth	145 mm / 5.709 inches

Mechanical data

Internal wiring	4 mm ²
Use	Single-phase current (230 V)
Coding	A
Mounting type	Wall, screw mount Installation on mounting plate
Protection type	IP20; When mated: IP2xC (These compact connectors are not designed for use in open, easily accessible areas!)

Plug-in connection

Mismating protection	Yes
Note on mismating protection	All <i>WINSTA</i> ® components are 100% protected against mismating when: a.) plugging different numbers of poles b.) plugging while rotated 180 c.) plugging while laterally staggered d.) plugging one pole
Locking of plug-in connection	Locking lever

Material data

Note (material data)	Information on material specifications can be found here
Color	black
Insulation material (main housing)	Polyamide (PA66)
Flammability class per UL94	V0
Contact material	Copper or copper alloy; surface-treated
Contact Plating	Tin
Fire load	9.961 MJ
Weight	565 g

Environmental requirements

Processing temperature	-5 ... +40 °C
Continuous operating temperature	-35 ... +85 °C
Note on continuous operating temperature	Insulating parts for temperatures ≤ 105 °C

Commercial data

PU (SPU)	1 pcs
Packaging type	Box
Country of origin	DE
GTIN	4055143303279
Customs tariff number	85366990990

Product Classification

UNSPSC	39121308
eCl@ss 10.0	27-44-06-03
eCl@ss 9.0	27-44-06-03
ETIM 9.0	EC002567
ETIM 10.0	EC002567
ECCN	NO US CLASSIFICATION

Environmental Product Compliance

RoHS Compliance Status	Compliant, No Exemption
------------------------	-------------------------

Downloads

Environmental Product Compliance

Compliance Search	
Environmental Product Compliance 899-631/334-000	↓

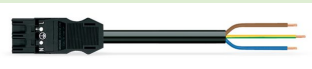
Documentation

Bid Text			
899-631/334-000	19.02.2019	xml 3.40 KB	↓
899-631/334-000	11.03.2015	doc 25.00 KB	↓
ausschreiben.de 899-631/334-000			↓

1 Compatible Products

1.1 System counterpart

1.1.1 Cable assembly



Item No.: 771-9993/206-101
pre-assembled connecting cable; Eca; Plug/open-ended; 3-pole; Cod. A; H05VV-F 3G 1.5 mm²; 1 m; 1,50 mm²; black



Item No.: 771-9993/106-101
pre-assembled connecting cable; Eca; Socket/open-ended; 3-pole; Cod. A; H05VV-F 3G 1.5 mm²; 1 m; 1,50 mm²; black



Item No.: 771-9993/006-101
pre-assembled interconnecting cable; Eca; Socket/plug; 3-pole; Cod. A; H05VV-F 3G 1.5 mm²; 1 m; 1,50 mm²; black

1.1.2 Female connector/socket



Item No.: 770-203

Socket; 3-pole; Cod. A; black



Item No.: 770-103

Socket; with strain relief housing; 3-pole;
Cod. A; 4,00 mm²; black



Item No.: 770-203/035-000

Socket; with strain relief housing; 3-pole;
Cod. A; 4,00 mm²; black

1.1.3 Male connector/plug



Item No.: 770-213

Plug; 3-pole; Cod. A; black



Item No.: 770-113

Plug; with strain relief housing; 3-pole;
Cod. A; 4,00 mm²; black



Item No.: 770-213/035-000

Plug; with strain relief housing; 3-pole;
Cod. A; 4,00 mm²; black

1.2 Optional Accessories

1.2.1 Installation

1.2.1.1 Mounting accessories



Item No.: 899-680

Mounting plate; for distribution boxes; gray

Installation Notes

Installation

