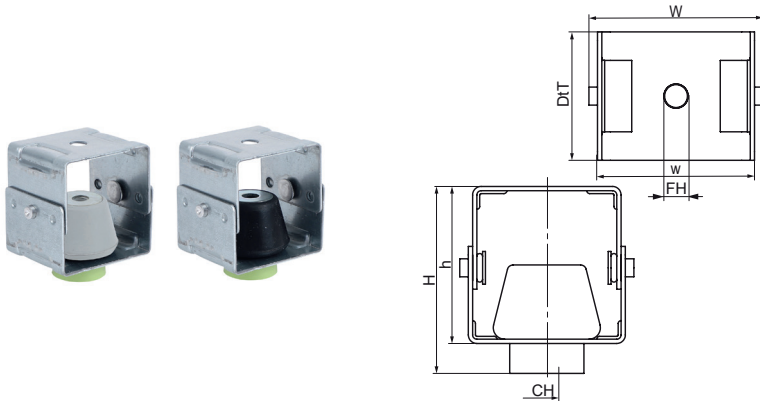


## Walraven VibraTek® HR-1 Rubber Hanger

(L20545)

rubber hanger for isolation of suspended ventilation and AC systems



### Features & benefits

- small footprint allows placement in compact spaces
- simple to install and adaptable to a sloping roof or ceiling, part of the metal housing swivels
- hardness 45 / 50 Shore A
- material: metal parts made of steel, rubber parts made of EPDM
- zinc plated
- working temperature range -20 °C till 90 °C

Product Number	Total Height	Total Width	Total Depth	Height	Width	Fixing Hole	Connection Hole	Colour	Recommended Minimum Load Faz	Recommended Maximum Load Faz	Maximum Static Deflection
Reference Letter	H	W	DeT	h	w	FH	CH		N	N	mm
Unit description	mm	mm	mm	mm	mm	mm	mm				
2800800300	66	61	45	55	55	8.5	8	Zinc	5	250	3
2800800450	66	61	45	55	55	8.5	8	Zinc	10	400	3