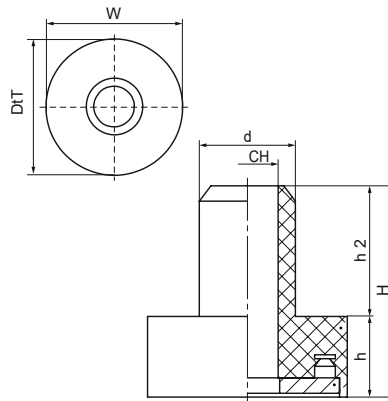


## Walraven VibraTek® SA-1 Silent Absorber

(L20548)

silent rubber absorber for isolating metal to metal contact



### Features & benefits

- a versatile viscoelastic rubber absorber for preventing metal-to-metal contact in joined or fastened surfaces
- simple installation
- with Ø 8mm hole for use with M8 threaded rods
- prevents transmission of vibration and noise
- working temperature range -10 °C till 45 °C

Product Number	Total Height	Total Width	Total Depth	Height	Height 2	Connection Hole	Diameter	Recommended Minimum Load Faz	Recommended Maximum Load Faz	Maximum Static Deflection
Reference Letter	H	W	DtT	h	h 2	CH	d			
Unit description	mm	mm	mm	mm	mm	mm	mm	N	N	mm
2800900300	28	26	26	10.5	17	8	12.5	10	180	3